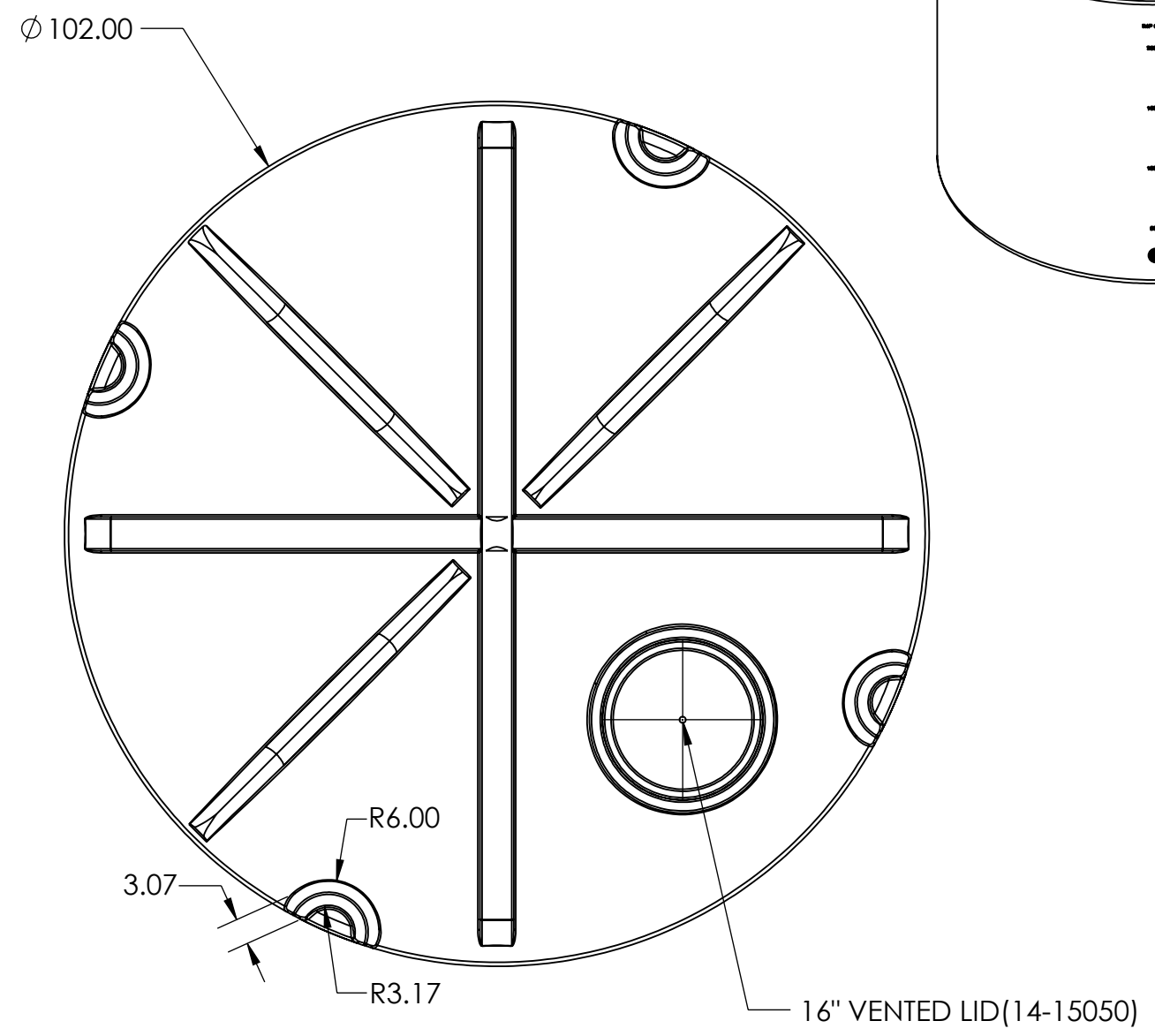
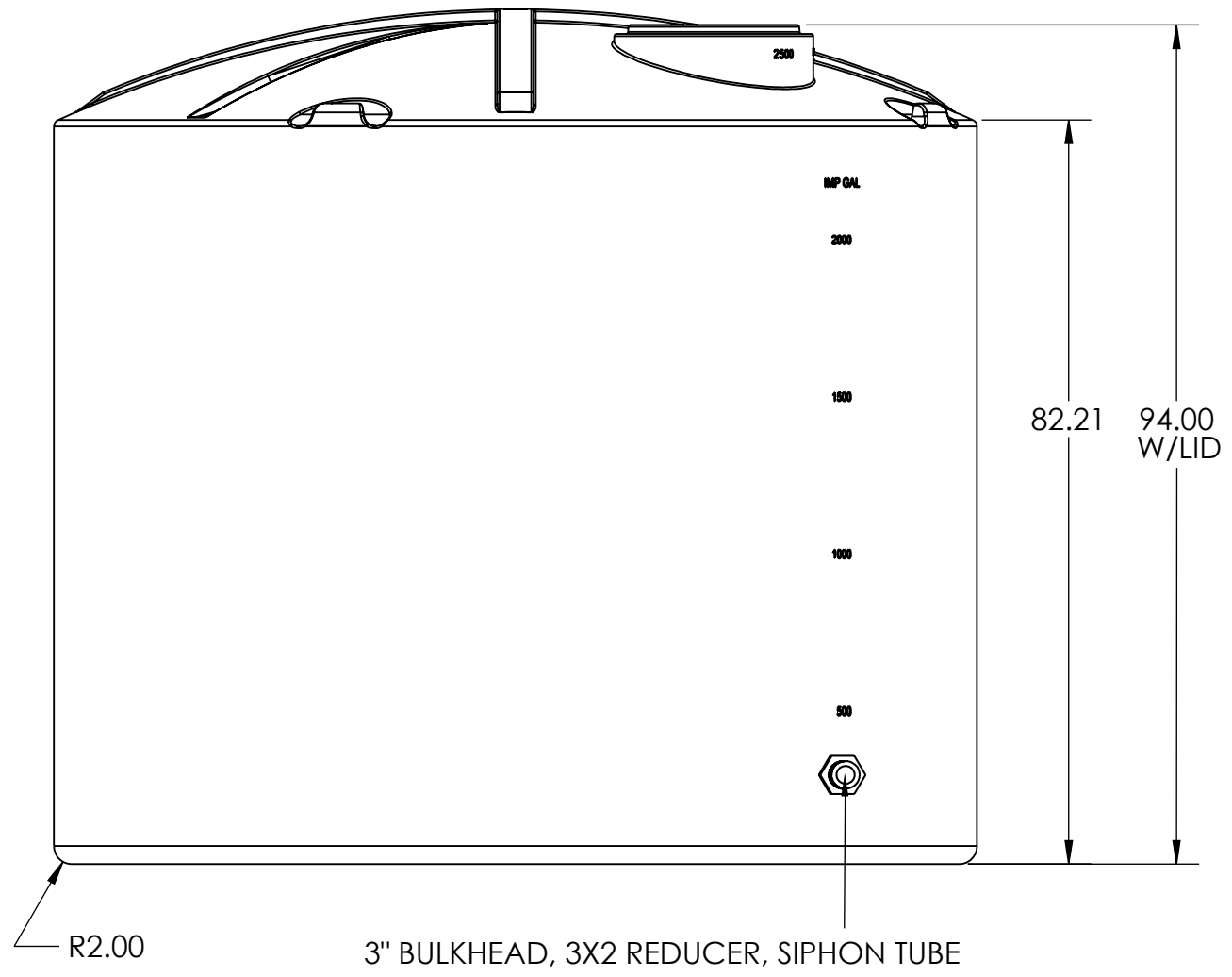


8 7 6 5 4 3 2 1

D
C
B
A

D
C
B
A



- NOTES:**
- 1) ONE PIECE ROTATIONALLY MOLDED
 - 2) TRANSLUCENT
 - 3) NSF STANDARD 51 POTABLE WATER APPROVED RESIN
 - 4) CALIBRATED IN IMPERIAL GALLONS
 - 5) FIVE YEAR WARRANTY
 - 6) UV STABILIZED

UNLESS OTHERWISE SPECIFIED ALL DIMENSIONS ARE IN INCHES		BY	MM/DD/YY
DRAWN		IDC	11/07/24
CHECKED			
ENG APPR.			
PROPRIETARY AND CONFIDENTIAL			
DO NOT SCALE DRAWING		THE INFORMATION CONTAINED IN THIS DRAWING IS THE SOLE PROPERTY OF POLYWEST LTD. ANY REPRODUCTION IN PART OR AS A WHOLE WITHOUT THE WRITTEN PERMISSION OF POLYWEST IS PROHIBITED.	
<p>THIRD ANGLE PROJECTION</p>			

POLYWEST

TITLE: Vertical Tank 2500 Imperial Gallon			
SIZE B	PART NO. VT2500	REV A	
SCALE: 1:48	SOLIDWORKS	SHEET 1 OF 1	

8 7 6 5 4 3 2 1