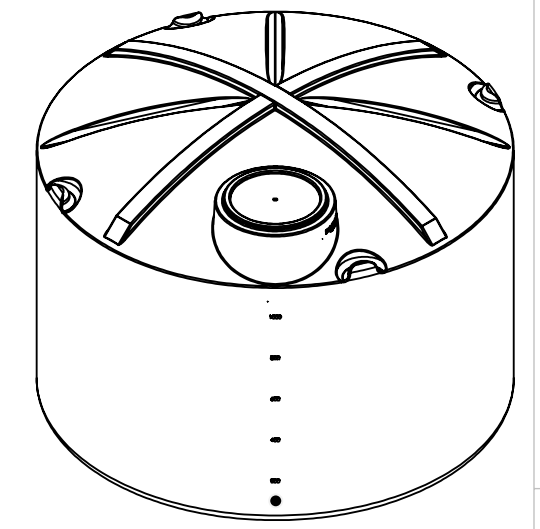
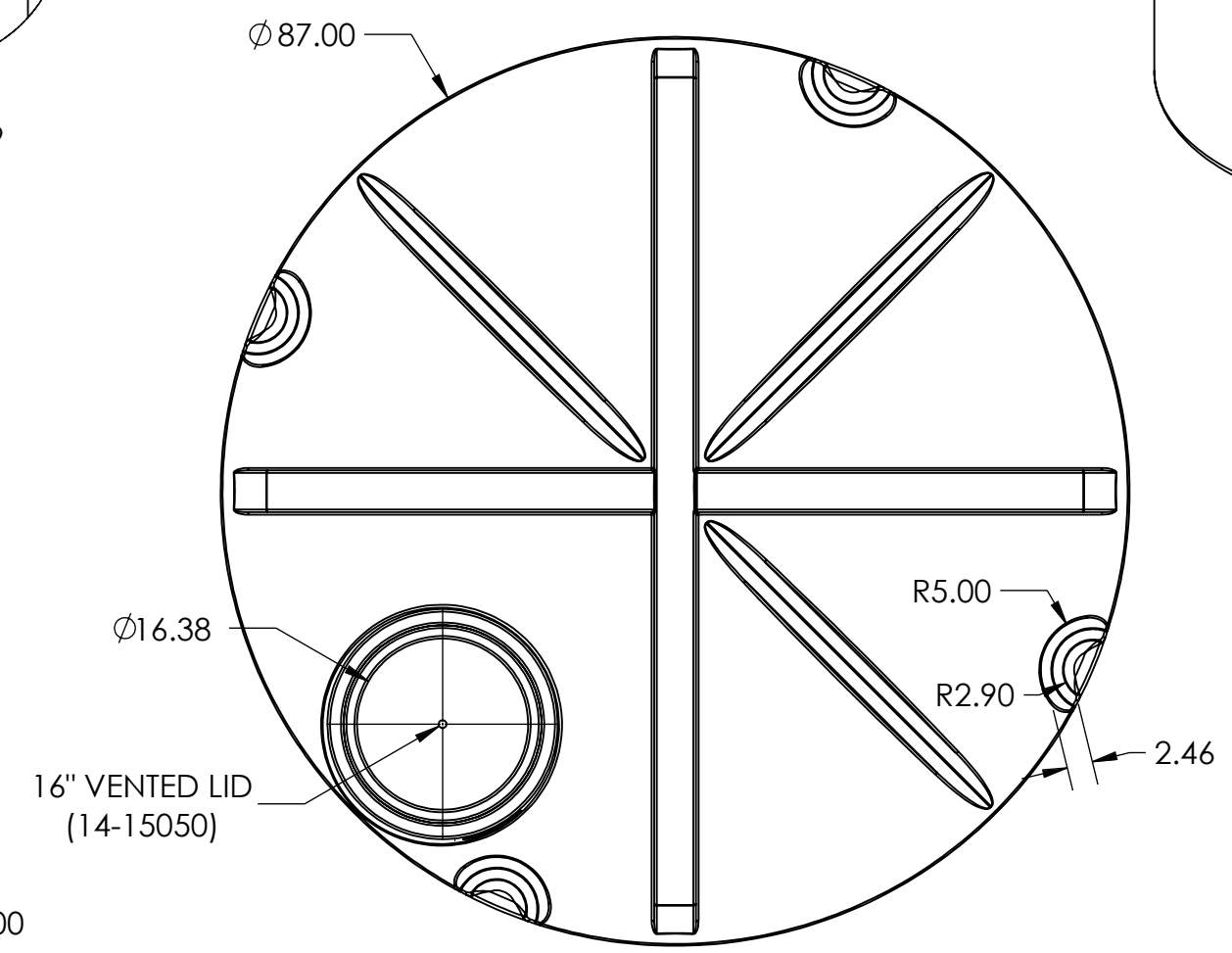
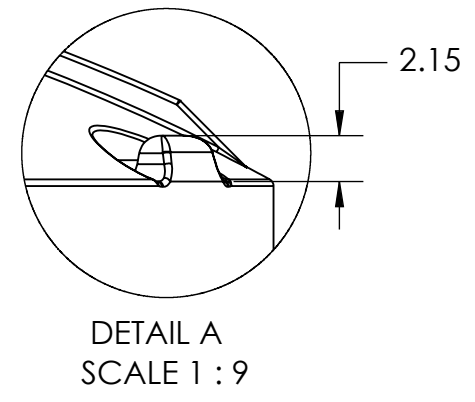
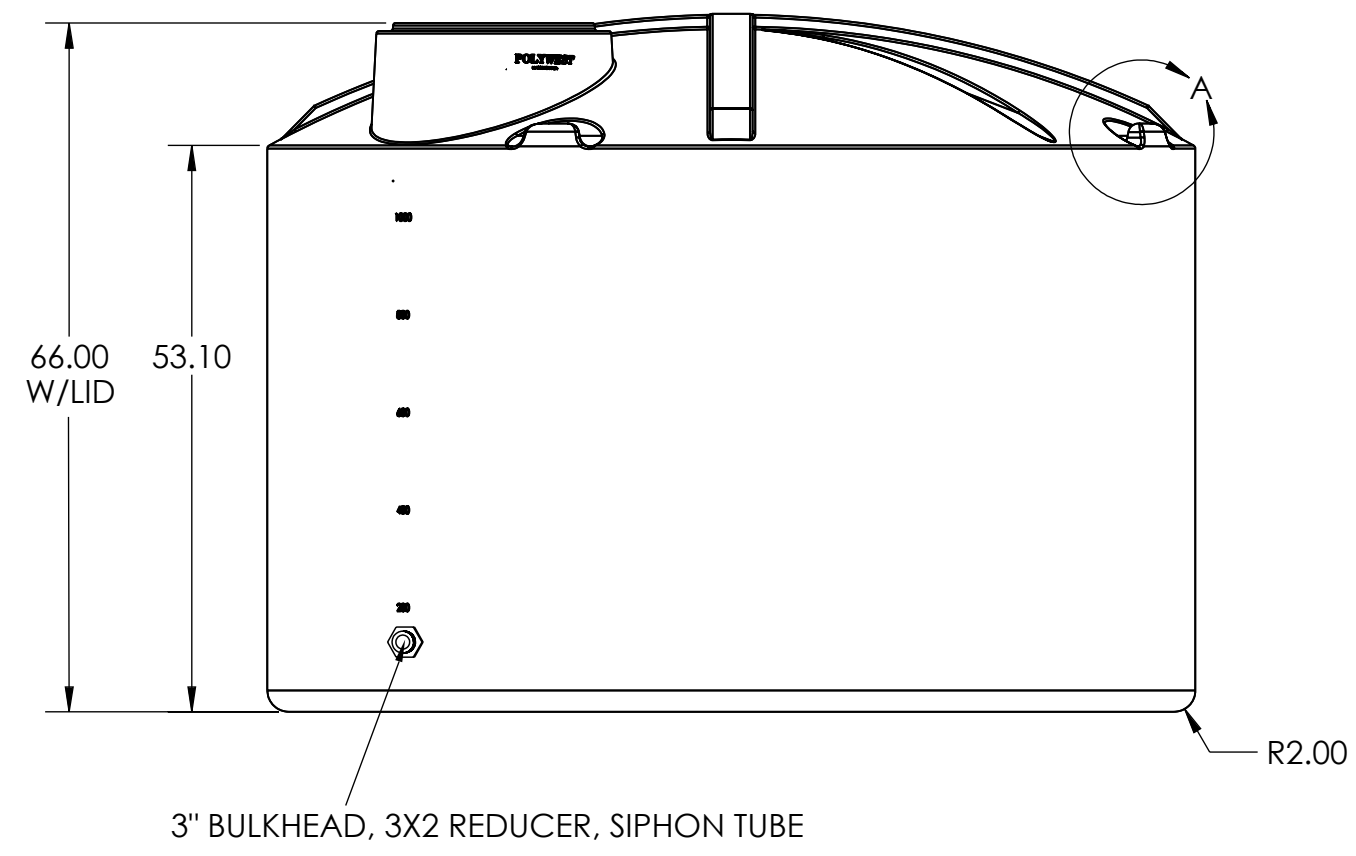


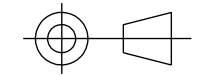
8 7 6 5 4 3 2 1

D
C
B
A

D
C
B
A



- NOTES:**
- 1) ONE PIECE ROTATIONALLY MOLDED
 - 2) TRANSLUCENT
 - 3) NSF STANDARD 51 POTABLE WATER APPROVED RESIN
 - 4) CALIBRATED IN IMPERIAL GALLONS
 - 5) FIVE YEAR WARRANTY
 - 6) UV STABILIZED

UNLESS OTHERWISE SPECIFIED ALL DIMENSIONS ARE IN INCHES		
TOLERANCES:		
FRACTIONAL	±1/32	
ONE PLACE DECIMAL	±.120	
TWO PLACE DECIMAL	±.060	
THREE PLACE DECIMAL	±.030	
HOLE DIA.	±.015	
BEND RADII	±.030	
ANGULAR	±1°	
DO NOT SCALE DRAWING		
 THIRD ANGLE PROJECTION		
BY	MM/DD/YY	
DRAWN	IDC	11/07/2024
CHECKED		
ENG APPR.		
PROPRIETARY AND CONFIDENTIAL		
THE INFORMATION CONTAINED IN THIS DRAWING IS THE SOLE PROPERTY OF POLYWEST LTD. ANY REPRODUCTION IN PART OR AS A WHOLE WITHOUT THE WRITTEN PERMISSION OF POLYWEST IS PROHIBITED.		

POLYWEST

TITLE:		
Vertical Tank 1250 Imperial Gallon		
SIZE	PART NO.	REV
B	VT1250	B
SCALE: 1:32	SOLIDWORKS	SHEET 1 OF 1

8 7 6 5 4 3 2 1