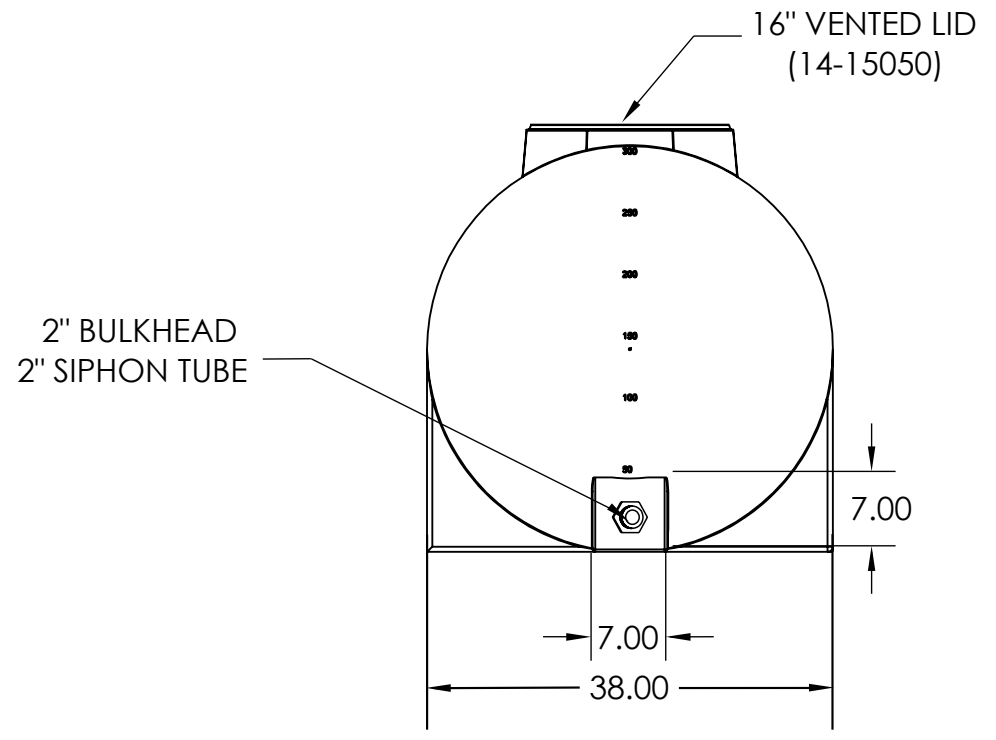
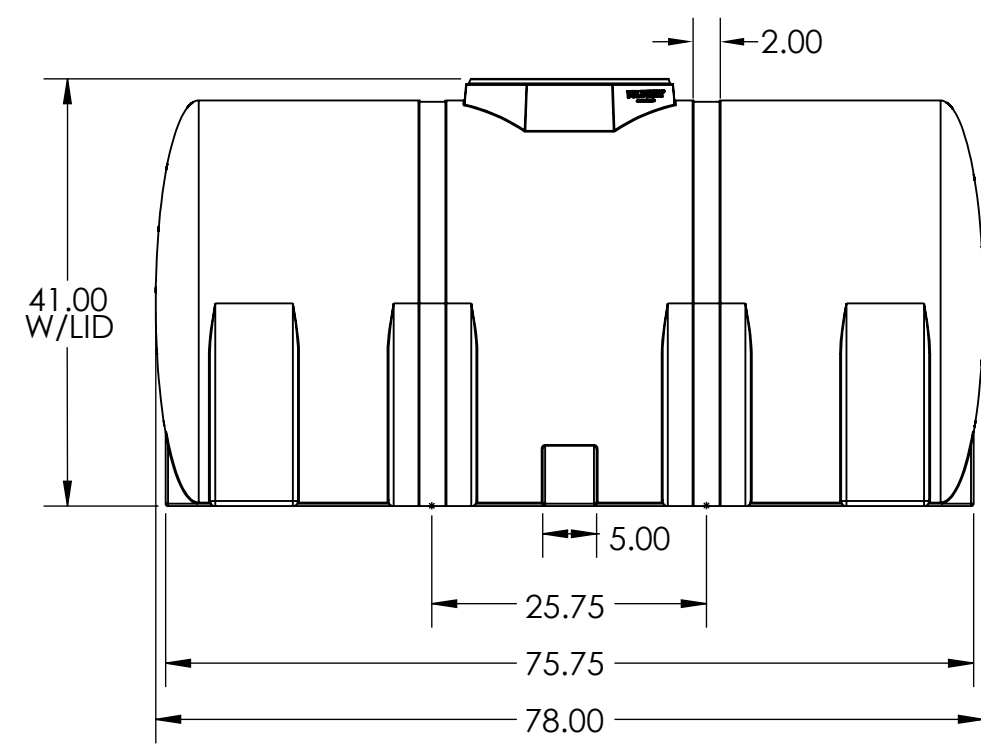
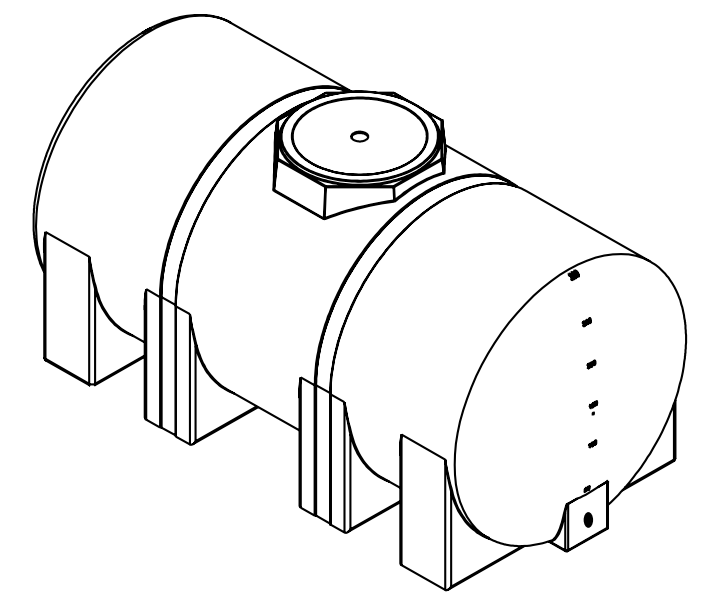
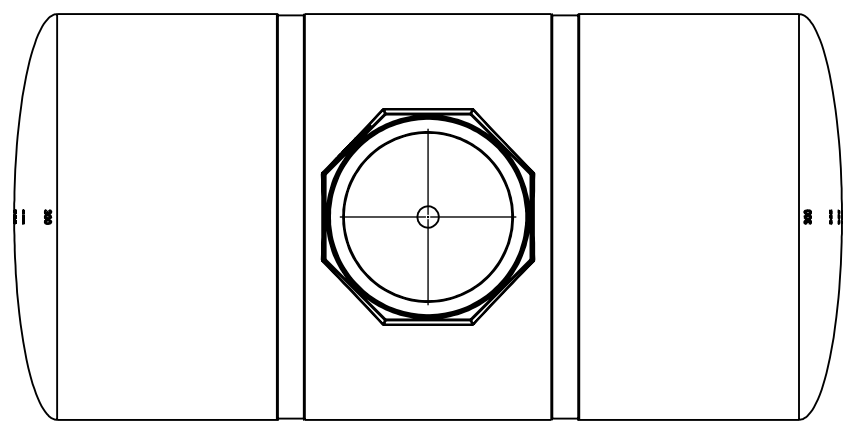


8 7 6 5 4 3 2 1

D
C
B
A



- NOTES:**
- 1) ONE PIECE ROTATIONALLY MOLDED
 - 2) TRANSLUCENT
 - 3) NSF STANDARD 51 POTABLE WATER APPROVED RESIN
 - 4) CALIBRATED IN IMPERIAL GALLONS
 - 5) FIVE YEAR WARRANTY
 - 6) UV STABILIZED

UNLESS OTHERWISE SPECIFIED ALL DIMENSIONS ARE IN INCHES		BY	MM/DD/YY
DRAWN	IDC	11/07/2024	
CHECKED			
ENG APPR.			
PROPRIETARY AND CONFIDENTIAL			
DO NOT SCALE DRAWING		THE INFORMATION CONTAINED IN THIS DRAWING IS THE SOLE PROPERTY OF POLYWEST LTD. ANY REPRODUCTION IN PART OR AS A WHOLE WITHOUT THE WRITTEN PERMISSION OF POLYWEST IS PROHIBITED.	
 THIRD ANGLE PROJECTION			

POLYWEST

TITLE: Horizontal Leg Tank 300 Imperial Gallon

SIZE B	PART NO. HL0300	REV A
SCALE: 1:24	SOLIDWORKS	SHEET 1 OF 1

8 7 6 5 4 3 2 1