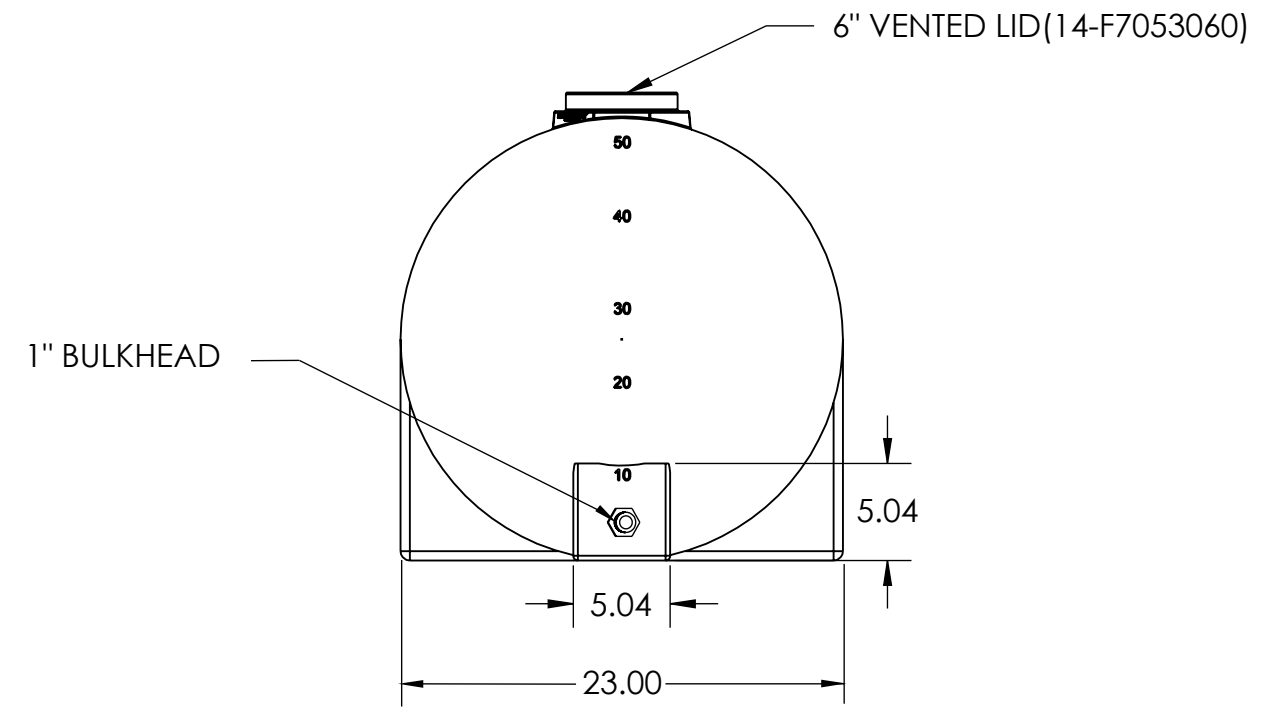
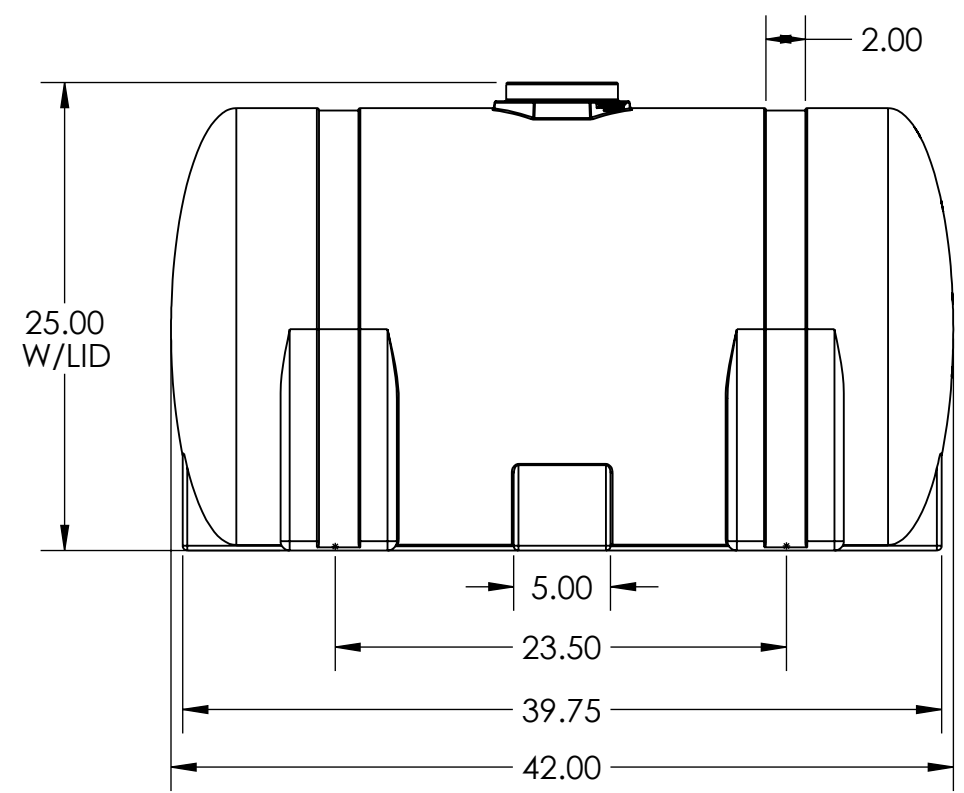
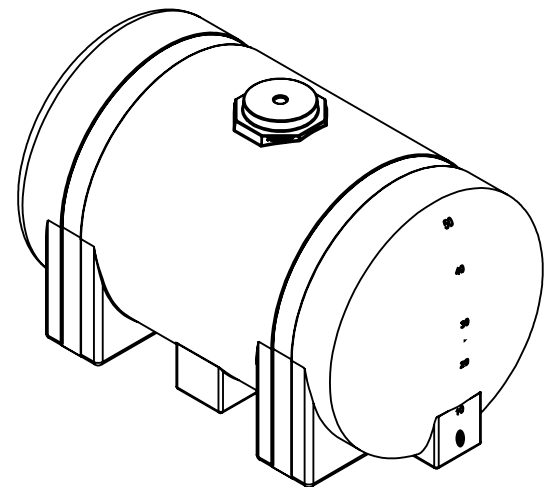
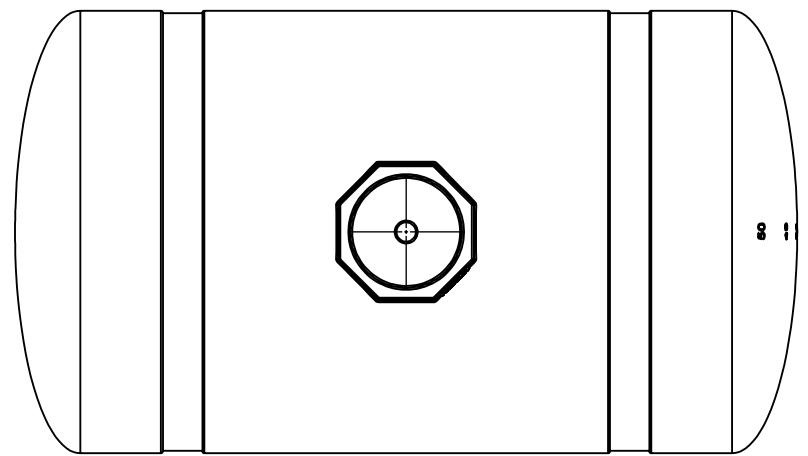


8 7 6 5 4 3 2 1

D  
C  
B  
A

D  
C  
B  
A



- NOTES:**
- 1) ONE PIECE ROTATIONALLY MOLDED
  - 2) TRANSLUCENT
  - 3) NSF STANDARD 51 POTABLE WATER APPROVED RESIN
  - 4) CALIBRATED IN IMPERIAL GALLONS
  - 5) FIVE YEAR WARRANTY
  - 6) UV STABILIZED

UNLESS OTHERWISE SPECIFIED  
ALL DIMENSIONS ARE IN INCHES

**TOLERANCES:**  
 FRACTIONAL ±1/32  
 ONE PLACE DECIMAL ±.120  
 TWO PLACE DECIMAL ±.060  
 THREE PLACE DECIMAL ±.030  
 HOLE DIA. ±.015  
 BEND RADII ±.030  
 ANGULAR ±1°

DO NOT SCALE DRAWING

THIRD ANGLE PROJECTION

	BY	MM/DD/YY
DRAWN	IDC	11/07/2024
CHECKED		
ENG APPR.		
<b>PROPRIETARY AND CONFIDENTIAL</b>		
THE INFORMATION CONTAINED IN THIS DRAWING IS THE SOLE PROPERTY OF POLYWEST LTD. ANY REPRODUCTION IN PART OR AS A WHOLE WITHOUT THE WRITTEN PERMISSION OF POLYWEST IS PROHIBITED.		

**POLYWEST**

TITLE:		
Horizontal Leg Tank 55 Imperial Gallon		
SIZE	PART NO.	REV
<b>B</b>	<b>HL0055</b>	<b>A</b>
SCALE: 1:12	SOLIDWORKS	SHEET 1 OF 1

8 7 6 5 4 3 2 1