

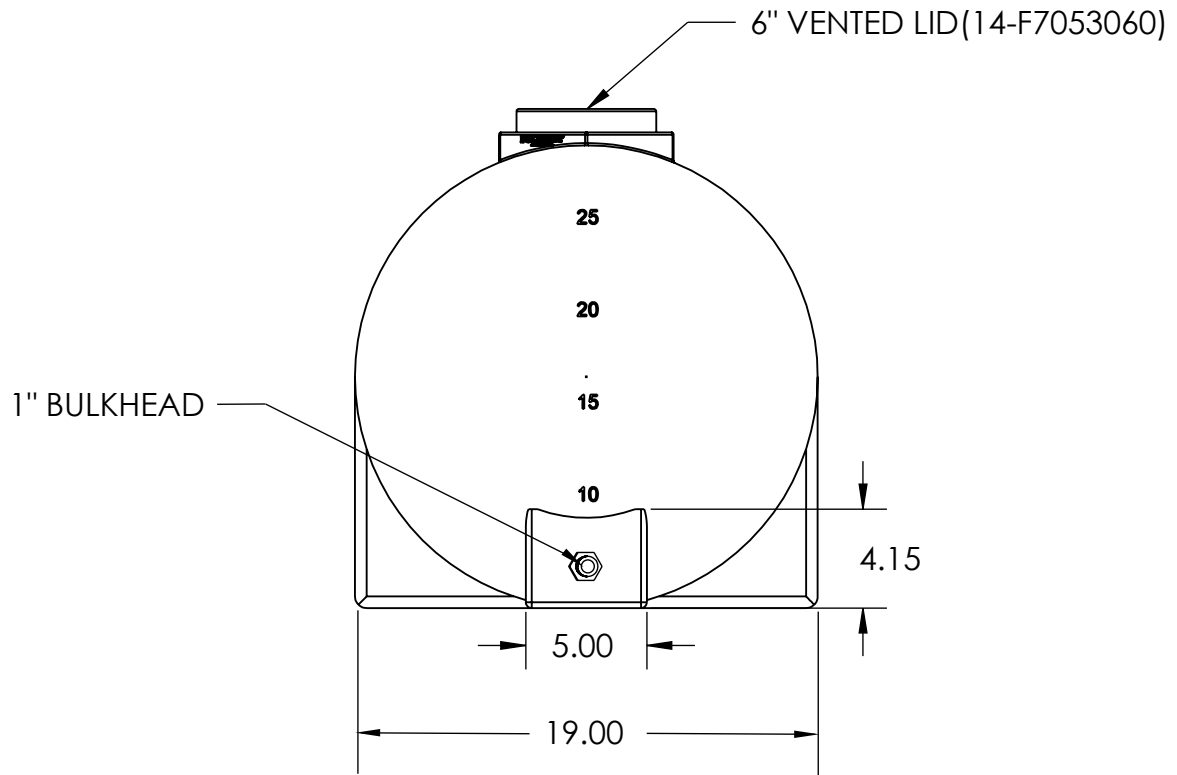
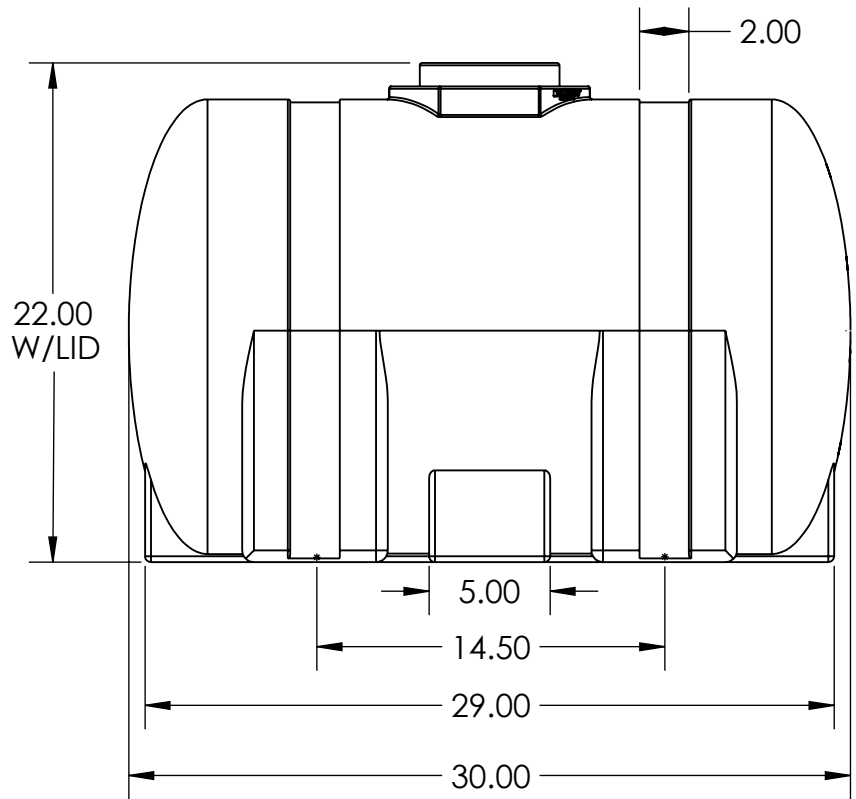
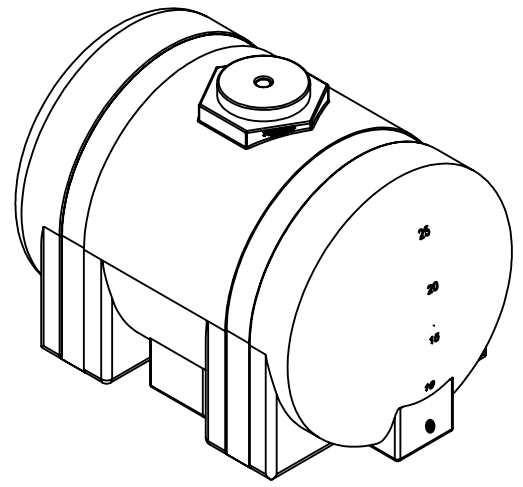
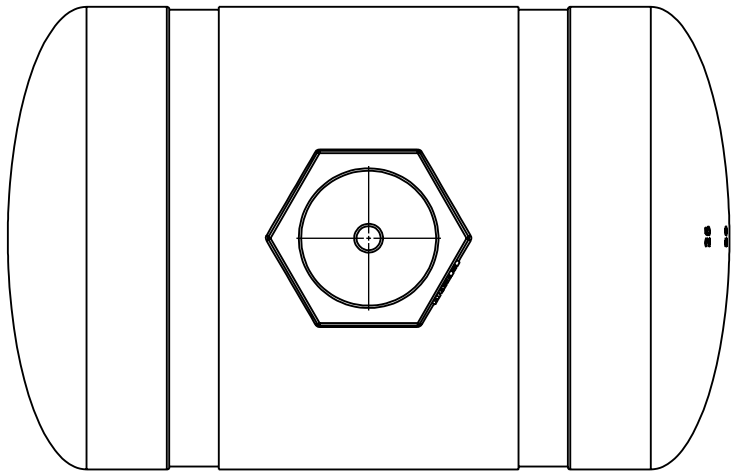
8 7 6 5 4 3 2 1

D

C

B

A

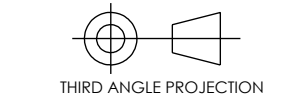


- NOTES:**
- 1) ONE PIECE ROTATIONALLY MOLDED
 - 2) TRANSLUCENT
 - 3) NSF STANDARD 51 POTABLE WATER APPROVED RESIN
 - 4) CALIBRATED IN IMPERIAL GALLONS
 - 5) FIVE YEAR WARRANTY
 - 6) UV STABILIZED

UNLESS OTHERWISE SPECIFIED
ALL DIMENSIONS ARE IN INCHES

TOLERANCES:
 FRACTIONAL ±1/32
 ONE PLACE DECIMAL ±.120
 TWO PLACE DECIMAL ±.060
 THREE PLACE DECIMAL ±.030
 HOLE DIA. ±.015
 BEND RADII ±.030
 ANGULAR ±1°

DO NOT SCALE DRAWING



	BY	MM/DD/YY
DRAWN	IDC	11/07/2024
CHECKED		
ENG APPR.		

PROPRIETARY AND CONFIDENTIAL

THE INFORMATION CONTAINED IN THIS DRAWING IS THE SOLE PROPERTY OF POLYWEST LTD. ANY REPRODUCTION IN PART OR AS A WHOLE WITHOUT THE WRITTEN PERMISSION OF POLYWEST IS PROHIBITED.

POLYWEST®

TITLE: Horizontal Leg Tank 30 Imperial Gallon

SIZE	PART NO.	REV
B	HL0030	A
SCALE: 1:12	SOLIDWORKS	SHEET 1 OF 1

8 7 6 5 4 3 2 1