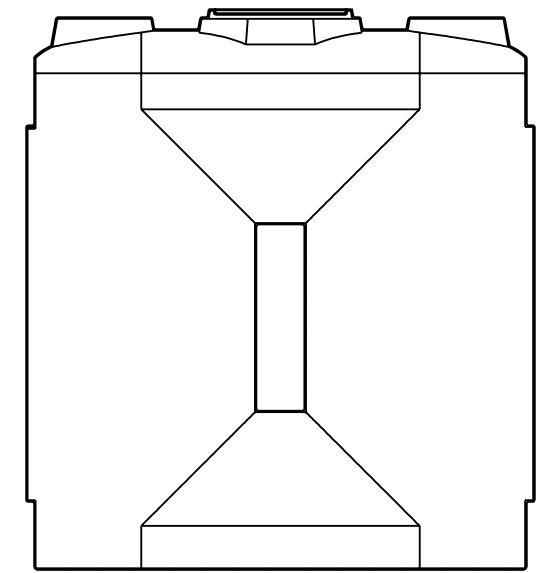
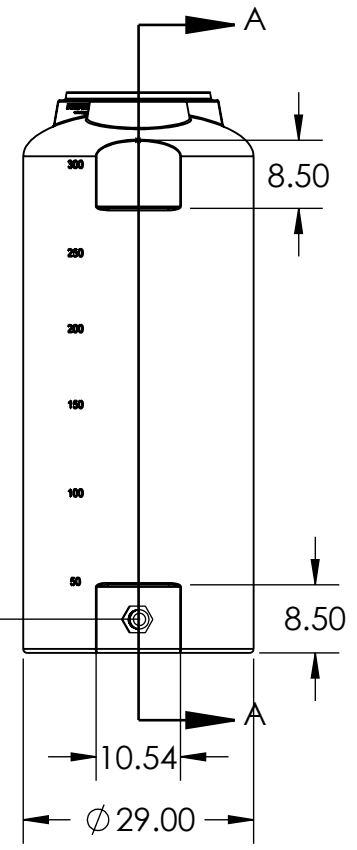
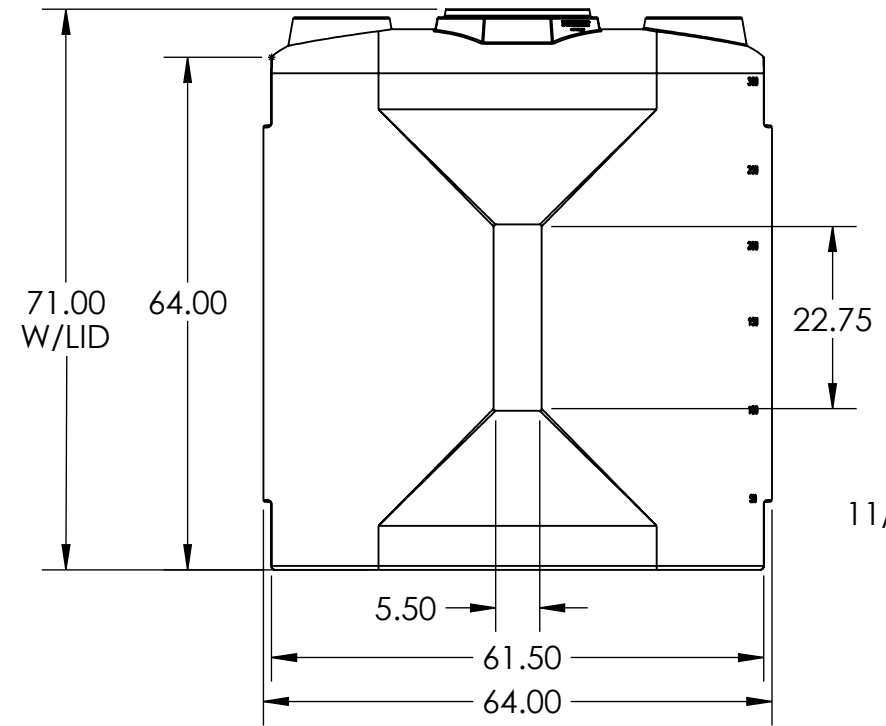
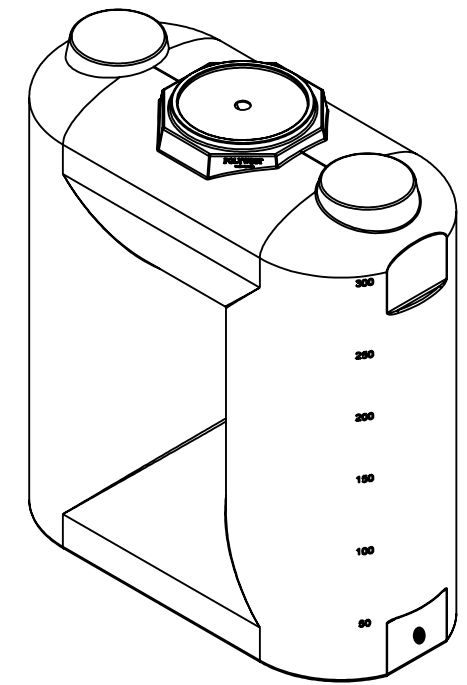


16" VENTED LID(14-15050)



SECTION A-A

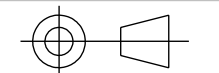
- NOTES:**
- 1) ONE PIECE ROTATIONALLY MOLDED
 - 2) TRANSLUCENT
 - 3) NSF STANDARD 51 POTABLE WATER APPROVED RESIN
 - 4) CALIBRATED IN IMPERIAL GALLONS
 - 5) FIVE YEAR WARRANTY
 - 6) UV STABILIZED

UNLESS OTHERWISE SPECIFIED ALL DIMENSIONS ARE IN INCHES

TOLERANCES:

FRACTIONAL	± 1/32
ONE PLACE DECIMAL	± .120
TWO PLACE DECIMAL	± .060
THREE PLACE DECIMAL	± .030
HOLE DIA.	± .015
BEND RADII	± .030
ANGULAR	± 1°

DO NOT SCALE DRAWING



THIRD ANGLE PROJECTION

	BY	MM/DD/YY
DRAWN	IDC	11/07/2024
CHECKED		
ENG APPR.		

PROPRIETARY AND CONFIDENTIAL

THE INFORMATION CONTAINED IN THIS DRAWING IS THE SOLE PROPERTY OF POLYWEST LTD. ANY REPRODUCTION IN PART OR AS A WHOLE WITHOUT THE WRITTEN PERMISSION OF POLYWEST IS PROHIBITED.



TITLE: **Narrow Profile Vertical Tank 330 Imperial Gallon**

SIZE	PART NO.	REV
B	NP0330	A