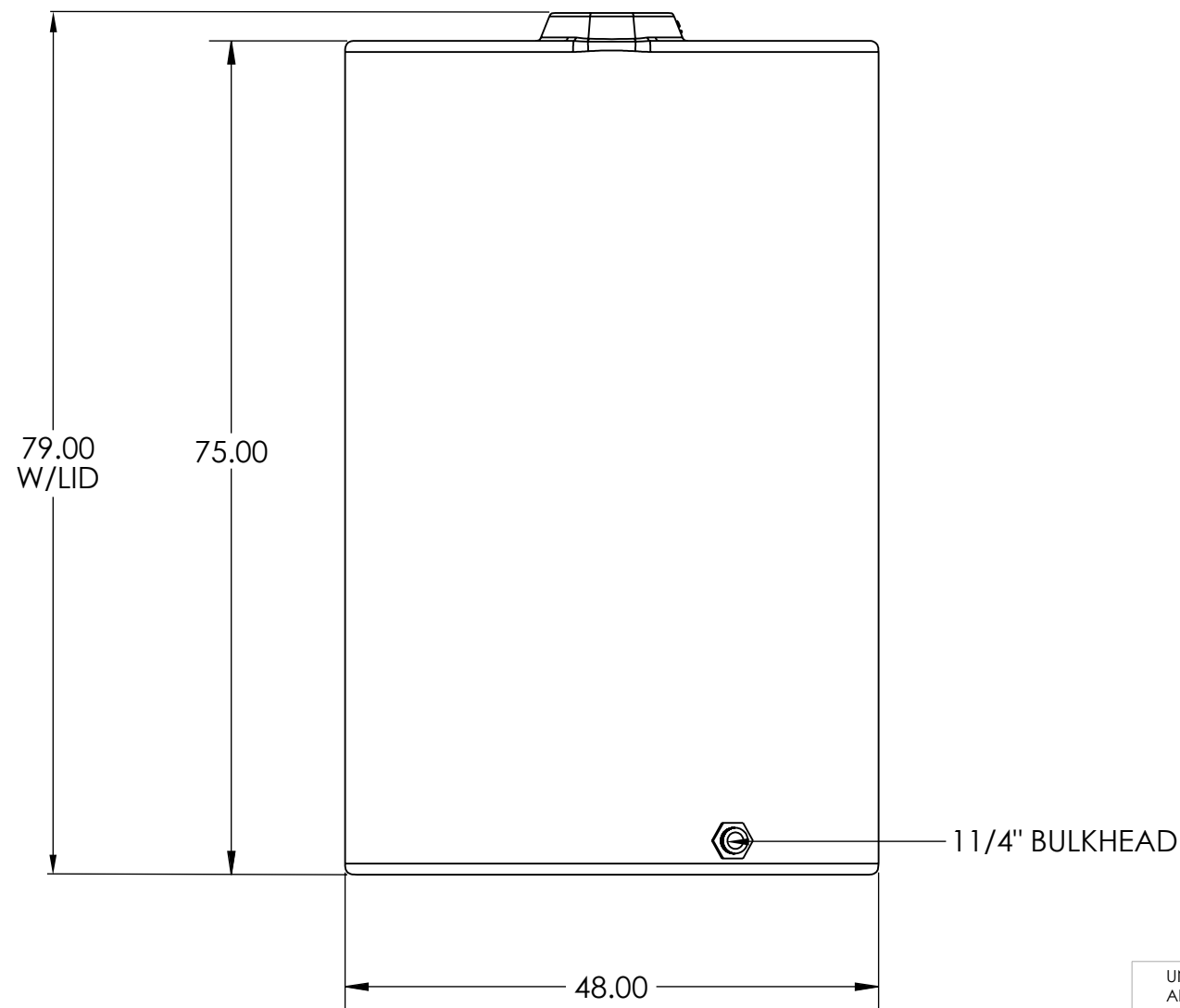
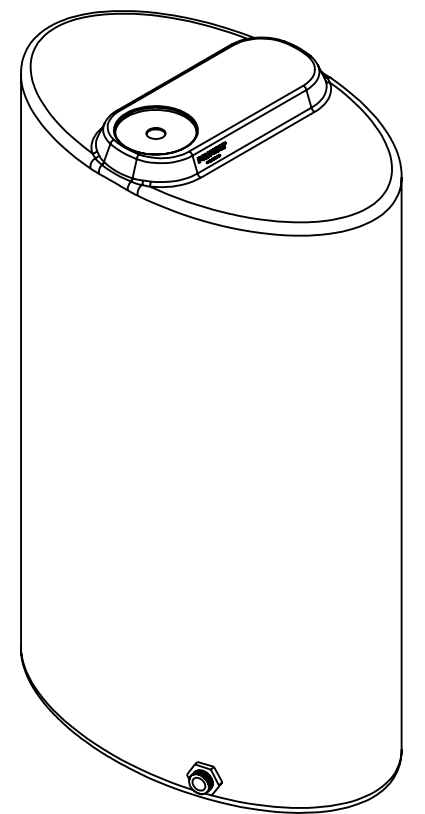
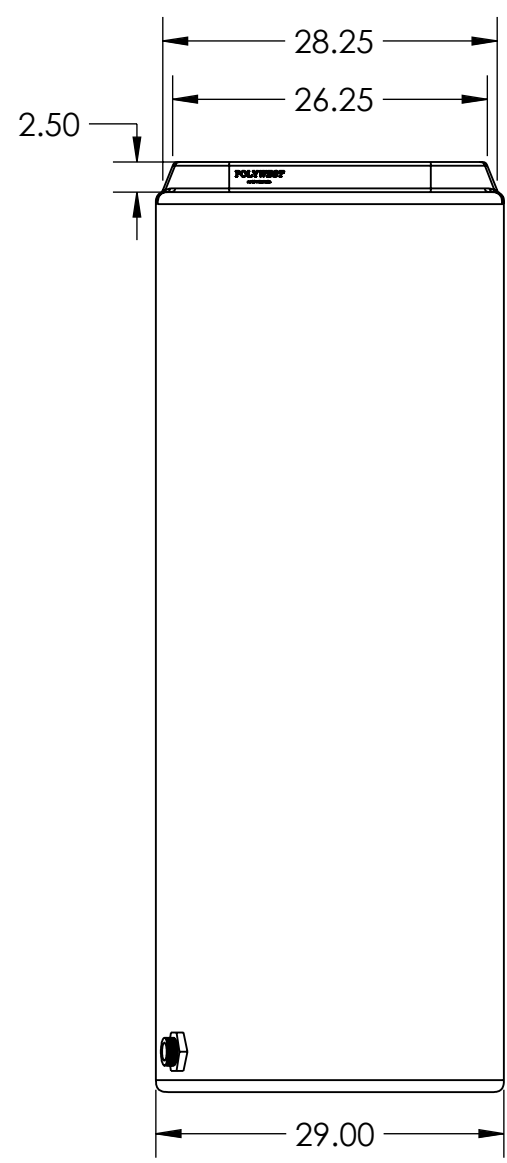


8" VENTED LID(14-14910)



1 1/4" BULKHEAD



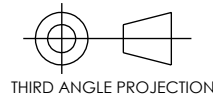
- NOTES:**
- 1) ONE PIECE ROTATIONALLY MOLDED
  - 2) TRANSLUCENT
  - 3) NSF STANDARD 51 POTABLE WATER APPROVED RESIN
  - 4) CALIBRATED IN IMPERIAL GALLONS
  - 5) FIVE YEAR WARRANTY
  - 6) UV STABILIZED

UNLESS OTHERWISE SPECIFIED  
ALL DIMENSIONS ARE IN INCHES

**TOLERANCES:**

FRACTIONAL	±1/32
ONE PLACE DECIMAL	±.120
TWO PLACE DECIMAL	±.060
THREE PLACE DECIMAL	±.030
HOLE DIA.	±.015
BEND RADII	±.030
ANGULAR	±1°

DO NOT SCALE DRAWING



THIRD ANGLE PROJECTION

	BY	MM/DD/YY
DRAWN	IDC	03/07/2025
CHECKED		
ENG APPR.		

**PROPRIETARY AND CONFIDENTIAL**

THE INFORMATION CONTAINED IN THIS DRAWING IS THE SOLE PROPERTY OF POLYWEST LTD. ANY REPRODUCTION IN PART OR AS A WHOLE WITHOUT THE WRITTEN PERMISSION OF POLYWEST IS PROHIBITED.

**POLYWEST**

TITLE:  
Narrow Profile Oval Tank 300 Imperial Gallon

SIZE <b>B</b>	PART NO. <b>NP0300</b>	REV <b>B</b>
SCALE: 1:24	SOLIDWORKS	SHEET 1 OF 1