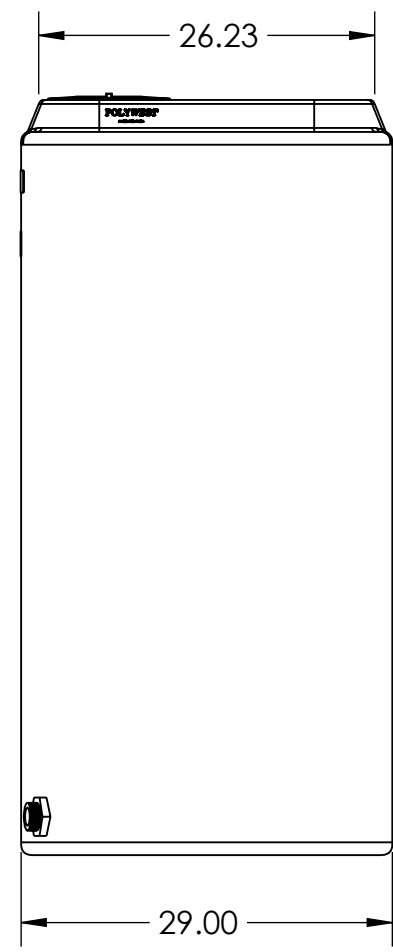
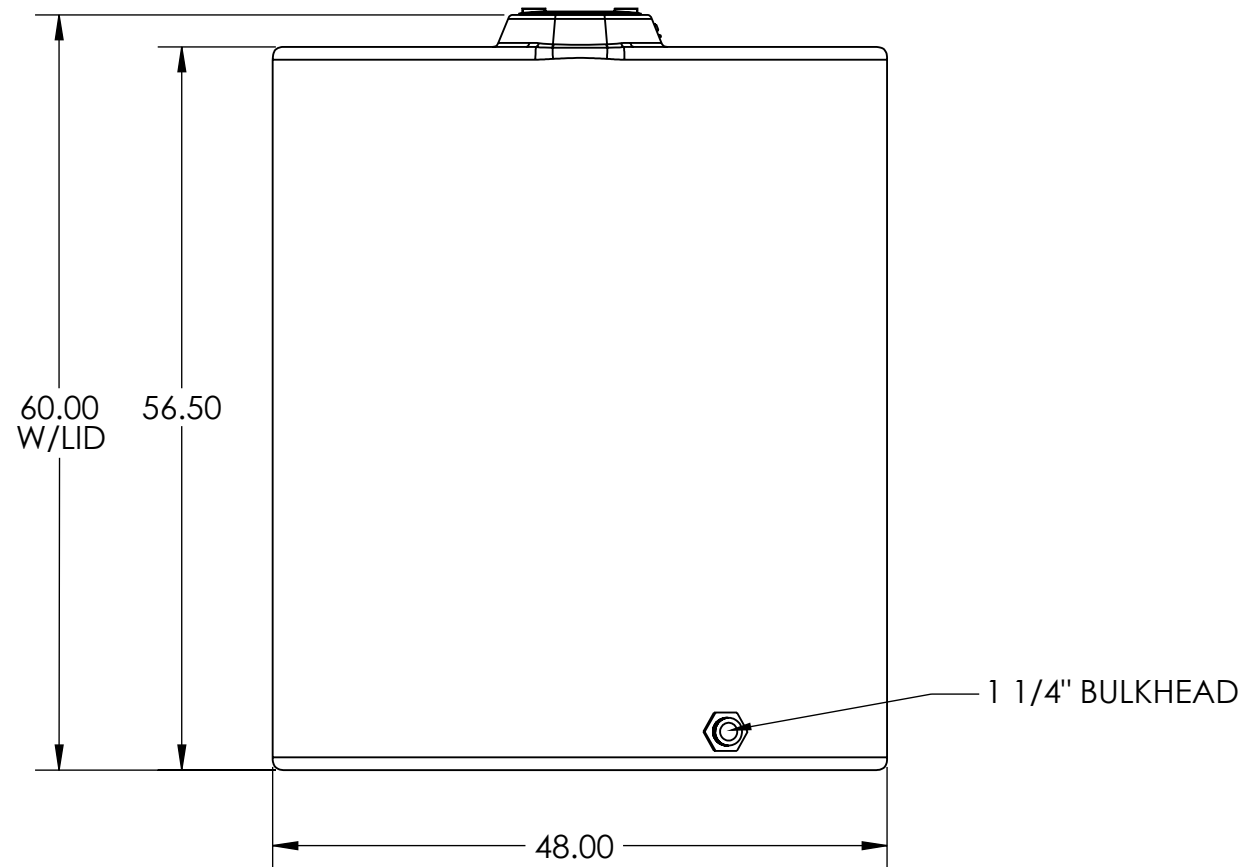
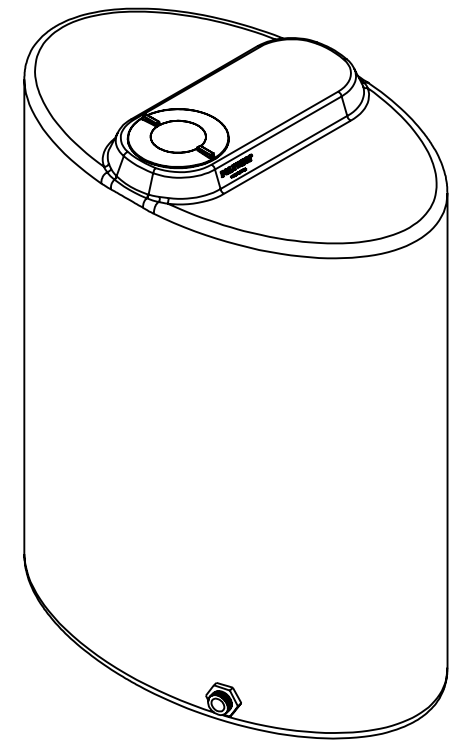
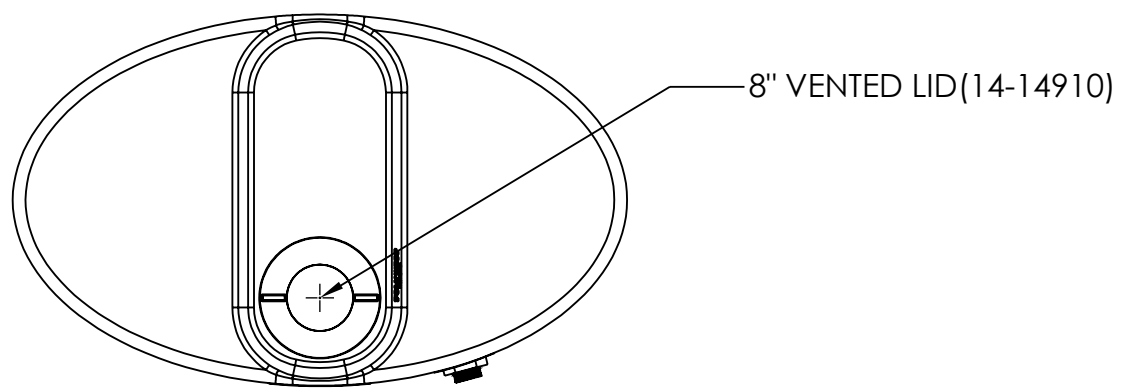


8 7 6 5 4 3 2 1



D  
C  
B  
A

D  
C  
B  
A

- NOTES:**
- 1) ONE PIECE ROTATIONALLY MOLDED
  - 2) TRANSLUCENT
  - 3) NSF STANDARD 51 POTABLE WATER APPROVED RESIN
  - 4) CALIBRATED IN IMPERIAL GALLONS
  - 5) FIVE YEAR WARRANTY
  - 6) UV STABILIZED

UNLESS OTHERWISE SPECIFIED ALL DIMENSIONS ARE IN INCHES		
TOLERANCES:		
FRACTIONAL	±	1/32
ONE PLACE DECIMAL	±	.120
TWO PLACE DECIMAL	±	.060
THREE PLACE DECIMAL	±	.030
HOLE DIA.	±	.015
BEND RADII	±	.030
ANGULAR	±	1°
DO NOT SCALE DRAWING		
 THIRD ANGLE PROJECTION		
PROPRIETARY AND CONFIDENTIAL  THE INFORMATION CONTAINED IN THIS DRAWING IS THE SOLE PROPERTY OF POLYWEST LTD. ANY REPRODUCTION IN PART OR AS A WHOLE WITHOUT THE WRITTEN PERMISSION OF POLYWEST IS PROHIBITED.		

BY		MM/DD/YY		
DRAWN	IDC	11/14/2025		
CHECKED				
ENG APPR.			TITLE:	
			Narrow Profile Oval Tank 225 Imperial Gallon	
SIZE	PART NO.		REV	
<b>B</b>	<b>NP0225</b>		<b>A</b>	
SCALE: 1:16		SOLIDWORKS	SHEET 1 OF 1	

8 7 6 5 4 3 2 1