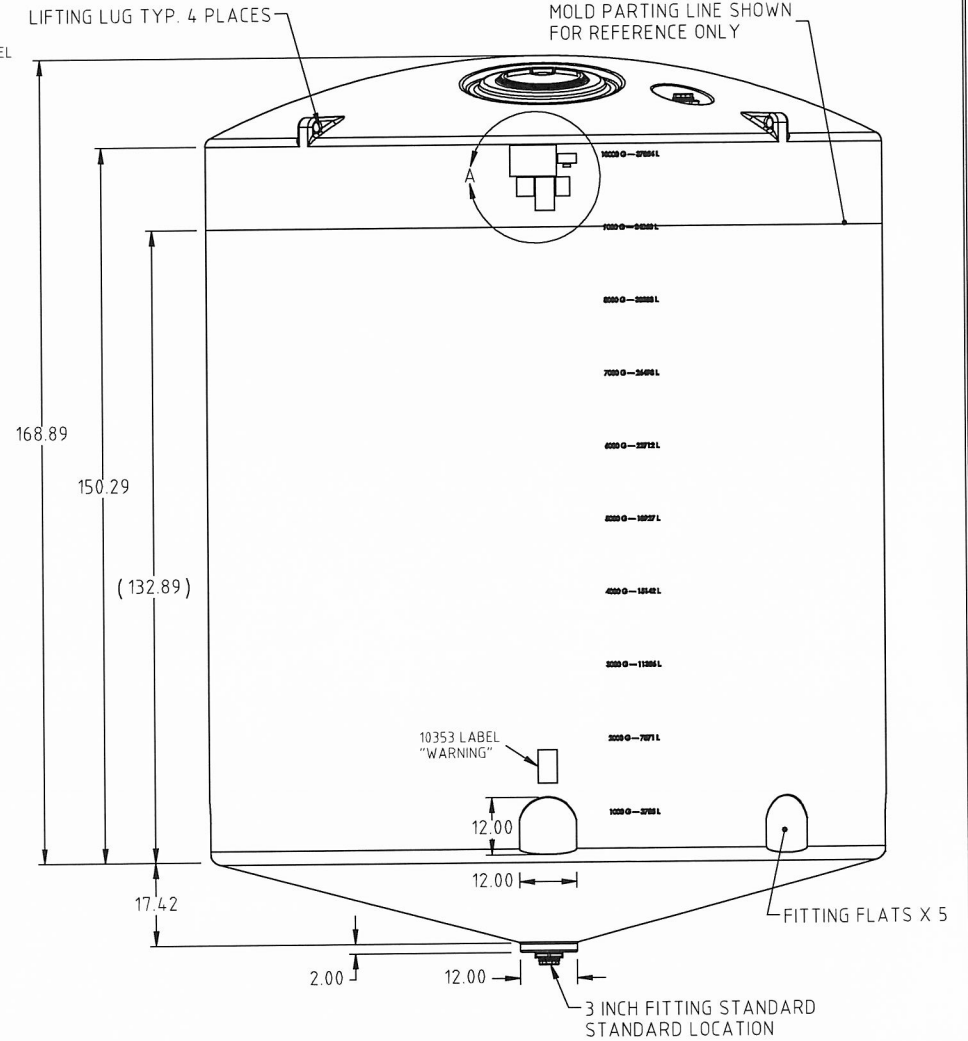
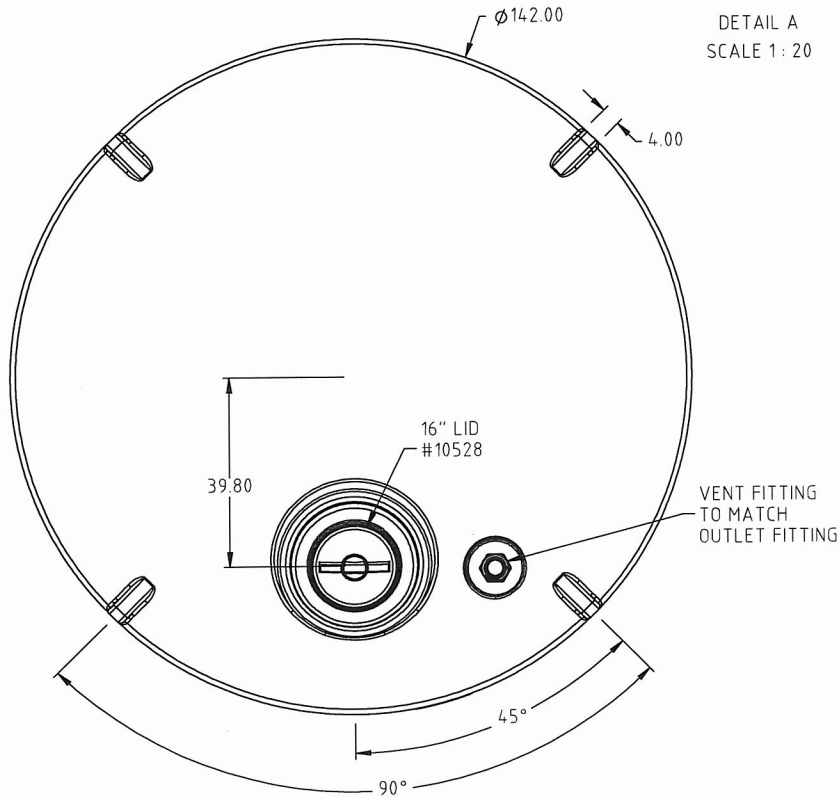
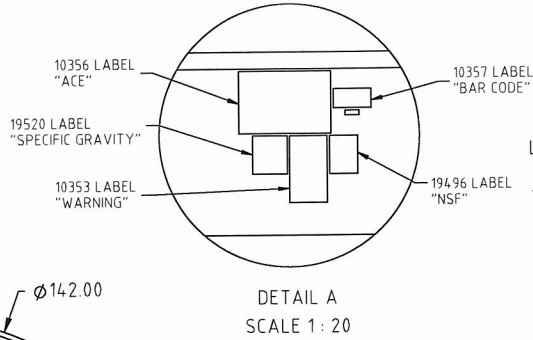


Copyright All information furnished within this document, electronic file or design correspondence is the property of Den Hartog industries, Inc. and shall not be used, disclosed to others or copied without the expressed written consent of Den Hartog Industries, Inc.



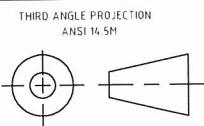
DRAWN / DATE DHJ 5/20/2015	MATERIAL: 10538 2 MELT NATURAL RESIN
APPRD. / DATE BPL 6/9/2021	



Den Hartog INDUSTRIES, INC.

Acs Roto-Mold • Injection Molding • Blow Molding • Sowjoy
4010 HOSPERS DRIVE S. BOX 425, HOSPERS, IOWA 51238-0425

REV.	DESCRIPTION	BY	DATE	CCN
	ALL DIMENSIONS ARE IN DECIMAL INCHES TOLERANCES UNLESS OTHERWISE SPECIFIED			
	POLYETHYLENE			
	METAL DECIMAL ± .125" FRACTION ± 1/4" ANGLE ± 1°			
	±1% @ 68° F			



SHOT WEIGHT: 2500.00 LBS	NOTES: 1.) WHITE, BLACK, OR YELLOW COLOR WALL THICKNESS AT FITTING: .125"
SHIPPING WEIGHT: 2502.00 LBS	
FINISH:	

DESCRIPTION 10500 GALLON 15 DEGREE CONE BOTTOM TANK		SHEET. 1 OF 1
SCALE N.S.	PART NO. CB10500-142	