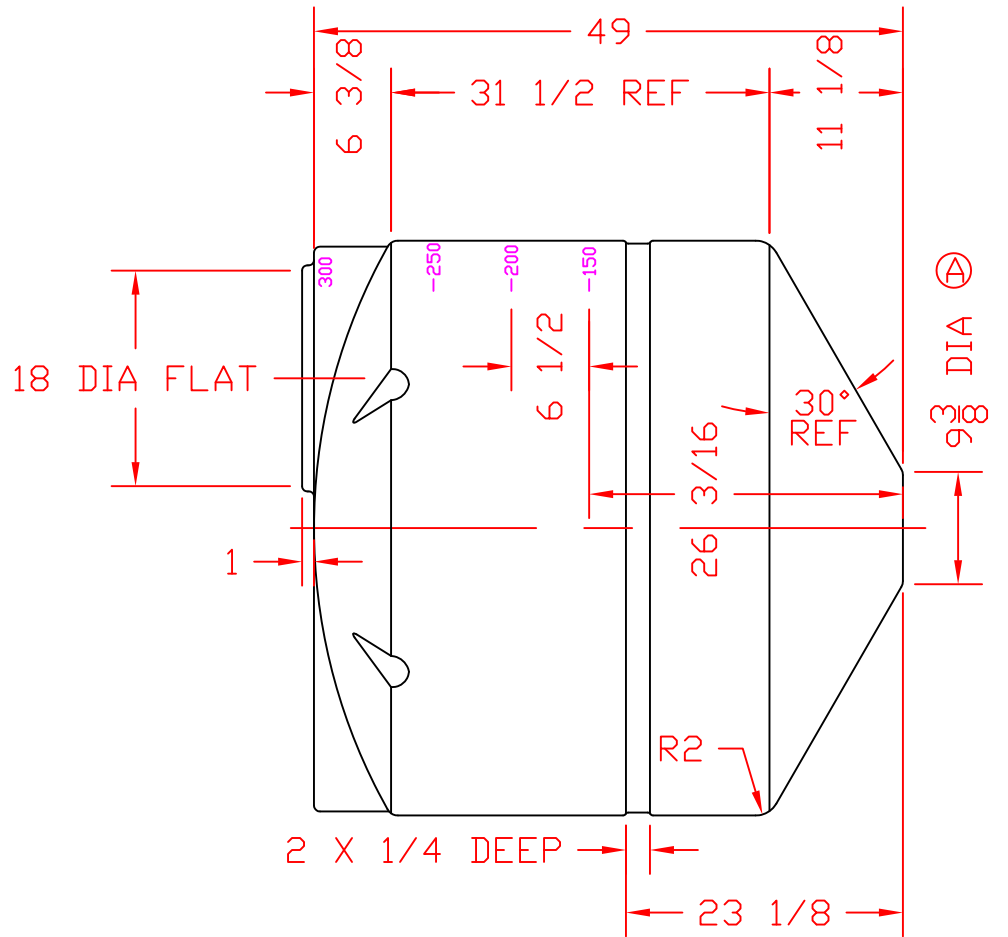
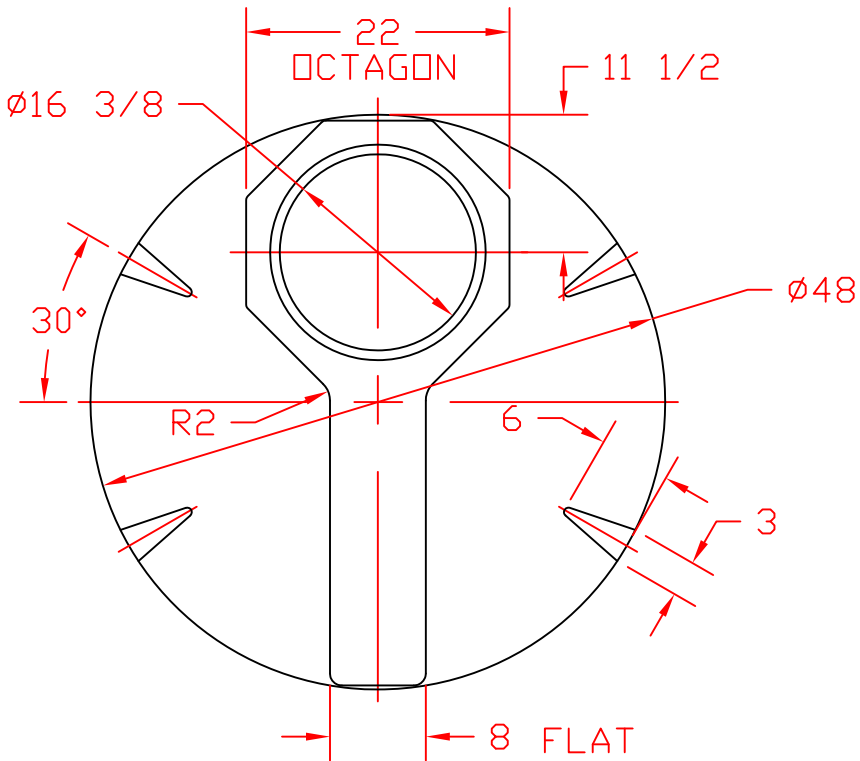


REVISIONS				
ZONE	REV	DESCRIPTION	DATE	APPROVED
	A	DIMENSION ADDED	24 JAN 05	



		ST. BONIFACIUS, MN		
		300 GALLON CONE BOTTOM TANK		
JTP	15APR97	SIZE A	FSCM NO.	DWG NO.
		SCALE 1/16	SHEET	