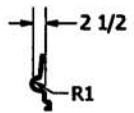
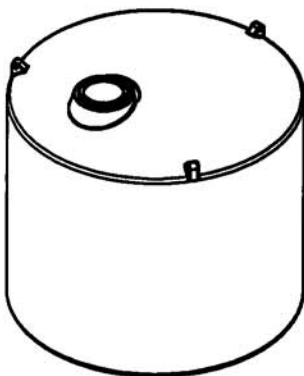
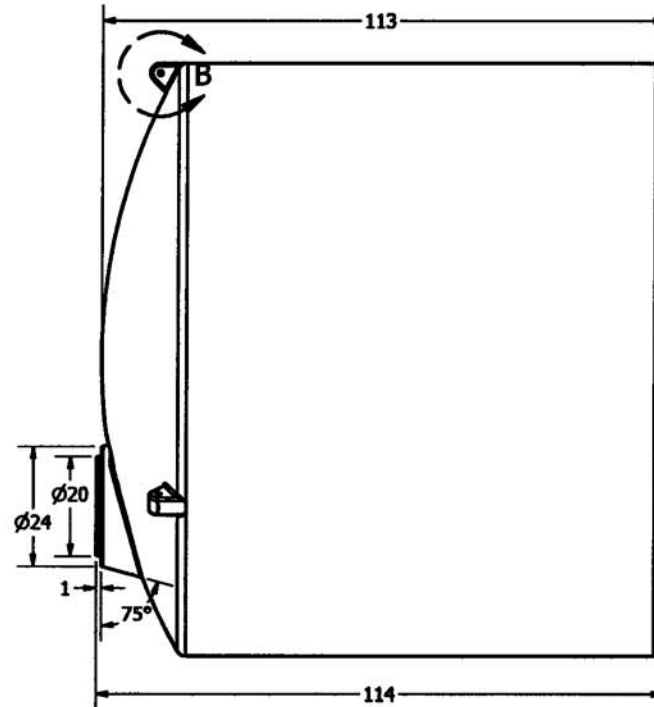
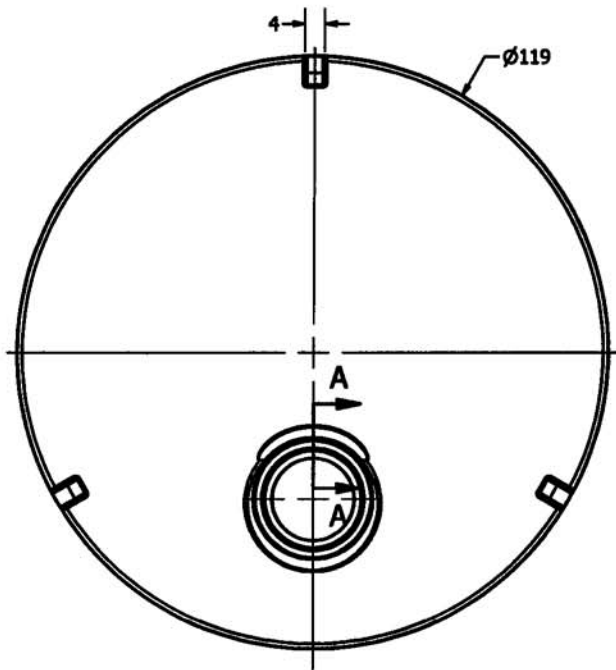



DETAIL B  
SCALE 1 / 8



SECTION A-A  
SCALE 1 / 24



DRAWN Jerry Paulson	9/19/2007			
CHECKED				
QA		<b>4000 IMPERIAL GALLON VERTICAL TANK</b>		
MFG				
APPROVED				
		SIZE <b>B</b>	DWG NO <b>P/N</b>	REV
		SCALE: 1/16	SHEET 1 OF 1	