



CONNECT WITH CONFIDENCE™

CATALOG #64 EFFECTIVE OCTOBER 1, 2022



INDEX

PRODUCTS FOCUS	4
VALVES	5-16
ELECTRIC VALVES	17-22
MANIFOLD FLANGE CONNECTIONS	23-50
DRY-MATES®	51-60
IBC/TANK ACCESSORIES	61-69
CAM LEVER COUPLINGS	70-75
PIPE FITTINGS	76-81
LINE STRAINERS	82-93
CENTRIFUGAL PUMPS	94-151
REFERENCE	152-163





PRODUCT FOCUS

MEVX ELECTRIC VALVES

FEATURES

- 12-volt DC operated
- 24-volt available
- Open/closed indicator
- ON/OFF has 1½ second response
- Open / Close verification available
- IP68 waterproof
- -0 to 150F (-18 to 65C) operating
- -67 to 221F (-55 to 105C) storage
- On/Off Actuator rated to 500,000 cycles
- Valve rated to 50,000 cycles leak-free
- Bolted valves have the same exact dimensions as our legacy EV valves.
- Additional protocols available including CAN/ISO BUS & Proportional Control



2" MEVX ON/OFF WELDED ELECTRIC VALVES

PART NO	DESCRIPTION	MAX PSI	PIPE SIZE	OPENING THRU BALL	QTY
MEVX200	2" STANDARD PORT ELECTRIC VALVE	300	2"	1½"	1
MEVX220	2" FULL PORT ELECTRIC VALVE	250	2"	2"	1

SKIRTED FLANGE GASKETS

FEATURES

- 1"-3" EPDM Gaskets
- Skirted design aligns with manifold flanges and stays in place during connections
- Grooves facilitate visual alignment of fittings at 45° increments



SKIRTED FLANGE GASKETS

PART NO	DESCRIPTION	GASKET MATERIAL	QTY
M102G	1" & 1¼" SKIRTED FLANGE GASKET	EPDM	1
M202G	1½" SKIRTED FLANGE GASKET	EPDM	1
M222G	2" SKIRTED FLANGE GASKET	EPDM	1
M302G	3" SKIRTED FLANGE GASKET	EPDM	1

EASY-FILL™ VALVES

FEATURES

- Eliminates multiple fittings for fill applications
- Available in 2" and 3" sizes
- Full flow (full port) design
- Stubby valve configuration reduces profile
- Extended coupler prevents handle interference



EASY-FILL™ VALVES			
PART NO	DESCRIPTION	MAX PSI	LOT QTY
VSBHB204FP	2" FULL PORT EASY-FILL™ VALVE	150	2/BOX
VSBHB205FP	2" FULL PORT EASY-FILL™ VALVE W/CARRY HANDLE	150	4/BOX
VSBHB304FP	3" FULL PORT EASY-FILL™ VALVE	150	2/BOX
VSBHB305FP	3" FULL PORT EASY-FILL™ VALVE W/CARRY HANDLE	150	4/BOX
H25053	2" & 3" CARRY HANDLE	N/A	1

VALVES

1/4" - 1" POLY MICRO VALVES

FEATURES

- 90° rotating handle
- 90° locking, rotating handle (with asterisk *)
- Precision molded polypropylene is reinforced with fiberglass for additional strength.
- Standard FKM seats and O-Rings

JG John Guest® Fitting

The brand "John Guest" is a registered trademark of John Guest International Limited.



MICRO VALVES

PART NO	DESCRIPTION	MAX PSI	THREAD SIZE	OPENING THRU BALL	LOT QTY
LV025V	1/4" FEMALE NPT MICRO VALVE	300	1/4"	3/8"	10
LV038V	3/8" FEMALE NPT MICRO VALVE	300	3/8"	3/8"	10
LV050V	1/2" FEMALE NPT MICRO VALVE	300	1/2"	15/32"	10
LV050SLV	1/2" SIDE LOAD MICRO VALVE	300	1/2"	1/2"	10
LV050SLLV*	1/2" SIDE LOAD LOCKING MICRO VALVE	300	1/2"	15/32"	10

MICRO VALVES

PART NO	DESCRIPTION	MAX PSI	THREAD SIZE	OPENING THRU	LOT QTY
LVHB038V	3/8" HOSE BARB MICRO VALVE	300	3/8"	3/8"	10
LVHB050V	1/2" HOSE BARB MICRO VALVE	300	1/2"	3/8"	10
LVHB075V	3/4" HOSE BARB MICRO VALVE	300	3/4"	15/32"	10

MICRO VALVES

PART NO	DESCRIPTION	MAX PSI	THREAD SIZE	OPENING THRU BALL	LOT QTY
LV025MTV	1/4" FEMALE X MALE NPT MICRO VALVE	300	1/4"	3/8"	10
LV038MTV	3/8" FEMALE X MALE NPT MICRO VALVE	300	3/8"	3/8"	10
LV038050MTV	3/8" FEMALE X 1/2" MALE NPT MICRO VALVE	300	3/8" x 1/2"	3/8"	10
LV038050MTLV*	3/8" FEMALE X 1/2" MALE NPT LOCKING MICRO VALVE	300	3/8" x 1/2"	3/8"	10
LV050MTV	1/2" FEMALE X MALE NPT MICRO VALVE	300	1/2"	15/32"	10
LV050100MTV	1/2" FEMALE X 1" MALE NPT MICRO VALVE	300	1/2"	15/32"	10
LV050100MTLV*	1/2" FEMALE X 1" MALE NPT LOCKING MICRO VALVE	300	1/2" x 1"	15/32"	10

MICRO VALVES

PART NO	DESCRIPTION	MAX PSI	THREAD SIZE	OPENING THRU BALL	LOT QTY
LVHB038050MTV	3/8" HOSE BARB X 1/2" MALE NPT MICRO VALVE	300	1/2"	3/8"	10
LVHB075MTV	3/4" HOSE BARB X 3/4" MALE NPT MICRO VALVE	300	3/4"	1/2"	10
LVHB075100MTV	3/4" HOSE BARB X 1" MALE NPT MICRO VALVE	300	1"	15/32"	10
LVHB075100MTLV	3/4" HOSE BARB X 1" MALE NPT LOCKING MICRO VALVE	300	1"	15/32"	10

MICRO VALVES

PART NO	DESCRIPTION	MAX PSI	THREAD SIZE	OPENING THRU BALL	LOT QTY
LVPL025V	1/4" FEMALE PUSH LOCK MICRO VALVE	300	1/4"	3/8"	10
LVPL038V	3/8" FEMALE PUSH LOCK MICRO VALVE	150	3/8"	3/8"	10

1/2" - 2" 4 BOLTED VALVES



V100FP

V125

V200

4 BOLTED VALVES

PART NO	DESCRIPTION	MAX PSI	PIPE SIZE	OPENING THRU	LOT QTY	REPLACEMENT HANDLE	REPAIR KIT
V050	1/2" FULL PORT VALVE	300	1/2"	3/4"	6	V10153A	N/A
V075	3/4" FULL PORT VALVE	300	3/4"	3/4"	12	V10153A	N/A
V100	1" STANDARD PORT VALVE	225	1"	3/4"	12	V10153A	N/A
V100FP	1" FULL PORT VALVE	300	1"	1"	12	V10153A	V10200
V125	1 1/4" STANDARD PORT VALVE	300	1 1/4"	1"	6	V10153A	V10200
V125FP	1 1/4" FULL PORT VALVE	225	1 1/4"	1 1/2"	6	V20153	N/A
V150	1 1/2" FULL PORT VALVE	225	1 1/2"	1 1/2"	6	V20153	N/A
V200	2" STANDARD PORT VALVE	225	2"	1 1/2"	12	V20153	N/A

FEATURES

- FKM seals.
- Precision molded polypropylene is reinforced with fiberglass for additional strength.
- Self-aligning ball moves freely against the PTFE seats for smooth operation. The valve opens and closes with very little pressure on the handle.
- Ball is diamond turned, after molding, to make it spherically perfect, which provides precise contact between ball and seats.
- PTFE self-lubricating stem bushings and seats cannot stick or bind.
- Stainless steel bolts.

REPAIR KIT INCLUDES:

- Ball
- Body gasket
- Thrust washer
- Ball seats
- Upper stem bushing
- Stem o-ring



V25270

V25271

VALVE ACCESSORIES

FEATURES

- 304 stainless steel construction
- Installs under valve handle
- Comes complete with handle and locking device
- Padlock not included

VALVE ACCESSORIES

PART NO	DESCRIPTION	FITS VALVES	LOT QTY
VL20153	LOCKING DEVICE	V125, V150, V200	1
V10270	STRAIGHT MOUNTING BRACKET	V100FP, V125	1
V10271	90° MOUNTING BRACKET	V100FP, V125	1
V25270	STRAIGHT MOUNTING BRACKET	V125FP, V150, V200	1
V25271	90° MOUNTING BRACKET	V125FP, V150, V200	1
V10153138	1" X 1 3/8" HANDLE OFFSET	V100FP, V125	1
V20153138	2" FP X 1 3/8" HANDLE OFFSET	V125FP, V150, V200	10
V25153138	2" FP X 1 3/8" HANDLE OFFSET	V200FP	1



VALVES

2"-4" 6 BOLTED VALVES

FEATURES

- FKM seals.
- Precision molded polypropylene is reinforced with fiberglass for additional strength.
- Self-aligning ball moves freely against the PTFE seats for smooth operation. The valve opens and closes with very little pressure on the handle.
- Ball is diamond turned, after molding, to make it spherically perfect, which provides precise contact between ball and seats.
- PTFE self-lubricating stem bushings and seats cannot stick or bind.
- Stainless steel bolts.

REPAIR KIT INCLUDES:

- Ball
- Body gasket
- Thrust washer
- Ball seats
- Upper stem bushing
- Stem o-ring



6 BOLTED VALVES

PART NO	DESCRIPTION	MAX PSI	PIPE SIZE	OPENING THRU BALL	LOT QTY	REPLACEMENT HANDLE	REPAIR KIT
V200FP	2" FULL PORT VALVE	225	2"	2"	8/BOX	V25153	V25200
VFMT200FP	2" FULL PORT VALVE W/ F ADAPTER	225	2"	2"	6/BOX	V25153	V25200
V300	3" STANDARD PORT VALVE	225	3"	2½"	8/BOX	V25153	V30200
V300FP	3" FULL PORT VALVE	200	3"	3"	6/BOX	V25153	V35200
V400	4" STANDARD PORT VALVE	100	4"	3½"	4/BOX	V25153	V40200

VALVE ACCESSORIES

FEATURES

- Stainless steel hardware
- Locks in open and closed positions
- Locking handle replaces standard handle (sold separately)
- Padlock not included



VALVE ACCESSORIES

PART NO	DESCRIPTION	FITS VALVES	QTY
VL25153	LOCKING HANDLE	V200FP, V300, V300FP, V400, VFMT200FP	1
V25270	STRAIGHT MOUNTING BRACKET	V200FP, V300, V300FP, V400, VFMT200FP	1
V25271	90° MOUNTING BRACKET	V200FP, V300, V300FP, V400, VFMT200FP	1

2" FULL PORT 4 BOLTED BALL VALVES



VFMT204FP

V204FP

4 BOLTED FULL PORT VALVES

PART NO	DESCRIPTION	MAX PSI	PIPE SIZE	OPENING THRU BALL	LOT QTY	REPLACEMENT HANDLE	REPAIR KIT
VFMT204FP	2" FULL PORT VALVE MALE NPT X MALE ADAPTER	150	2"	2"	6/BOX	V25153	V25200
V204FP	2" FULL PORT VALVE	150	2"	2"	8/BOX	V25153	V25200

FEATURES

- FKM seals
- Stainless steel bolts
- PTFE self-lubricating stem bushings and seats cannot stick or bind
- Precision molded in fiberglass reinforced polypropylene
- Self-aligning ball moves freely against the PTFE seats for smoother operation
- Valve opens and closes with very little pressure on the handle
- Ball is diamond turned after molding to make it spherically perfect, which provides precise contact between ball and seats

REPAIR KIT INCLUDES:

- Ball
- Body gasket
- Thrust washer
- Ball seats
- Upper stem bushing
- Stem o-ring

2" FULL PORT ANSI FLANGE BOLTED BALL VALVES



VSF200FPAF

FULL PORT ANSI FLANGE BOLTED VALVES

PART NO	DESCRIPTION	MAX PSI	PIPE SIZE	OPENING THRU BALL	LOT QTY	REPLACEMENT HANDLE	REPAIR KIT
VSF200FPAF	2" FULL PORT VALVE MALE ADAPTER X 2" ANSI FLANGE	200	2"	2"	6/BOX	V25153SH	VS25200

FEATURES

- 100% PTFE seats
- FKM seals
- Glass-filled polypropylene
- Unique compact design
- Lightweight
- Gaskets featured on page 73

REPAIR KIT INCLUDES:

- Ball
- Body gasket
- Thrust washer
- Ball seats
- Upper stem bushing
- Stem o-ring

VALVES

2" STANDARD PORT STUBBY BALL VALVES

FEATURES

- Stainless steel bolts
- Glass reinforced polypropylene
- Multiple design options
- Unique patented compact design
- Lightweight
- All PTFE seals



VSF200



VSMT200



VSFMT200



VSFHB200

2" STANDARD PORT STUBBY VALVES

PART NO	DESCRIPTION	MAX PSI	PIPE SIZE	OPENING THRU BALL	LOT QTY	REPLACEMENT HANDLE
VSF200	2" MALE ADAPTER X 2" FEMALE NPT	100	2"	1½"	6	VS20152SH
VSMT200	2" MALE NPT X 2" FEMALE NPT	100	2"	1½"	6	VS20152SH
VSFMT200	2" MALE ADAPTER X 2" MALE NPT	225	2"	1½"	12	VS20152SH
VSFHB200	2" MALE ADAPTER X 2" HOSE BARB	100	2"	1½"	6	VS20152SH

2" FULL PORT STUBBY BALL VALVES



VSMT204FP



VSF204FP



VS204FP



VSFMT204FP



VSFMT204HSFP

FEATURES

- Stainless steel bolts
- 100% PTFE ball seats
- Glass reinforced polypropylene
- Unique patented compact design
- Lightweight
- FKM body seals

REPAIR KIT INCLUDES:

- Ball
- Body gasket
- Thrust washer
- Ball seats
- Upper stem bushing
- Stem o-ring

2" FULL PORT STUBBY VALVES

PART NO	DESCRIPTION	MAX PSI	PIPE SIZE	OPENING THRU BALL	LOT QTY	REPLACEMENT HANDLE	REPAIR KIT
VSMT204FP	2" MALE NPT X 2" FEMALE NPT	200	2"	2"	6	VS25153	VS25200
VSF204FP	2" MALE ADAPTER X 2" FEMALE NPT	100	2"	2"	6	VS25153	VS25200
VS204FP	2" FEMALE NPT X 2" FEMALE NPT	225	2"	2"	6	VS25153	VS25200
VSFMT204FP	2" MALE ADAPTER X 2" MALE NPT	150	2"	2"	6	VS25153	VS25200
VSFMT204HSFP	2" FP MALE ADAPTER X 2" MALE NPT W/ SS BALL, STEM & HANDLE	150	2"	2"	6	N/A	VSSH25200

VALVES

3" STANDARD PORT STUBBY BALL VALVES

FEATURES

- Stainless steel bolts
- Glass reinforced polypropylene
- FKM body seals
- Unique patented compact design
- Lightweight
- All PTFE seats
- Note: If repair kits not listed, components available.



3" STANDARD PORT STUBBY VALVES

PART NO	DESCRIPTION	MAX PSI	PIPE SIZE	OPENING THRU BALL	LOT QTY	REPLACEMENT HANDLE STRAIGHT	REPLACEMENT HANDLE SHORT
VSF300	3" FEMALE NPT X 3" MALE ADAPTER	100	3"	2½"	6/BOX	V25153	V25153SH
VSMT300	3" FEMALE NPT X 3" MALE NPT	100	3"	2½"	6/BOX	V25153	V25153SH
VSFMT300	3" MALE NPT X 3" MALE ADAPTER	225	3"	2½"	6/BOX	V25153	V25153SH

3" FULL PORT STUBBY BALL VALVES

FEATURES

- Stainless steel bolts
- Glass reinforced polypropylene
- FKM body seals
- Unique patented compact design
- Lightweight
- All PTFE ball seats
- Note: If repair kits not listed, components available.



3" FULL PORT STUBBY VALVES

PART NO	DESCRIPTION	MAX PSI	PIPE SIZE	OPENING THRU BALL	LOT QTY	REPLACEMENT HANDLE
VSFMT300FP	3" FULL PORT MALE ADAPTER X 3" MALE NPT	100	3"	3"	6/BOX	V25153
VSFMT300HSFP	3" FULL PORT MALE ADAPTER X 3" MALE NPT W/SS BALL, STEM & HANDLE	100	3"	3"	6/BOX	VS30153SS

3 WAY BOTTOM LOAD BALL VALVES

FEATURES

- Stainless steel bolts
- Precision molded in fiberglass reinforced polypropylene for additional strength
- Self-aligning ball moves freely against the PTFE seats for smooth operation
- Ball is diamond turned after molding to make it spherically perfect, which provides precise contact between ball and seats
- PTFE self-lubricating stem bushings and seats
- FKM body seals
- Directional flow, right or left. Valve can be turned off to stop flow



3 WAY BOTTOM LOAD VALVES

PART NO	DESCRIPTION	MAX PSI	PIPE SIZE	OPENING THRU BALL	LOT QTY	HANDLE TYPE	REPLACEMENT HANDLE
V075BL	¾" 3-WAY BOTTOM LOAD VALVE	200	¾"	1"	6	T	N/A
V100BL	1" FP 3-WAY BOTTOM LOAD VALVE	225	1"	1"	6	T	N/A
V125BL	1¼" 3-WAY BOTTOM LOAD VALVE	300	1¼"	1½"	6	T	V20353TB
V150BL	1½" FP 3-WAY BOTTOM LOAD VALVE	225	1½"	1½"	6	T	V20353TB
V200BL	2" FP 3-WAY BOTTOM LOAD VALVE	200	2"	2"	8/BOX	STRAIGHT	V25353B

3 WAY SIDE LOAD BALL VALVES

FEATURES

- Stainless steel bolts
- Precision molded in fiberglass reinforced polypropylene for additional strength
- Self-aligning ball moves freely against the PTFE seats for smooth operation
- Ball is diamond turned after molding to make it spherically perfect, which provides precise contact between ball and seats
- PTFE self-lubricating stem bushings and seats
- FKM body seals
- Directional flow, right or left. Valve cannot be turned off to stop flow



3 WAY SIDE LOAD VALVES

PART NO	DESCRIPTION	MAX PSI	PIPE SIZE	OPENING THRU BALL	LOT QTY	HANDLE TYPE	REPLACEMENT HANDLE	REPAIR KIT
V075SL	¾" 3-WAY SIDE LOAD VALVE	200	¾"	1"	6	STRAIGHT	V10153A	V10300SL
V100SL	1" FP 3-WAY SIDE LOAD VALVE	200	1"	1"	6	STRAIGHT	V10153A	V10300SL
V125SL	1¼" 3-WAY SIDE LOAD VALVE	300	1¼"	1½"	6	T	N/A	V15300SL
V150SL	1½" FP 3-WAY SIDE LOAD VALVE	225	1½"	1½"	6	T	N/A	V15300SL
V200SL	2" FP 3-WAY SIDE LOAD VALVE	225	2"	2"	8/BOX	STRAIGHT	V25153SH	V25200BL

VALVES

1½" - 2" NOZZLE VALVES

FEATURES

- Lightweight hose end valve for convenient transfer of liquids into drums, tanks etc
- Angled end flange with 8" long polypropylene fill spout
- All stainless steel bolts



VA150



VA200FP

1½"-2" NOZZLE VALVES

PART NO	DESCRIPTION	MAX PSI	PIPE SIZE	OPENING THRU BALL	FEMALE NPT	LOT QTY	REPLACEMENT HANDLE	REPAIR KIT
VA150	1½" NOZZLE VALVE WITH 90° ELBOW	225	1½" x 8"	1½"	1½"	6	V20152	N/A
VA200	2" NOZZLE VALVE WITH 90° ELBOW	200	2" x 8"	1½"	2"	6	V20152	N/A
VA200FP	2" FP NOZZLE VALVE WITH 90° ELBOW	225	2" x 8"	2"	2"	6/BOX	V25152	V25200

1" DISPENSING NOZZLES

FEATURES

- Glass reinforced polypropylene
- 304 stainless steel handle, spring and pin
- FKM rubber parts only
- Resists corrosion



VN100

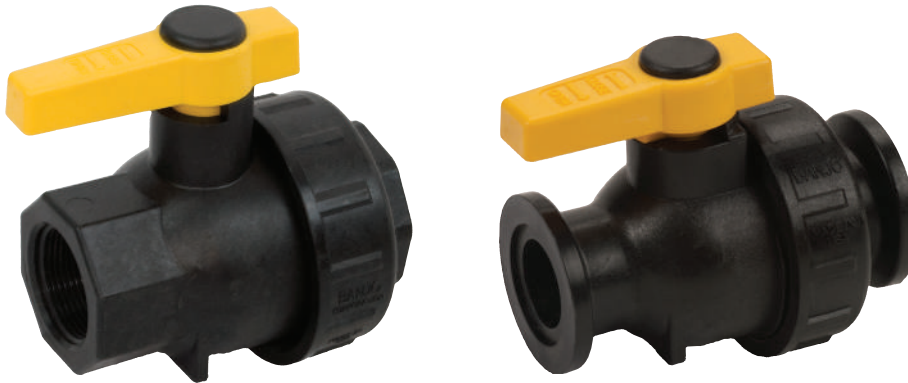


V10161

1" DISPENSING NOZZLE

PART NO	DESCRIPTION	MAX PSI	PIPE SIZE	OPENING THRU BALL	FEMALE NPT	QTY	REPAIR KIT
VN100	1" DISPENSING NOZZLE	150	1"	N/A	1"	1	VN10200
V10161	1" NOZZLE PIPE FOR USE WITH V100, V100FP, UV100FP, SUV100FP	N/A	1"	N/A	1"	1	N/A

1/2" - 2" SINGLE UNION SPINWELD VALVES



SUV125FP

MSUV100FP

1/2"-2" SINGLE UNION SPINWELD VALVES

PART NO	DESCRIPTION	MAX PSI	PIPE SIZE	OPENING THRU BALL	LOT QTY
SUV050FP	1/2" FULL PORT SINGLE UNION SPINWELD VALVE	300	1/2"	1/2"	10
SUV075FP	3/4" FULL PORT SINGLE UNION SPINWELD VALVE	300	3/4"	3/4"	10
SUV100FP	1" FULL PORT SINGLE UNION SPINWELD VALVE	300	1"	1"	10
SUV125FP	1 1/4" FULL PORT SINGLE UNION SPINWELD VALVE	300	1 1/4"	1 1/4"	10
SUV150FP	1 1/2" FULL PORT SINGLE UNION SPINWELD VALVE	300	1 1/2"	1 1/2"	10
SUV200FP	2" FULL PORT SINGLE UNION SPINWELD VALVE	200	2"	2"	10
MSUV100FP	1" MANIFOLD FULL PORT SINGLE UNION SPINWELD VALVE	300		1"	10

FEATURES

- Precision molded in glass reinforced polypropylene for strength and chemical resistance
- PTFE seats for smooth and proper sealing characteristics
- EPDM O-rings to handle most fertilizers and many chemicals
- Double O-rings in stem area for extra sealing protection
- Interlocking body and end plate to allow easy thread connection when installing valves



1/2"-2" SINGLE UNION VALVES

PART NO	DESCRIPTION	MAX PSI	PIPE SIZE	OPENING THRU BALL	LOT QTY
UV050FP	1/2" FULL PORT SINGLE UNION VALVE	300	1/2"	3/4"	10
UV075FP	3/4" FULL PORT SINGLE UNION VALVE	300	3/4"	3/4"	10
UV100FP	1" FULL PORT SINGLE UNION VALVE	300	1"	1"	10
UV125FP	1 1/4" FULL PORT SINGLE UNION VALVE	225	1 1/4"	1 1/4"	10
UV150FP	1 1/2" FULL PORT SINGLE UNION VALVE	200	1 1/2"	1 1/2"	10
UV200FP	2" FULL PORT SINGLE UNION VALVE	300	2"	2"	10

1/2" - 2" SINGLE UNION VALVES

FEATURES

- Precision molded in glass reinforced polypropylene for strength and chemical resistance
- PTFE seats for smooth and proper sealing characteristics
- Double O-rings in stem area for extra sealing protection
- Interlocking body and end plate to allow easy thread connection when installing valves

VALVES

1/2" - 3" CHECK VALVES

FEATURES

- One piece construction
- Glass reinforced polypropylene
- 316 stainless steel springs
- EPDM gasket



1/2"-3" CHECK VALVES

PART NO	DESCRIPTION	OPENING PRESSURE PSI	MAX PSI	PIPE SIZE	LOT QTY
CV050	1/2" CHECK VALVE	6-7	300	1/2"	10
CV100MT	1" MALE X FEMALE NPT CHECK VALVE	1	300	1"	10
CV100	1" CHECK VALVE	1	300	1"	10
CV221	2" FULL PORT CHECK VALVE	>0.5	300	2"	10
CV300	3" FULL PORT CHECK VALVE W/ 5 LB SPRING	1.5	300	3"	1
CV301	3" FULL PORT CHECK VALVE W/1/2 LB SPRING	>0.5	N/A	3"	1

1/4" - 3" STAINLESS STEEL FULL PORT VALVES

FEATURES

- 316 stainless steel
- Blow out proof stem
- All valves 100% tested by air, under water at 100 PSI in open and closed positions
- Latch locking handle performs in both open and closed positions
- Mounting pad
- PTFE seals and seats



1/4"-3" STAINLESS STEEL FULL PORT VALVES

PART NO	DESCRIPTION	MAX PSI	PIPE SIZE	OPENING THRU BALL	QTY	REPAIR KIT
VSS025	1/4" SS FULL PORT VALVE	1000	1/4"	1/4"	1	VSS02500
VSS038	3/8" SS FULL PORT VALVE	1000	3/8"	3/8"	1	VSS02500
VSS050	1/2" SS FULL PORT VALVE	1000	1/2"	1/2"	1	VSS05200
VSS075	3/4" SS FULL PORT VALVE	1000	3/4"	3/4"	1	VSS07200
VSS100	1" SS FULL PORT VALVE	1000	1"	1"	1	VSS10200
VSS150	1 1/2" SS FULL PORT VALVE	1000	1 1/2"	1 1/2"	1	VSS15200
VSS200	2" SS FULL PORT VALVE	1000	2"	2"	1	VSS25200
VSS300	3" SS FULL PORT VALVE	1000	3"	3"	1	VSS35200

3/4" - 1" PINCH VALVES

FEATURES

- Open position allows full unobstructed flow of 50-60 GPM
- Air pressure collapses the internal rubber sleeve to provide positive shut off
- Standard EPDM rubber bladder seal and FKM available
- Female NPT threads
- ATTENTION: Normally an open valve and has a maximum liquid pressure of 70 PSI. Pressure differential = pressure it takes to close valve



3/4"-1" PINCH VALVES

PART NO	DESCRIPTION	GASKET	MAX PSI	PIPE SIZE	PRESSURE DIFFERENTIAL	LOT QTY
PV075	3/4" X 3/4" PINCH VALVE	EPDM	300	3/4"	15 TO 20 PSI	10
PV100	1" X 1" PINCH VALVE	EPDM	300	1"	15 TO 20 PSI	1
PV100-075	1" X 3/4" PINCH VALVE	EPDM	300	1" X 3/4"	15 TO 20 PSI	10
PV100-075V	1" X 3/4" PINCH VALVE	FKM	300	1" X 3/4"	15 TO 20 PSI	1
PV10265	BLADDER	EPDM	N/A			1
PV10265V	BLADDER	FKM	N/A			1



SMALLER

- EVX 2" full port and 3" models are over 35% smaller than the average competitive valve. The 1½", 2" full port and 3" models are also substantially lighter than the average competitive valve.

SMARTER

- EVX offers many protocol options for your needs:
 - On/Off
 - Regulating
 - Regulating with linear feedback
 - CAN/ISO BUS
 - Proportional control
- Diagnostic options for CANBUS
 - Voltage
 - Temperature
 - Cycle Count

TOUGHER

- Setting the new standard for electric valve toughness, EVX passes 52 separate durability torture tests including mechanical shock, vibration, extreme temperature, rain/shine, operating pressure, and rigorous longevity tests.

SMALLER / SMARTER / TOUGHER

ELECTRIC VALVES

3/4" - 1 1/2" EVX SERIES

FEATURES

- 12-volt DC operated
- 24-volt available
- Open/closed indicator
- 3/4"-1 1/4" ON/OFF has 3/4 sec response
- 1 1/2" ON/OFF has 1 1/2 sec response
- Regulating has 4 sec response
- Open / Close verification available
- IP68 waterproof
- -0 to 150F (-18 to 65C) operating
- -67 to 221F (-55 to 105C) storage
- On/Off Actuator rated to 500,000 cycles
- Regulating Actuator rated to 250,000 cycles
- Valve rated to 50,000 cycles leak-free
- Bolted valves have the same exact dimensions as our legacy EV valves.
- Additional protocols available including CAN/ISO BUS & Proportional Control

MATERIALS

- 316 stainless steel ball & stem
- Poly ball available
- Stainless steel hardware
- Fiberglass reinforced polypropylene
- PTFE seats
- FKM stem seals

ON/OFF

- Red = +12V DC
- Black = Ground
- White = +12VDC (Open)
0VDC (Close)

4 WIRE REGULATING

- Red = +12V DC (Open)
- White = Ground (Open)
- Black = +12V DC (Close)
- Green = Ground (Close)



3/4" - 1 1/2" EVX ON/OFF BOLTED ELECTRIC VALVES

PART NO	DESCRIPTION	MAX PSI	PIPE SIZE	OPENING THRU BALL	QTY
EVX071	3/4" FULL PORT ELECTRIC VALVE	300	3/4"	1"	1
EVX101	1" FULL PORT ELECTRIC VALVE	300	1"	1"	1
EVX121	1 1/4" STANDARD PORT ELECTRIC VALVE	300	1 1/4"	1"	1
EVX151	1 1/2" FULL PORT ELECTRIC VALVE	250	1 1/2"	1 1/2"	1

3/4" - 1 1/2" EVX REGULATING BOLTED ELECTRIC VALVES

PART NO	DESCRIPTION	MAX PSI	PIPE SIZE	OPENING THRU BALL	QTY
EVXR071	3/4" FULL PORT ELECTRIC VALVE	300	3/4"	1"	1
EVXR101	1" FULL PORT ELECTRIC VALVE	300	1"	1"	1
EVXR151	1 1/2" FULL PORT ELECTRIC VALVE	250	1 1/2"	1 1/2"	1

2" EVX SERIES



FEATURES

- 12-volt DC operated
- 24-volt available
- Open/closed indicator
- ON/OFF has 1½ second response
- Regulating has 4 second response
- Open / Close verification available
- IP68 waterproof
- -0 to 150F (-18 to 65C) operating
- -67 to 221F (-55 to 105C) storage
- On/Off Actuator rated to 500,000 cycles
- Regulating Actuator rated to 250,000 cycles
- Valve rated to 50,000 cycles leak-free
- Bolted valves have the same exact dimensions as our legacy EV valves.
- Additional protocols available including CAN/ISO BUS & Proportional Control

MATERIALS

- 316 stainless steel ball & stem
- Poly ball available
- Stainless steel hardware
- Fiberglass reinforced polypropylene
- PTFE seats
- FKM stem seals

ON/OFF

- Red = +12V DC
- Black = Ground
- White = +12VDC (Open)
0VDC (Close)

4 WIRE REGULATING

- Red = +12V DC (Open)
- White = Ground (Open)
- Black = +12V DC (Close)
- Green = Ground (Close)

2" EVX ON/OFF BOLTED ELECTRIC VALVES

PART NO	DESCRIPTION	MAX PSI	PIPE SIZE	OPENING THRU BALL	QTY
EVX201	2" STANDARD PORT ELECTRIC VALVE	250	2"	1½"	1
EVX221	2" FULL PORT ELECTRIC VALVE	125	2"	2"	1

2" EVX REGULATING BOLTED ELECTRIC VALVES

PART NO	DESCRIPTION	MAX PSI	PIPE SIZE	OPENING THRU BALL	QTY
EVXR201	2" STANDARD PORT ELECTRIC VALVE	250	2"	1½"	1
EVXR221	2" FULL PORT ELECTRIC VALVE	125	2"	2"	1

ELECTRIC VALVES

3" EVX SERIES

FEATURES

- 12-volt DC operated
- 24-volt available
- Open/closed indicator
- ON/OFF has 4 second response
- Regulating has 4 second response
- Open / Close verification available
- IP68 waterproof
- -0 to 150F (-18 to 65C) operating
- -67 to 221F (-55 to 105C) storage
- Actuator rated to 250,000 cycles
- Valve rated to 50,000 cycles leak-free
- Additional protocols available including CAN/ISO BUS & Proportional Control

MATERIALS

- 316 stainless steel ball & stem
- Stainless steel hardware
- Fiberglass reinforced polypropylene
- Zinc alloy lower actuator housing
- PTFE seats
- FKM stem seals

ON/OFF

- Red = +12V DC
- Black = Ground
- White = +12VDC (Open)
0VDC (Close)

4 WIRE REGULATING

- Red = +12V DC (Open)
- White = Ground (Open)
- Black = +12V DC (Close)
- Green = Ground (Close)



3" EVX ON/OFF ELECTRIC VALVES

PART NO	DESCRIPTION	MAX PSI	PIPE SIZE	OPENING THRU BALL	QTY
EVX300	3" FULL PORT ELECTRIC VALVE	150	3"	3"	1

3" EVX REGULATING ELECTRIC VALVES

PART NO	DESCRIPTION	MAX PSI	PIPE SIZE	OPENING THRU BALL	QTY
EVXR300	3" FULL PORT ELECTRIC VALVE	125	3"	3"	1

3/4" - 2" EVX SERIES BOTTOM & SIDE LOAD VALVES

FEATURES

- 12-volt DC operated
- 24-volt available
- Open/closed indicator
- 1" & 1¼" ON/OFF has ¾ second response
- 1½" & 2" ON/OFF has 1½" second response
- Open / Close verification available
- IP68 waterproof
- -0 to 150F (-18 to 65C) operating
- -67 to 221F (-55 to 105C) storage
- On/Off Actuator rated to 500,000 cycles
- Valve rated to 50,000 cycles leak-free
- These bolted valves have the exact same dimensions as our legacy EV valves.
- Additional protocols available including CAN/ISO BUS & Proportional Control

MATERIALS

- 316 stainless steel ball & stem
- Stainless steel hardware
- Fiberglass reinforced polypropylene
- PTFE seats
- FKM stem seals

ON/OFF

- Red = +12V DC
- Black = Ground
- White = +12VDC (Open)
0VDC (Close)

4 WIRE REGULATING

- Red = +12V DC (Open)
- White = Ground (Open)
- Black = +12V DC (Close)
- Green = Ground (Close)



3/4"-2" EVX BOLTED BOTTOM LOAD ELECTRIC VALVES

PART NO	DESCRIPTION	MAX PSI	PIPE SIZE	OPENING THRU BALL	QTY
EVX075BL	¾" FULL PORT BOTTOM LOAD ELECTRIC VALVE	300	¾"	1"	1
EVX100BL	1" FULL PORT BOTTOM LOAD ELECTRIC VALVE	300	1"	1"	1
EVX125BL	1¼" FULL PORT SIDE LOAD ELECTRIC VALVE	250	1¼"	1"	1
EVX150BL	1½" FULL PORT SIDE LOAD ELECTRIC VALVE	250	1½"	1½"	1
EVX200BL	2" STANDARD PORT BOTTOM LOAD ELECTRIC VALVE	250	2"	1½"	1
EVX220BL	2" FULL PORT BOTTOM LOAD ELECTRIC VALVE	125	2"	2"	1

3/4"-2" EVX BOLTED SIDE LOAD ELECTRIC VALVES

PART NO	DESCRIPTION	MAX PSI	PIPE SIZE	OPENING THRU BALL	QTY
EVX075SL	¾" FULL PORT SIDE LOAD ELECTRIC VALVE	300	¾"	1"	1
EVX100SL	1" FULL PORT SIDE LOAD ELECTRIC VALVE	300	1"	1"	1
EVX125SL	1¼" FULL PORT SIDE LOAD ELECTRIC VALVE	250	1¼"	1"	1
EVX150SL	1½" FULL PORT SIDE LOAD ELECTRIC VALVE	250	1½"	1½"	1
EVX200SL	2" STANDARD PORT SIDE LOAD ELECTRIC VALVE	250	2"	1½"	1
EVX220SL	2" FULL PORT SIDE LOAD ELECTRIC VALVE	125	2"	2"	1

ELECTRIC VALVES

3/8" - 1/2" LEV SERIES

FEATURES

- 12 Volt DC
- Stationary current draw: less than 0.04 amps
- Rotating current draw: less than 0.40 amps
- Stall current: 0.75 amps
- Response time: 1/3 second open to close
- TFM seats
- EPDM seals
- Fiberglass reinforced polypropylene
- Integrated mounting slot
- Standard 3 wire configuration



LEV038



LEV050

3/8" - 1/2" ON/OFF ELECTRIC VALVES

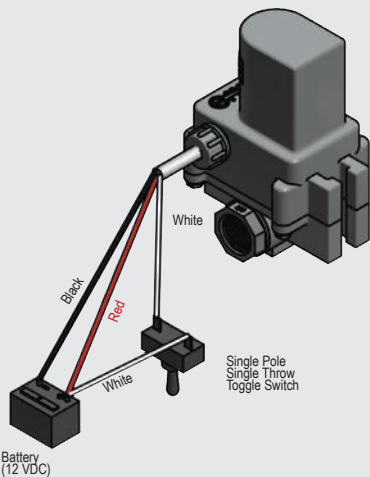
PART NO	DESCRIPTION	MAX PSI	PIPE SIZE	OPENING THRU BALL	QTY
LEV038	3/8" FULL PORT ELECTRIC VALVE	300	3/8"	3/8"	1
LEV050	1/2" ELECTRIC VALVE	300	1/2"	15/32"	1



LEV038PL

3/8" ELECTRIC VALVES W/ PUSH LOCK

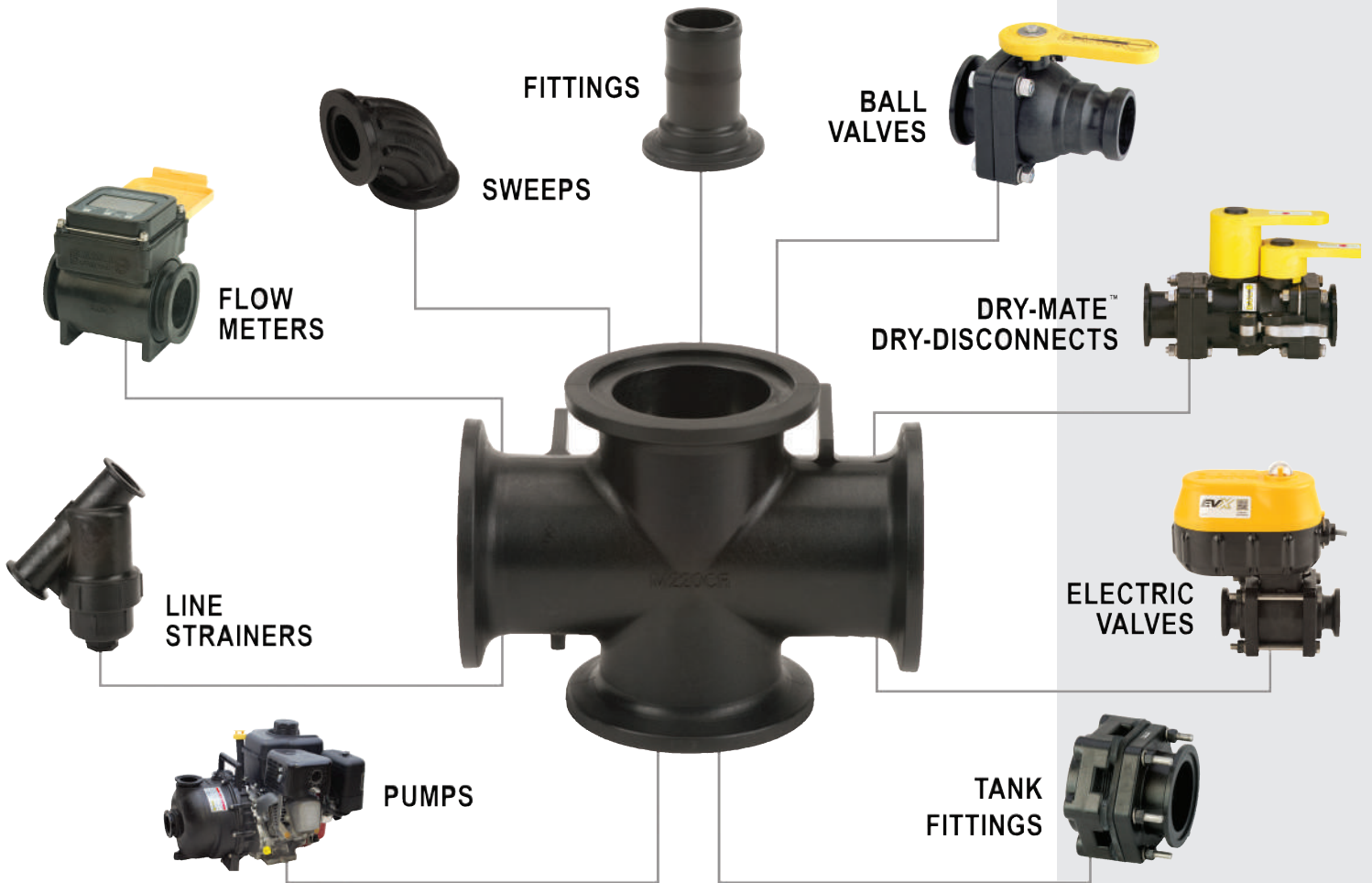
PART NO	DESCRIPTION	MAX PSI	PIPE SIZE	OPENING THRU BALL	QTY
LEV038PL	3/8" FULL PORT ELECTRIC VALVE W/ PUSH LOCK	150	3/8"	3/8"	1



MANIFOLD FLANGE CONNECTIONS

NO THREADS. NO SWEAT.

FLANGE CONNECTIONS FOR EVERY PRODUCT



⚙️ SKIP THE TAPE AND SEALANT

Flange connections utilize clamp seals instead of threads, facilitating quick and easy assembly and disassembly while ensuring a leak-proof system. Threaded pipe needs tape or sealant, and the slightest imperfection in the pipe or seal can cause a leak. With properly installed flange connections, you won't worry about connection leaks or wait for sealant to cure.

⌚ SAVE TIME. SAVE MONEY.

Time spent unthreading systems and repairing leaks from faulty connections is unproductive and ultimately hits your pocketbook. Banjo's manifold flange systems get you back in the field and out of the shop in no time.

➡️ GET RIGHT TO THE SOURCE

With Banjo manifold flange connections, the days of spending hours unhooking entire systems of valves and fittings are over. You can directly isolate and replace the problematic part or replumb sections without disassembling the whole system.

MANIFOLD FLANGE CONNECTIONS

1" MEVX SERIES

FEATURES

- 12-volt DC operated
- 24-volt available
- Open/closed indicator
- ON/OFF has ¾ second response
- Regulating has 4 second response
- Open / Close verification available
- IP68 waterproof
- -0 to 150F (-18 to 65C) operating
- -67 to 221F (-55 to 105C) storage
- On/Off Actuator rated to 500,000 cycles
- Regulating Actuator rated to 250,000 cycles
- Valve rated to 50,000 cycles leak-free
- Bolted valves have the same exact dimensions as our legacy EV valves.
- Additional protocols available including CAN/ISO BUS & Proportional Control

MATERIALS

- 316 stainless steel ball & stem
- Poly ball available on bolted valves
- Stainless steel hardware
- Fiberglass reinforced polypropylene
- PTFE seats
- FKM stem seals

ON/OFF

- Red = +12V DC
- Black = Ground
- White = +12VDC (Open)
0VDC (Close)

4 WIRE REGULATING

- Red = +12V DC (Open)
- White = Ground (Open)
- Black = +12V DC (Close)
- Green = Ground (Close)



1" MEVX ON/OFF WELDED ELECTRIC VALVES

PART NO	DESCRIPTION	MAX PSI	PIPE SIZE	OPENING THRU BALL	QTY
MEVX100	1" FULL PORT ELECTRIC VALVE	300	1"	1"	1

1" MEVX REGULATING WELDED ELECTRIC VALVES

PART NO	DESCRIPTION	MAX PSI	PIPE SIZE	OPENING THRU BALL	QTY
MEVXR100	1" FULL PORT ELECTRIC VALVE	300	1"	1"	1

1" MEVX ON/OFF BOLTED ELECTRIC VALVES

PART NO	DESCRIPTION	MAX PSI	PIPE SIZE	OPENING THRU BALL	QTY
MEVX101	1" FULL PORT ELECTRIC VALVE	300	1"	1"	1

1" MEVX REGULATING BOLTED ELECTRIC VALVES

PART NO	DESCRIPTION	MAX PSI	PIPE SIZE	OPENING THRU BALL	QTY
MEVXR101	1" FULL PORT ELECTRIC VALVE	300	1"	1"	1

MANIFOLD FLANGE CONNECTIONS



2" MEVX SERIES

FEATURES

- 12-volt DC operated
- 24-volt available
- Open/closed indicator
- ON/OFF has 1½ second response
- Regulating has 4 second response
- Open / Close verification available
- IP68 waterproof
- -0 to 150F (-18 to 65C) operating
- -67 to 221F (-55 to 105C) storage
- On/Off Actuator rated to 500,000 cycles
- Regulating Actuator rated to 250,000 cycles
- Valve rated to 50,000 cycles leak-free
- Bolted valves have the same exact dimensions as our legacy EV valves.
- Additional protocols available including CAN/ISO BUS & Proportional Control

MATERIALS

- 316 stainless steel ball & stem
- Poly ball available on bolted valves
- Stainless steel hardware
- Fiberglass reinforced polypropylene
- PTFE seats
- FKM stem seals

ON/OFF

- Red = +12V DC
- Black = Ground
- White = +12VDC (Open)
0VDC (Close)

4 WIRE REGULATING

- Red = +12V DC (Open)
- White = Ground (Open)
- Black = +12V DC (Close)
- Green = Ground (Close)

2" MEVX ON/OFF WELDED ELECTRIC VALVES

PART NO	DESCRIPTION	MAX PSI	PIPE SIZE	OPENING THRU BALL	QTY
MEVX200	2" STANDARD PORT ELECTRIC VALVE	300	2"	1½"	1
MEVX220	2" FULL PORT ELECTRIC VALVE	250	2"	2"	1

2" MEVX REGULATING WELDED ELECTRIC VALVES

PART NO	DESCRIPTION	MAX PSI	PIPE SIZE	OPENING THRU BALL	QTY
MEVXR200	2" STANDARD PORT ELECTRIC VALVE	250	2"	1½"	1
MEVXR220	2" FULL PORT ELECTRIC VALVE	250	2"	2"	1

2" MEVX ON/OFF BOLTED ELECTRIC VALVES

PART NO	DESCRIPTION	MAX PSI	PIPE SIZE	OPENING THRU BALL	QTY
MEVX201	2" STANDARD PORT ELECTRIC VALVE	250	2"	1½"	1
MEVX221	2" FULL PORT ELECTRIC VALVE	125	2"	2"	1

MANIFOLD FLANGE CONNECTIONS

3" MEVX SERIES

FEATURES

- 12-volt DC operated
- 24-volt available
- Open/closed indicator
- ON/OFF 3" has 4 second response
- Regulating 3" has 4 second response
- Open / Close verification available
- IP68 waterproof
- -0 to 150F (-18 to 65C) operating
- -67 to 221F (-55 to 105C) storage
- Actuator rated to 250,000 cycles
- Valve rated to 50,000 cycles leak-free
- Additional protocols available including CAN/ISO BUS & Proportional Control



MATERIALS

- 316 stainless steel ball & stem
- Stainless steel hardware
- Fiberglass reinforced polypropylene
- Zinc alloy lower actuator housing
- PTFE seats
- FKM stem seals

ON/OFF

- Red = +12V DC
- Black = Ground
- White = +12VDC (Open)
0VDC (Close)

4 WIRE REGULATING

- Red = +12V DC (Open)
- White = Ground (Open)
- Black = +12V DC (Close)
- Green = Ground (Close)

3" MEVX ON/OFF ELECTRIC VALVES

PART NO	DESCRIPTION	MAX PSI	PIPE SIZE	OPENING THRU BALL	QTY
MEVX300	3" FULL PORT ELECTRIC VALVE	125	3"	3"	1

3" MEVX REGULATING ELECTRIC VALVES

PART NO	DESCRIPTION	MAX PSI	PIPE SIZE	OPENING THRU BALL	QTY
MEVXR300	3" FULL PORT ELECTRIC VALVE	125	3"	3"	1

MANIFOLD FLANGE CONNECTIONS

1" - 3" MEVX SERIES BOTTOM & SIDE LOAD VALVES



FEATURES

- 12-volt DC operated
- 24-volt available
- Open/closed indicator
- ON/OFF 1" has ¾ second response
- ON/OFF 2" has 1½ second response
- ON/OFF 3" has 4 second response
- Open / Close verification available
- IP68 waterproof
- -0 to 150F (-18 to 65C) operating
- -67 to 221F (-55 to 105C) storage
- 1"-2" On/Off Actuator rated to 500,000 cycles
- 3" On/Off & Regulating Actuator rated to 250,000 cycles
- Valve rated to 50,000 cycles leak-free
- Additional protocols available including CAN/ISO BUS & Proportional Control

1"-3" MEVX BOTTOM LOAD ELECTRIC VALVES

PART NO	DESCRIPTION	MAX PSI	PIPE SIZE	OPENING THRU BALL	QTY
MEVX100BL	1" FULL PORT MANIFOLD BOTTOM LOAD ELECTRIC VALVE	300	1"	1"	1
MEVX200BL	2" STANDARD PORT MANIFOLD BOTTOM LOAD ELECTRIC VALVE	250	2"	1½"	1
MEVX220BL	2" FULL PORT MANIFOLD BOTTOM LOAD ELECTRIC VALVE	125	2"	2"	1
MEVX300BL	3" FULL PORT MANIFOLD BOTTOM LOAD ELECTRIC VALVE	125	3"	3"	1

1"-2" MEVX SIDE LOAD ELECTRIC VALVES

PART NO	DESCRIPTION	MAX PSI	PIPE SIZE	OPENING THRU BALL	QTY
MEVX100SL	1" FULL PORT MANIFOLD SIDE LOAD ELECTRIC VALVE	300	1"	1"	1
MEVX200SL	2" STANDARD PORT MANIFOLD SIDE LOAD ELECTRIC VALVE	250	2"	1½"	1
MEVX220SL	2" FULL PORT MANIFOLD SIDE LOAD ELECTRIC VALVE	125	2"	2"	1

1"-2" MEVX SIDE LOAD REGULATING ELECTRIC VALVES

PART NO	DESCRIPTION	MAX PSI	PIPE SIZE	OPENING THRU BALL	QTY
MEVXR100SL	1" FULL PORT MANIFOLD SIDE LOAD ELECTRIC VALVE	300	1"	1"	1
MEVXR200SL	2" STANDARD PORT MANIFOLD SIDE LOAD ELECTRIC VALVE	250	2"	1½"	1
MEVXR220SL	2" FULL PORT MANIFOLD SIDE LOAD ELECTRIC VALVE	125	2"	2"	1

MATERIALS

- 316 stainless steel ball & stem
- Stainless steel hardware
- Fiberglass reinforced polypropylene
- Zinc alloy lower actuator housing (3" only)
- PTFE seats
- FKM stem seals

ON/OFF

- Red = +12V DC
- Black = Ground
- White = +12VDC (Open)
0VDC (Close)

4 WIRE REGULATING

- Red = +12V DC (Open)
- White = Ground (Open)
- Black = +12V DC (Close)
- Green = Ground (Close)

MANIFOLD FLANGE CONNECTIONS

MEVX BANKED VALVES

FEATURES

- Valve sizes 1"-2" SP
- Number of valves from two to five bank
- Welded or bolted valves available
- Bolted valves have the same exact dimensions as our legacy EV valves.
- Additional protocols available including CAN/ISO BUS & Proportional Control



MEVX ON/OFF WELDED BANKED ELECTRIC VALVES

PART NO	DESCRIPTION	MAX PSI	PIPE SIZE	OPENING THRU BALL	QTY
MEVX102	1" FULL PORT 2 BANK ELECTRIC VALVE	300	1"	1"	1
MEVX103	1" FULL PORT 3 BANK ELECTRIC VALVE	300	1"	1"	1
MEVX104	1" FULL PORT 4 BANK ELECTRIC VALVE	300	1"	1"	1

MEVX ON/OFF BOLTED BANKED ELECTRIC VALVES

PART NO	DESCRIPTION	MAX PSI	PIPE SIZE	OPENING THRU BALL	QTY
MEVX1012	1" FULL PORT 2 BANK ELECTRIC VALVE	300	1"	1"	1
MEVX1013	1" FULL PORT 3 BANK ELECTRIC VALVE	300	1"	1"	1
MEVX1014	1" FULL PORT 4 BANK ELECTRIC VALVE	300	1"	1"	1

1" LEV ELECTRIC MANIFOLD VALVE

FEATURES

- TFM seats & EPDM seals
- 12-volt DC operated
- Internally fused/automatic reset
- Stationary current draw: less than 0.04 amps
- Rotating current draw: less than 0.40 amps
- Stall current: 0.75 amps
- 1/3 second response time
- Integrated mounting slot
- 3 wire configuration
- Higher torque motor to power through thick liquids and demanding applications. (MLEV100A)
- Reinforced nylon stem more than triples the strength of the standard 1" LEV. (MLEV100A)



1" ON/OFF ELECTRIC VALVES

PART NO	DESCRIPTION	MAX PSI	PIPE SIZE	OPENING THRU BALL	QTY
MLEV100	1" MANIFOLD ELECTRIC VALVE	300	1"	1/2"	1
MLEV100A	1" MANIFOLD ELECTRIC VALVE WITH HIGHER TORQUE MOTOR, SS BALL	300	1"	1/2"	1
MLEV100C	1" MANIFOLD ELECTRIC VALVE WITH HIGHER TORQUE MOTOR, SS BALL, 3 WIRE	300	1"	1/2"	1

ON/OFF

- Red = +12V DC
- Black = Ground
- White = +12VDC (Open)
0VDC (Close)

MANIFOLD FLANGE CONNECTIONS



MV200CF

MV300CF

MANIFOLD 4 & 6 BOLTED VALVES

PART NO	DESCRIPTION	MAX PSI	PIPE SIZE	OPENING THRU BALL	LOT QTY	REPLACEMENT HANDLE	REPAIR KIT
MV100CF	1" FULL PORT MANIFOLD VALVE	300	1"	1"	12	V10153A	V10200
MV200CF	2" STANDARD PORT MANIFOLD VALVE	225	2"	1½"	12/BOX	V20153	N/A
MV220CF	2" FULL PORT MANIFOLD VALVE	300	2"	2"	8/BOX	V25153	V25200
MV300	3" STANDARD PORT MANIFOLD VALVE	150	3"	2½"	6/BOX	V25153	V30200
MV300CF	3" FULL PORT MANIFOLD VALVE	200	3"	3"	6/BOX	V25153	V35200

1" - 3" 4 & 6 BOLTED VALVES

FEATURES

- FKM seals.
- Precision molded polypropylene is reinforced with fiberglass for additional strength
- Self-aligning ball moves freely against the PTFE seats for smooth operation. The valve opens and closes with very little pressure on the handle
- Ball is diamond turned, after molding, to make it spherically perfect, which provides precise contact between ball and seats.
- PTFE self-lubricating stem bushings and seats cannot stick or bind
- Stainless steel bolts

REPAIR KIT INCLUDES:

- Ball
- Body gasket
- Thrust washer
- Ball seats
- Upper stem bushing
- Stem o-ring



MANIFOLD BOLTED 5 WAY VALVE

PART NO	DESCRIPTION	MAX PSI	PIPE SIZE	OPENING THRU BALL	QTY
MV225CF	2" FULL PORT MANIFOLD 5 WAY VALVE	100	2"	2"	1

2" BOLTED 5 WAY VALVE

FEATURES

- FKM seals
- Precision molded polypropylene is reinforced with fiberglass for additional strength
- Self-aligning ball moves freely against the PTFE seats for smooth operation. The valve opens and closes with very little pressure on the handle
- Ball is diamond turned, after molding, to make it spherically perfect, which provides precise contact between ball and seats.
- PTFE self-lubricating stem bushings and seats cannot stick or bind
- Stainless steel bolts

MANIFOLD FLANGE CONNECTIONS

2" STUBBY VALVES

FEATURES

- Precision molded polypropylene is reinforced with fiberglass for additional strength.
- Self-aligning ball moves freely against the PTFE seats for smooth operation. The valve opens and closes with very little pressure on the handle.
- Ball is diamond turned, after molding, to make it spherically perfect, which provides precise contact between ball and seats.
- PTFE self-lubricating stem bushings and seats cannot stick or bind.
- Stainless steel bolts.
- Standard size has TFE seals and Full Port size has FKM seals



VSMT200CF



VSF200CF



MVS220FP



MVSF220FP



MVS220CF



MVSMT220FP

2" MANIFOLD STUBBY VALVES

PART NO	DESCRIPTION	MAX PSI	PIPE SIZE	OPENING THRU BALL	LOT QTY	REPLACEMENT HANDLE	REPAIR KIT
VSMT200CF	2" STANDARD PORT MANIFOLD VALVE FLANGE X MALE NPT W/TFE SEALS	150	2"	1½"	6	VS20152SH	N/A
VSF200CF	2" STANDARD PORT MANIFOLD VALVE FLANGE X MALE ADAPTER W/TFE SEALS	100	2"	1½"	6	VS20152SH	N/A
MVS220FP	2" FULL PORT MANIFOLD VALVE FLANGE X FEMALE NPT W/FKM SEALS	300	2"	2"	6	VS25153	VS25200
MVSF220FP	2" FULL PORT MANIFOLD VALVE FLANGE X MALE ADAPTER W/FKM SEALS	150	2"	2"	9	VS25153	VS25200
MVS220CF	2" FULL PORT MANIFOLD VALVE FLANGE X FLANGE W/FKM SEALS	150	2"	2"	9	VS25153	VS25200
MVSMT220FP	2" FULL PORT MANIFOLD VALVE FLANGE X MALE NPT W/FKM SEALS	225	2"	2"	9	VS25153	VS25200

Note: N/A repair kits, components available.

MANIFOLD FLANGE CONNECTIONS

2" FP STUBBY STAINLESS STEEL VALVE



VSFMT220SS

FEATURES

- PTFE seals, no elastomers
- Self-aligning ball moves freely against the PTFE seats for smooth operation. The valve opens and closes with very little pressure on the handle
- PTFE self-lubricating stem bushings and seats cannot stick or bind

2" FULL PORT STUBBY STAINLESS STEEL VALVE

PART NO	DESCRIPTION	MAX PSI	PIPE SIZE	OPENING THRU BALL	QTY	REPLACEMENT HANDLE	REPAIR KIT
VSFMT220SS	2" FULL PORT STUBBY SS VALVE MALE THREAD X MALE ADAPTER	225	2"	2"	1	VSS20153	VSS25200

MANIFOLD FLANGE CONNECTIONS

3" STUBBY VALVES

FEATURES

- FKM seals.
- Precision molded polypropylene is reinforced with fiberglass for additional strength.
- Self-aligning ball moves freely against the PTFE seats for smooth operation. The valve opens and closes with very little pressure on the handle.
- Ball is diamond turned, after molding, to make it spherically perfect, which provides precise contact between ball and seats.
- PTFE self-lubricating stem bushings and seats cannot stick or bind.
- Stainless steel bolts.



MVSF300

MVSF300FP



MVSMT300

MVS300CF



MVS300CFPP

3" MANIFOLD STUBBY VALVES

PART NO	DESCRIPTION	MAX PSI	PIPE SIZE	OPENING THRU BALL	LOT QTY	REPLACEMENT HANDLE	REPAIR KIT
MVSF300	3" STANDARD PORT MANIFOLD VALVE FLANGE X MALE ADAPTER	100	3"	2½"	6/BOX	V25153	N/A
MVSF300FP	3" FULL PORT MANIFOLD VALVE FLANGE X MALE ADAPTER	100	3"	3"	6/BOX	V25153	VS35200
MVSMT300	3" STANDARD PORT MANIFOLD VALVE FLANGE X MALE NPT	225	3"	2½"	4	V25153	N/A
MVS300CF	3" STANDARD PORT MANIFOLD VALVE FLANGE X FLANGE	200	3"	2½"	6/BOX	V25153	N/A
MVS300CFPP	3" FULL PORT MANIFOLD VALVE FLANGE X FLANGE	150	3"	3"	6/BOX	V25153	VS35200

Note: N/A repair kits, components available.

MANIFOLD FLANGE CONNECTIONS

3" FP STUBBY VALVES WITH STAINLESS STEEL

FEATURES

- Precision molded polypropylene is reinforced with fiberglass for additional strength.
- Self-aligning ball moves freely against the PTFE seats for smooth operation. The valve opens and closes with very little pressure on the handle.
- Ball is diamond turned, after molding, to make it spherically perfect, which provides precise contact between ball and seats.
- Stainless steel bolts
- Compact design
- FKM seals



MVS300HSFP



MVSMT300HSFP

3" FULL PORT MANIFOLD STUBBY VALVES WITH SS

PART NO	DESCRIPTION	MAX PSI	PIPE SIZE	OPENING THRU BALL	QTY	REPLACEMENT HANDLE
MVS300HSFP	3" FULL PORT MANIFOLD STUBBY VALVE FLANGE X FLANGE WITH SS BALL, STEM & HANDLE	100	3"	3"	1	VS30153SS
MVSMT300HSFP	3" FULL PORT MANIFOLD STUBBY VALVE MALE NPT X FLANGE WITH SS BALL, STEM & HANDLE	200	3"	3"	1	VS30153SS

MANIFOLD FLANGE CONNECTIONS

3 WAY BOTTOM LOAD BALL VALVES

FEATURES

- Stainless steel bolts
- Precision molded in fiberglass reinforced polypropylene for additional strength
- Self-aligning ball moves freely against the PTFE seats for smooth operation
- Ball is diamond turned after molding to make it spherically perfect, which provides precise contact between ball and seats
- PTFE self-lubricating stem bushings and seats
- FKM body seals
- Directional flow, right or left. Valve can be turned off to stop flow

REPAIR KIT INCLUDES:

- Ball
- Body gasket
- Thrust washer
- Ball seats
- Upper stem bushing
- Stem o-ring



3 WAY BOTTOM LOAD MANIFOLD VALVES

PART NO	DESCRIPTION	MAX PSI	PIPE SIZE	OPENING THRU BALL	LOT QTY	HANDLE TYPE	REPLACEMENT HANDLE	REPAIR KIT
MV100BL	1" FP 3-WAY BOTTOM LOAD MANIFOLD VALVE	300	1"	1"	6	T	N/A	N/A
MV200BL	2" SP 3-WAY BOTTOM LOAD MANIFOLD VALVE	225	2"	1½"	6	T	V20353TB	V15300SL
MV220BL	2" FP 3-WAY BOTTOM LOAD MANIFOLD VALVE	150	2"	2"	8/BOX	STRAIGHT	V25353B	N/A
MV300BL	3" FP 3-WAY BOTTOM LOAD MANIFOLD VALVE	150	3"	3"	4/BOX	STRAIGHT	V25353B	V35200BL

3 WAY SIDE LOAD BALL VALVES

FEATURES

- Stainless steel bolts
- Precision molded in fiberglass reinforced polypropylene for additional strength
- Self-aligning ball moves freely against the PTFE seats for smooth operation
- Ball is diamond turned after molding to make it spherically perfect, which provides precise contact between ball and seats
- PTFE self-lubricating stem bushings and seats
- FKM body seals
- Directional flow, right or left. Valve cannot be turned off to stop flow



3 WAY SIDE LOAD MANIFOLD VALVES

PART NO	DESCRIPTION	MAX PSI	PIPE SIZE	OPENING THRU BALL	LOT QTY	HANDLE TYPE	REPLACEMENT HANDLE	REPAIR KIT
MV100SL	1" FP 3-WAY SIDE LOAD MANIFOLD VALVE	300	1"	1"	6	T	N/A	N/A
MV200SL	2" SP 3-WAY SIDE LOAD MANIFOLD VALVE	225	2"	1½"	5	STRAIGHT	V20153SH	V15300SL
MV220SL	2" FP 3-WAY SIDE LOAD FULL PORT MANIFOLD VALVE	100	2"	2"	8/BOX	STRAIGHT	V25153SH	V25200BL

MANIFOLD FLANGE CONNECTIONS

PRESSURE SPIKE VALVES



FEATURES

- FKM seals.
- Precision molded polypropylene is reinforced with fiberglass for additional strength.
- 360° orientation
- Preset pressure spring

MANIFOLD PRESSURE SPIKE VALVES

PART NO	DESCRIPTION	CRACKING PRESSURE	MAX PSI	QTY
MPRV100-050	1" X 1" MANIFOLD PRESSURE SPIKE VALVE	50	300	1
MPRV100-075	1" X 1" MANIFOLD PRESSURE SPIKE VALVE	75	300	1
MPRV100-100	1" X 1" MANIFOLD PRESSURE SPIKE VALVE	100	300	1
MPRV100-125	1" X 1" MANIFOLD PRESSURE SPIKE VALVE	125	300	1

DRY-MATE™ DRY-DISCONNECTS



FEATURES

- Easy to use
- Minimal fluid spillage
- Reduces risk of exposure
- Wide range of chemical resistance
- When properly installed and operated, the assembly will not accidentally separate while fluid is flowing; preventing costly mishaps.
- Spillage data: 2"=4ml, 3"=15ml

MANIFOLD DRY DISCONNECTS

PART NO	DESCRIPTION	MAX PSI	PIPE SIZE	OPENING THRU BALL	QTY	REPLACEMENT HANDLE	REPAIR KIT
DM200ACF	2" MALE MANIFOLD DRY-MATE WITH FKM SEALS	100	2"	1½"	1	DM20153M	DM20200A
DM200DCF	2" FEMALE MANIFOLD DRY-MATE WITH FKM SEALS	100	2"	1½"	1	DM20153F	DM20200D
DM300ACF	3" MALE MANIFOLD DRY-MATE WITH FKM SEALS	150	3"	3"	1	DM35153M	DM35200
DM300DCF	3" FEMALE MANIFOLD DRY-MATE WITH FKM SEALS	150	3"	3"	1	DM35153F	DM35200

REPAIR KIT INCLUDES:

- Face seal
- Ball
- Seats
- Body gasket
- Thrust bearings
- Stem bushings

Note: Male and female sold separately

MANIFOLD FLANGE CONNECTIONS

BOOM NOZZLE PIPE ADAPTER

FEATURES

- Eliminates having to thread pipe
- Quick and easy assembly
- No welding necessary
- 360° orientation



M100PA



M100PAC



M100PAT

BOOM NOZZLE PIPE ADAPTER

PART NO	DESCRIPTION	MAX PSI	LOT QTY
M100PA	1" FLANGED PIPE ADAPTER	300	10
M100PAC	1" FLANGED PIPE ADAPTER CAP	300	1
M100PAT	1" FLANGED PIPE ADAPTER TEE	300	1

INDUCTORS

FEATURES

- Threaded or manifold ends
- Glass reinforced polypropylene
- Designed for use with a volume pump. Typical volumes (80-240 US GPM) and pressures (26-52 PSI) should be used to operate the inductor.



HV200



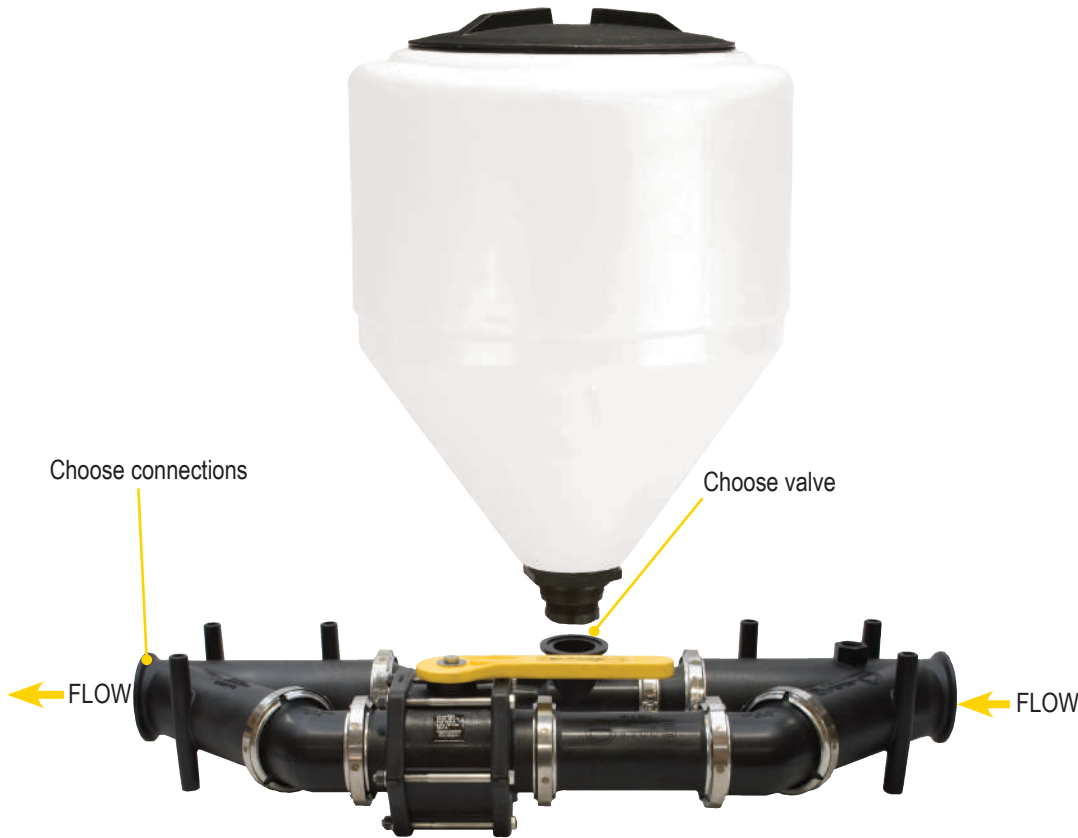
MHV220A

MANIFOLD INDUCTORS

PART NO	DESCRIPTION	PRESSURE AT PUMP	VOLUME DRAW	OPENING SIZE	LOT QTY
HV200	2" MPT INDUCTOR	225	49 GPM	7/16"	1
MHV200	2" MANIFOLD INDUCTOR WITH 1 1/2" PORT	300	37 GPM	5/16"	1
MHV220A	2" FULL PORT MANIFOLD INDUCTOR	225	49 GPM	9/16"	5

MANIFOLD FLANGE CONNECTIONS

INDUCTOR SYSTEMS

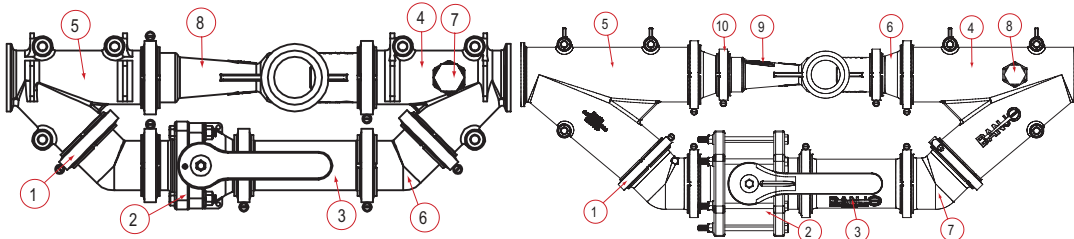


FEATURES

- Installed after pump; suction completely empties inductor tank
- Keeps pump free of chemicals
- Easy assembly/installation with manifold connections found on pages 39-45.
- Choose your connections and valve
- Tank for illustration purposes only, not included

MANIFOLD INDUCTOR SYSTEMS

PART NO	DESCRIPTION	MAX PSI	QTY
MIS220	2" FULL PORT MANIFOLD INDUCTOR SYSTEM FLANGE X FLANGE ASSEMBLED	225	1
MIS300	3" FULL PORT MANIFOLD INDUCTOR SYSTEM FLANGE X FLANGE ASSEMBLED	150	1



MANIFOLD INDUCTORS

ITEM	PART NO	DESCRIPTION	LOT QTY
1	FC220	220 SERIES WORM SCREW CLAMP	10/BAG
2	MVS220CF	2" FP FLANGE X 2" FP FLANGE	9
3	M220CPG6	2" X 2" FULL PORT FLANGE X 6"	5
4	M220YG45	2" FULL PORT 45° Y FLANGE W/ 3/4" GAUGE PORT*	1
5	M220Y45	2" FULL PORT 45° Y FLANGE	5
6	M220CPG45	2" FULL PORT 45° COUPLING	10/BAG
7	PLUG075	3/4" PIPE PLUG	10/BAG
8	MHV220A	2" FULL PORT POLY VENTURI	5
N/S	M221G	2" FULL PORT EPDM MANIFOLD GASKET WITH RIB	30

MANIFOLD INDUCTORS

ITEM	PART NO	DESCRIPTION	LOT QTY
1	FC300	300 SERIES WORM SCREW CLAMP	10/BAG
2	MV301CF	3" FP FLANGE X 3" FP FLANGE	1
3	M300CPG7	3" X 3" FULL PORT FLANGE X 7"	5
4	M300YG45	3" FULL PORT 45° Y FLANGE W/ 3/4" GAUGE PORT*	1
5	M300Y45	3" FULL PORT 45° Y FLANGE	1
6	M300220CPG	3" X 2" FULL PORT REDUCER FLANGE	10
7	M300CPG45	3" FULL PORT 45° COUPLING	10
8	PLUG075	3/4" PIPE PLUG	10/BAG
9	MHV220A	2" FULL PORT POLY VENTURI	5
10	FC220	220 SERIES WORM SCREW CLAMP	10/BAG
N/S	M221G	2" FULL PORT EPDM MANIFOLD GASKET WITH RIB	30
N/S	M301G	3" EPDM MANIFOLD GASKET WITH RIB	50

*Note: Gauge not included.

MANIFOLD FLANGE CONNECTIONS

FLOW METERS

FEATURES

- Displays overall total volume and batch total volume
- Flow rate allows for Gallons or Liters per minute
- The display reads 6 digits for rate, 8 digits for total and 1 decimal place reading in tenths
- Magnetic style meter with stainless steel electrodes
- Self calibrating meter
- Measures water and most conductive liquids
- Easy to change six (6) AA batteries
- No moving parts to fail during use
- Glass-reinforced polypropylene
- Temperature range from 0°F to 150°F
- ±1% of reading (between 10% and 100% of maximum flow)
- ±3% of reading (between cutoff and 10% of maximum flow)
- There are 3 photoeyes located on the face of the flow meter. These are not push buttons; to activate you must hold your finger over the photoeye for 2-4 seconds
- Flow meters will not read petroleum based liquids
- It is recommended to have at least 10X the diameter of straight pipe before and after the flow meter



MFM100



MFM220



MFM300

FLOW METERS

PART NO	DESCRIPTION	MAX PSI	GPM	QTY
MFM100	1" FULL PORT MANIFOLD FLOW METER	200	110 GPM	1
MFM220	2" FULL PORT MANIFOLD FLOW METER	200	300 GPM	1
MFM300	3" FULL PORT FLOW METER	200	670 GPM	1

MANIFOLD FLANGE CONNECTIONS



SWEEPS

FEATURES

- Direct replacement for standard 90° flanged couplings
- Positive seals
- Quick and easy assembly
- Easy on/off hose connections
- 360° orientation
- Improved flow for max GPM

SWEEPS

PART NO	DESCRIPTION	MAX PSI	LOT QTY
M100125BRBSWP90	1" FLANGE X 1 1/4" HOSE BARB SWEEP	300	10/BAG
M100BRBSWP90	1" FLANGE X HOSE BARB SWEEP	300	10/BAG
M100BRBSWPG90	1" FULL PORT FLANGE X 1" HOSE BARB SWEEP W/ 1/4" GAUGE PORT	300	10/BAG
M100SWP90	1" FLANGE X FLANGE SWEEP	300	10/BAG
M100SWPG90	1" FLANGE X FLANGE SWEEP W/ 1/4" GAUGE PORT	300	10/BAG
M200SWP90	2" FLANGE X FLANGE SWEEP	300	10/BAG
M200150BRBSWP90	2" FLANGE X 1 1/2" HOSE BARB SWEEP	300	10/BAG
M220200SWP90	2" FULL PORT FLANGE X 2" FLANGE SWEEP	300	10/BAG
M220ASWP90	2" FULL PORT FLANGE X MALE ADAPTER SWEEP	200	10/BAG
M220BRBSWP90	2" FULL PORT FLANGE X HOSE BARB SWEEP	300	10
M220MPTSWP90	2" FULL PORT FLANGE X MALE NPT THREAD SWEEP	300	1
M220SWP90	2" FULL PORT FLANGE X FLANGE SWEEP	300	10/BAG
M220SWPG90	2" FULL PORT FLANGE X FLANGE SWEEP W/ 1/4" GAUGE PORT	300	1
M300ASWP90	3" FLANGE X MALE ADAPTER SWEEP	100	1
M300BRBSWP90	3" FLANGE X HOSE BARB SWEEP	225	10
M300MPTSWP90	3" FLANGE X MALE NPT THREAD SWEEP	200	1
M300SWP90	3" FLANGE X FLANGE SWEEP	200	10
M300SWPG90	3" FLANGE X FLANGE SWEEP W/ 1/4" GAUGE PORT	200	1
M300220SWP90	3" FULL PORT FLANGE X 2" FULL PORT FLANGE SWEEP	300	1

MANIFOLD FLANGE CONNECTIONS

FITTINGS

FEATURES

- Quick and easy assembly
- Positive seals
- Easy on/off hose connections
- 360° orientation
- Where noted, parts must be ordered in bag quantities.



SWIVEL

PART NO	DESCRIPTION	MAX PSI	QTY
MSW220	2" FULL PORT MANIFOLD FLANGE SWIVEL	200	1

CHECK VALVES

PART NO	DESCRIPTION	OPENING PRESSURE PSI	MAX PSI	LOT QTY
MCV100	1" FLANGED CHECK VALVE	1	300	10
MCV200	2" FLANGED CHECK VALVE	0.5	300	10
MCV221	2" FULL PORT FLANGED CHECK VALVE	>0.5	200	10
MCV300	3" FLANGED CHECK VALVE W/5 LB SPRING	1.5	200	1
MCV301	3" FLANGED CHECK VALVE W/1/2 LB SPRING	>0.5	N/A	1

PVC GLUE SOCKET

PART NO	DESCRIPTION	MAX PSI	LOT QTY
M221GSA	2" FULL PORT FLANGE X 2" PVC GLUE SOCKET FITTING	300	10
M301GSA	3" FULL PORT FLANGE X 3" PVC GLUE SOCKET FITTING	300	1

316 SS SOCKET WELD

PART NO	DESCRIPTION	MAX PSI	LOT QTY
M100SWFSS	1" FLANGE X 1" SOCKET WELD FITTING	300	10
M200SWFSS	2" FLANGE X 2" SOCKET WELD FITTING	300	1
M220SWFSS	2" FULL PORT FLANGE X 2" SOCKET WELD FITTING	300	10
M220375SWFSS	2" FULL PORT FLANGE X 2" SOCKET WELD FITTING X 3/4"	300	1
M300SWFSS	3" FLANGE X 3" SOCKET WELD FITTING	300	10
M300375SWFSS	3" FLANGE X 3" SOCKET WELD FITTING X 3/4"	300	1

COUPLINGS

PART NO	DESCRIPTION	MAX PSI	LOT QTY
M100CPG	1" X 1" FLANGE X 2 1/4" LONG	300	10/BAG
M200CPG	2" X 2" FLANGE X 4 1/2" LONG	300	10/BAG
M220CPG	2" X 2" FULL PORT FLANGE X 2 31/32" LONG	300	10/BAG
M220CPG3G	2" X 2" FULL PORT FLANGE X 3" LONG WITH 1/2" GAUGE PORT	225	1
M220CPG6	2" X 2" FULL PORT FLANGE X 6" LONG	300	5
M300CPG	3" X 3" FULL PORT FLANGE X 4" LONG	200	10
M300CPG7	3" X 3" FULL PORT FLANGE X 7" LONG	225	5
M300CPG12	3" X 3" FULL PORT FLANGE X 12" LONG	150	1

45° COUPLINGS

PART NO	DESCRIPTION	MAX PSI	LOT QTY
M100CPG45	1" X 1" 45° FLANGE	300	10/BAG
M200CPG45	2" X 2" 45° FLANGE	300	10/BAG
M220CPG45	2" X 2" FULL PORT 45° FLANGE	225	10/BAG
M300CPG45	3" X 3" FULL PORT 45° FLANGE	225	10

MANIFOLD FLANGE CONNECTIONS



90° COUPLINGS			
PART NO	DESCRIPTION	MAX PSI	LOT QTY
M100CPG90	1" X 1" 90° FLANGE	300	10/BAG
M200CPG90	2" X 2" 90° FLANGE	300	10/BAG
M200CPG90SH	2" X 2" 90° SHORT FLANGE	300	10/BAG
M220CPG90	2" X 2" 90° FULL PORT FLANGE	200	10/BAG
M300CPG90	3" X 3" 90° FULL PORT FLANGE	200	5



45° Y FLANGED COUPLINGS			
PART NO	DESCRIPTION	MAX PSI	LOT QTY
M220Y45	2" FULL PORT 45° Y FLANGE	300	5
M220YG45	2" FULL PORT 45° Y FLANGE W/ 1/4" GAUGE PORT	225	1
M300Y45	3" FULL PORT 45° Y FLANGE	200	1
M300YG45	3" FULL PORT 45° Y FLANGE W/ 1/4" GAUGE PORT	200	1



3" MANIFOLD WYE			
PART NO	DESCRIPTION	MAX PSI	QTY
M300220WYCG	M300 X M220 X M220 X M220 FULL PORT FLANGE WYE W/ 1/4" GAUGE PORT	300	1



REDUCER COUPLINGS			
PART NO	DESCRIPTION	MAX PSI	LOT QTY
M200100CPG	2" X 1" REDUCER FLANGE	300	10/BAG
M220100CPG	2" FULL PORT X 1" REDUCER FLANGE	225	10/BAG
M220200CPG	2" FULL PORT X 2" REDUCER FLANGE	225	10/BAG
M300200CPG	3" X 2" REDUCER FLANGE	225	10/BAG
M300220CPG	3" X 2" FULL PORT REDUCER FLANGE	225	10



TEES			
PART NO	DESCRIPTION	MAX PSI	LOT QTY
M100TEE	1" FLANGED TEE	300	10/BAG
M101TEE	1" FLANGED TEE LONG	300	10
M200100TEE	2" X 1" FLANGED TEE	300	10
M200TEE	2" FLANGED TEE	200	10/BAG
M220100TEE	2" FULL PORT FLANGED TEE X 1" FLANGED TEE	225	10
M220200TEE	2" FULL PORT FLANGED TEE X 2" FLANGED TEE	300	10
M220TEE	2" FULL PORT FLANGED TEE	225	10
M300TEE	3" FLANGED TEE	225	10



U BOLTS			
PART NO	DESCRIPTION	MAX PSI	LOT QTY
UB100	100 SERIES MOUNTING U BOLT	N/A	1
UB202	2 SERIES MOUNTING U BOLT	N/A	10
UB220	220 SERIES MOUNTING U BOLT	N/A	10

FITTINGS

FEATURES

- Quick and easy assembly
- Positive seals
- Easy on/off hose connections
- 360° orientation
- Where noted, parts must be ordered in bag quantities

MANIFOLD FLANGE CONNECTIONS

FITTINGS

FEATURES

- Quick and easy assembly
- Positive seals
- Easy on/off hose connections
- 360° orientation
- Where noted, parts must be ordered in bag quantities.



SS BUTT WELD ADAPTER

PART NO	DESCRIPTION	MAX PSI	QTY
M220BWASS	2" FULL PORT STAINLESS STEEL BUTT WELD ADAPTER	300	1



FEMALE NPT THREAD

PART NO	DESCRIPTION	MAX PSI	LOT QTY
M100050FPT	1" FLANGE X 1/2" FEMALE THREAD	300	10/BAG
M100075FPT	1" FLANGE X 3/4" FEMALE THREAD	300	10/BAG
M100FPT	1" FLANGE X 1" FEMALE THREAD	300	10/BAG
M200FPT	2" FLANGE X 2" FEMALE THREAD	300	10/BAG
M200150FPT	2" FLANGE X 1 1/2" FEMALE THREAD	300	10/BAG
M220FPT	2" FULL PORT FLANGE X 2" FEMALE THREAD	300	10/BAG
M300FPT	3" FLANGE X 3" FEMALE THREAD	200	10/BAG



MALE THREAD

PART NO	DESCRIPTION	MAX PSI	LOT QTY
M100075MPT	1" FLANGE X 3/4" MALE THREAD	300	10/BAG
M100MPT	1" FLANGE X 1" MALE THREAD	300	10/BAG
M100125MPT	1" FLANGE X 1 1/4" MALE THREAD	300	10/BAG
M200125MPT	2" FLANGE X 1 1/4" MALE THREAD	300	10/BAG
M200150MPT	2" FLANGE X 1 1/2" MALE THREAD	300	10/BAG
M200MPT	2" FLANGE X 2" MALE THREAD	300	10/BAG
M220MPT	2" FULL PORT FLANGE X 2" MALE THREAD	300	10/BAG
M300MPT	3" FLANGE X 3" MALE THREAD	300	10



316 SS MALE THREAD

PART NO	DESCRIPTION	MAX PSI	QTY
M100MPTSS	1" FLANGE X 1" MALE THREAD	300	1
M200125MPTSS	2" FLANGE X 1 1/4" MALE THREAD	300	1
M200150MPTSS	2" FLANGE X 1 1/2" MALE THREAD	300	1
M200MPTSS	2" FLANGE X 2" MALE THREAD	300	1
M220150MPTSS	2" FULL PORT FLANGE X 1 1/2" MALE THREAD	300	1
M220MPTSS	2" FULL PORT FLANGE X 2" MALE THREAD	300	1
M300220MPTSS	3" FLANGE X 2" FULL PORT MALE THREAD	300	1
M300MPTSS	3" FLANGE X 3" MALE THREAD	300	1

MANIFOLD FLANGE CONNECTIONS

FITTINGS

FEATURES

- Quick and easy assembly
- Positive seals
- Easy on/off hose connections
- 360° orientation
- Where noted, parts must be ordered in bag quantities



PLUGS

PART NO	DESCRIPTION	MAX PSI	LOT QTY
M100PLG	1" FLANGE PLUG	300	10/BAG
M200PLG	2" FLANGE PLUG	300	10/BAG
M220PLG	2" FULL PORT FLANGE PLUG	300	10/BAG
M300PLG	3" FULL PORT FLANGE PLUG	225	10/BAG
M100PLG025	1" FLANGE PLUG WITH 1/4" FPT	300	10/BAG
M100PLG050	1" FLANGE PLUG WITH 1/2" FPT	300	10/BAG
M200PLG025	2" FLANGE PLUG WITH 1/4" FPT	225	10/BAG
M200PLG038	2" FLANGE PLUG WITH 3/8" FPT	300	10/BAG
M200PLG050	2" FLANGE PLUG WITH 1/2" FPT	225	10/BAG
M200PLG075	2" FLANGE PLUG WITH 3/4" FPT	225	10/BAG
M200PLG100	2" FLANGE PLUG WITH 1" FPT	225	10/BAG
M220PLG038	2" FULL PORT FLANGE PLUG WITH 3/8" FPT	150	10/BAG
M220PLG075	2" FULL PORT FLANGE PLUG WITH 3/4" FPT	225	10/BAG
M300PLG075	3" FLANGE PLUG WITH 3/4" FPT	200	10/BAG
M300PLG100	3" FLANGE PLUG WITH 1" FPT	200	1

FEMALE COUPLER

PART NO	DESCRIPTION	MAX PSI	LOT QTY
M220D	2" FULL PORT FLANGE X 2" FEMALE COUPLER	225	20
M303D	3" FULL PORT FLANGE X 3" FEMALE COUPLER WITH 3 ARMS	225	10

MALE ADAPTER

PART NO	DESCRIPTION	MAX PSI	LOT QTY
M100A	1" FLANGE X 1" MALE ADAPTER	300	10/BAG
M200A	2" FLANGE X 2" MALE ADAPTER	300	10/BAG
M220A	2" FULL PORT FLANGE X 2" MALE ADAPTER	225	10/BAG
M300A	3" FULL PORT FLANGE X 3" MALE ADAPTER	100	10

CROSS

PART NO	DESCRIPTION	MAX PSI	LOT QTY
M100CR	1" FLANGED CROSS	300	10/BAG
M200CR	2" FLANGED CROSS	300	10
M220CR	2" FULL PORT FLANGED CROSS	200	10
M300CR	3" FLANGED CROSS	125	5

MANIFOLD FLANGE CONNECTIONS

FITTINGS

FEATURES

- Quick and easy assembly
- Positive seals
- Easy on/off hose connections
- 360° orientation
- Where noted, parts must be ordered in bag quantities.



HOSE BARB

PART NO	DESCRIPTION	MAX PSI	LOT QTY
M100075BRB	1" FLANGE X 3/4" HOSE BARB	300	10/BAG
M100BRB	1" FLANGE X 1" HOSE BARB	300	10/BAG
M100125BRB	1" FLANGE X 1 1/4" HOSE BARB	300	10/BAG
M200100BRB	2" FLANGE X 1" HOSE BARB	300	10/BAG
M200125BRB	2" FLANGE X 1 1/4" HOSE BARB	300	10/BAG
M200150BRB	2" FLANGE X 1 1/2" HOSE BARB	300	10/BAG
M200BRB	2" FLANGE X 2" HOSE BARB	300	10/BAG
M220100BRB	2" FULL PORT FLANGE X 1" HOSE BARB	300	10/BAG
M220125BRB	2" FULL PORT FLANGE X 1 1/4" HOSE BARB	300	10/BAG
M220150BRB	2" FULL PORT FLANGE X 1 1/2" HOSE BARB	300	10/BAG
M220BRB	2" FULL PORT FLANGE X 2" HOSE BARB	300	10/BAG
M300220BRB	3" FLANGE X 2" FULL PORT HOSE BARB	125	10
M300BRB	3" FLANGE X 3" HOSE BARB	200	10

90° HOSE BARB ELBOW

PART NO	DESCRIPTION	MAX PSI	LOT QTY
M100075BRB90	1" FLANGE X 3/4" 90° HOSE BARB	300	10/BAG
M100BRB90	1" FLANGE X 1" 90° HOSE BARB	300	10/BAG
M100125BRB90	1" FLANGE X 1 1/4" 90° HOSE BARB	300	10/BAG
M100150BRB90	1" FLANGE X 1 1/2" 90° HOSE BARB	300	10/BAG
M200100BRB90	2" FLANGE X 1" 90° HOSE BARB	300	10/BAG
M200125BRB90	2" FLANGE X 1 1/4" 90° HOSE BARB	300	10/BAG
M200150BRB90	2" FLANGE X 1 1/2" 90° HOSE BARB	300	10/BAG
M200BRB90	2" FLANGE X 2" 90° HOSE BARB	300	10/BAG
M220150BRB90	2" FULL PORT FLANGE X 1 1/2" 90° HOSE BARB	300	10/BAG
M220BRB90	2" FULL PORT FLANGE X 2" 90° HOSE BARB	300	10/BAG
M300220BRB90	3" FLANGE X 2" 90° FULL PORT HOSE BARB	300	1
M300BRB90	3" FLANGE X 3" 90° HOSE BARB	150	10

45° HOSE BARB ELBOW

PART NO	DESCRIPTION	MAX PSI	LOT QTY
M100BRB45	1" FLANGE X 1" 45° HOSE BARB ELBOW	300	10/BAG
M200BRB45	2" FLANGE X 2" 45° HOSE BARB ELBOW	300	10/BAG
M200125BRB45	2" FLANGE X 1 1/4" 45° HOSE BARB ELBOW	300	10/BAG
M200150BRB45	2" FLANGE X 1 1/2" 45° HOSE BARB ELBOW	300	10/BAG
M220BRB45	2" FULL PORT FLANGE X 2" 45° HOSE BARB ELBOW	300	10/BAG
M300BRB45	3" FLANGE X 3" 45° HOSE BARB ELBOW	150	10

HOSE BARB TEE

PART NO	DESCRIPTION	MAX PSI	LOT QTY
M100050HBT	1" FLANGE X 1/2" HOSE BARB TEE	N/A	10/BAG
M100075HBT	1" FLANGE X 3/4" HOSE BARB TEE	N/A	10/BAG
M100100HBT	1" FLANGE X 1" HOSE BARB TEE	300	10/BAG
M220200HBT	2" FULL PORT FLANGE X 2" HOSE BARB TEE	300	10/BAG
M300300HBT	3" FLANGE X 3" HOSE BARB TEE	150	10/BAG

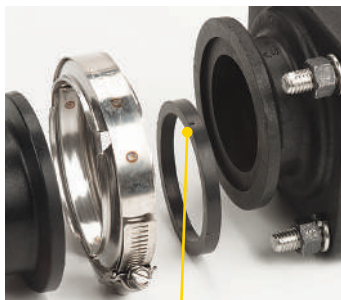
MANIFOLD FLANGE CONNECTIONS



BOLTED FLANGE CLAMPS			
PART NO	DESCRIPTION	TORQUE	QTY
FC220B	2" FULL PORT BOLTED FLANGE CLAMP	150 IN/LBS	1
FC300B	3" BOLTED FLANGE CLAMP	150 IN/LBS	1

T-BOLT FLANGE CLAMPS			
PART NO	DESCRIPTION	TORQUE	QTY
FC220TB	2" FULL PORT HI-TORQUE T-BOLT FLANGE CLAMP	100 IN/LBS	10/BAG
FC300TB	3" FULL PORT HI-TORQUE T-BOLT FLANGE CLAMP	100 IN/LBS	10/BAG

FLANGE CLAMPS			
PART NO	DESCRIPTION	TORQUE	QTY
FC100	100 SERIES WORM SCREW CLAMP	50-60 IN/LBS	10/BAG
FC200	200 SERIES WORM SCREW CLAMP	90-100 IN/LBS	10/BAG
FC220	220 SERIES WORM SCREW CLAMP	90-100 IN/LBS	10/BAG
FC300	300 SERIES WORM SCREW CLAMP	90-100 IN/LBS	10/BAG



Rib keeps gasket in place during assembly.

GASKETS			
PART NO	DESCRIPTION	GASKET MATERIAL	LOT QTY
M100G	100 SERIES MANIFOLD GASKET	EPDM	25
M101G	100 SERIES MANIFOLD GASKET WITH RIB	EPDM	35
M102G	1" & 1¼" SKIRTED FLANGE GASKET	EPDM	1
M100GV	100 SERIES GASKET	FKM	25
150G	200 SERIES GASKET	EPDM	25
150GV	200 SERIES GASKET	FKM	25
200G	220 SERIES FULL PORT GASKET	EPDM	25
200GV	220 SERIES FULL PORT GASKET	FKM	25
M201G	200 SERIES MANIFOLD GASKET WITH RIB	EPDM	30
M202G	1½" SKIRTED FLANGE GASKET	EPDM	1
M221G	220 SERIES FULL PORT MANIFOLD GASKET WITH RIB	EPDM	30
M222G	2" SKIRTED FLANGE GASKET	EPDM	1
300G	300 SERIES GASKET	EPDM	25
300GV	300 SERIES GASKET	FKM	25
M301G	300 SERIES MANIFOLD GASKET WITH RIB	EPDM	50
M302G	3" SKIRTED FLANGE GASKET	EPDM	1



M302G



M201G



200G



200GV

FITTINGS

FEATURES

- Quick and easy assembly
- Positive seals
- Easy on/off hose connections
- 360° orientation
- Where noted, parts must be ordered in bag quantities

MANIFOLD FLANGE CONNECTIONS

1"-2" T LINE STRAINERS

FEATURES

- EPDM gaskets
- Poly ribbed 316 stainless steel screens



1" FULL PORT MANIFOLD T LINE STRAINERS

PART NO	DESCRIPTION	MAX PSI	QTY
MLST100-30	1" MANIFOLD T STRAINER W/30 MESH SCREEN	300	1
MLST100-50	1" MANIFOLD T STRAINER W/50 MESH SCREEN	300	1
MLST100-80	1" MANIFOLD T STRAINER W/80 MESH SCREEN	300	1
MLST100-100	1" MANIFOLD T STRAINER W/100 MESH SCREEN	300	1

2" STANDARD PORT MANIFOLD T LINE STRAINERS

PART NO	DESCRIPTION	MAX PSI	QTY
MLST150-30	2" MANIFOLD T STRAINER W/30 MESH SCREEN	225	1
MLST150-50	2" MANIFOLD T STRAINER W/50 MESH SCREEN	225	1
MLST150-80	2" MANIFOLD T STRAINER W/80 MESH SCREEN	225	1
MLST150-80V	2" MANIFOLD T STRAINER W/80 MESH SCREEN WITH FKM GASKETS	225	1
MLST150-100	2" MANIFOLD T STRAINER W/100 MESH SCREEN	225	1

1"-2" Y LINE STRAINERS

FEATURES

- EPDM gaskets
- Poly ribbed 316 stainless steel screens



1" FULL PORT MANIFOLD Y LINE STRAINERS

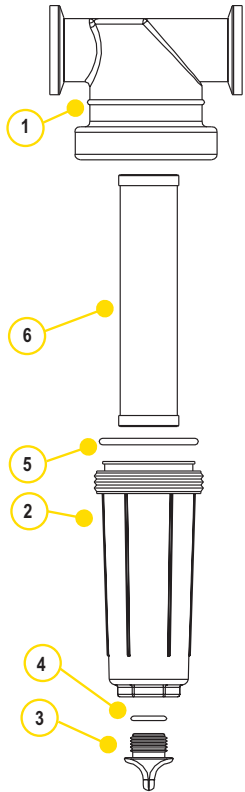
PART NO	DESCRIPTION	MAX PSI	QTY
MLS100-80	1" MANIFOLD Y STRAINER W/80 MESH SCREEN	225	1



2" STANDARD PORT MANIFOLD Y LINE STRAINERS

PART NO	DESCRIPTION	MAX PSI	QTY
MLS200-06	2" MANIFOLD Y STRAINER W/6 MESH SCREEN	225	1
MLS200-12	2" MANIFOLD Y STRAINER W/12 MESH SCREEN	225	1
MLS200-20	2" MANIFOLD Y STRAINER W/20 MESH SCREEN	225	1
MLS200-30	2" MANIFOLD Y STRAINER W/30 MESH SCREEN	225	1
MLS200-50	2" MANIFOLD Y STRAINER W/50 MESH SCREEN	225	1
MLS200-80	2" MANIFOLD Y STRAINER W/80 MESH SCREEN	225	1

MANIFOLD FLANGE CONNECTIONS



REPLACEMENT PARTS 1"

ITEM	PART NO	DESCRIPTION	QTY
1	MLST100-H	1" T BODY	1
2	LST100-B	1" T BOWL, DRAIN PLUG, O-RING	1
3	12777	1/2" PLUG	1
4	UV15163	O-RING	1
5	LST100-G	1" EPDM GASKET	1
5	LST100-GV	1" FKM GASKET	1
6	LST116	16 MESH SCREEN	1
6	LST130	30 MESH SCREEN	1
6	LST150	50 MESH SCREEN	1
6	LST180	80 MESH SCREEN	1
6	LST1100	100 MESH SCREEN	1
KIT	MLST100-HB	KIT INCLUDES ITEMS 1-5	1

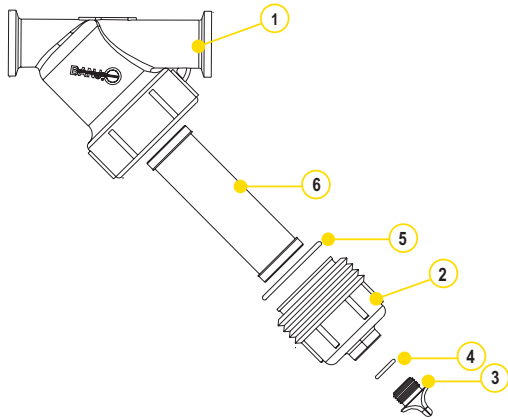
REPLACEMENT PARTS 2"

ITEM	PART NO	DESCRIPTION	QTY
1	MLST150-H	1 1/2" T BODY	1
2	LST150-B	1 1/2" T BOWL, DRAIN PLUG, O-RING	1
3	LSQ200-PL	1 1/2" PLUG	1
4	LSQ200-R	O-RING	1
5	LST150-G	1 1/2" EPDM GASKET	1
5	LST150-GV	1 1/2" FKM GASKET	1
6	LST1516	16 MESH SCREEN	1
6	LST1530	30 MESH SCREEN	1
6	LST1550	50 MESH SCREEN	1
6	LST1580	80 MESH SCREEN	1
6	LST15100	100 MESH SCREEN	1
KIT	MLST150-HB	KIT INCLUDES ITEMS 1-5	1

T LINE STRAINERS

SCREENS

MESH SIZE	RIB COLOR
16 MESH	BROWN RED
30 MESH	FLAME RED
50 MESH	GENTIAN BLUE
80 MESH	ZINC YELLOW
100 MESH	TRAFFIC GREEN



REPLACEMENT PARTS 1"

ITEM	PART NO	DESCRIPTION	QTY
1	MLS100B	1" Y BODY	1
2	LS100-C1	1" Y BOWL, DRAIN PLUG, O-RING	1
3	12777	1/2" PLUG	1
4	UV15163	O-RING	1
5	LS100-G	1" EPDM GASKET	1
6	LS120	20 MESH SCREEN	1
6	LS140	40 MESH SCREEN	1
6	LS180	80 MESH SCREEN	1
KIT	MLS100BC	KIT INCLUDES ITEMS 1-5	1

REPLACEMENT PARTS 2"

ITEM	PART NO	DESCRIPTION	QTY
1	MLS200B	2" Y BODY	1
2	LS150-C	2" Y BOWL, DRAIN PLUG, O-RING	1
3	LSQ200-PL	2" PLUG	1
4	LSQ200-R	O-RING	1
5	LS150-G	2" EPDM GASKET	1
5	LS150-GV	2" FKM GASKET	1
6	LS206	6 MESH SCREEN	1
6	LS212	12 MESH SCREEN	1
6	LS220	20 MESH SCREEN	1
6	LS230	30 MESH SCREEN	1
6	LS250	50 MESH SCREEN	1
6	LS280	80 MESH SCREEN	1
6	LS2120	120 MESH SCREEN	1
KIT	MLS200BC	KIT INCLUDES ITEMS 1-5	1

Y LINE STRAINERS

SCREENS

MESH SIZE	RIB COLOR
6 MESH	WHITE
12 MESH	BLACK
20 MESH	BEIGE
30 MESH	FLAME RED
40 MESH	BROWN
50 MESH	GENTIAN BLUE
80 MESH	ZINC YELLOW
100 MESH	TRAFFIC GREEN
120 MESH	BLACK

MANIFOLD FLANGE CONNECTIONS

2" FULL PORT Y LINE STRAINERS

FEATURES

- EPDM gaskets
- 316 stainless steel screens



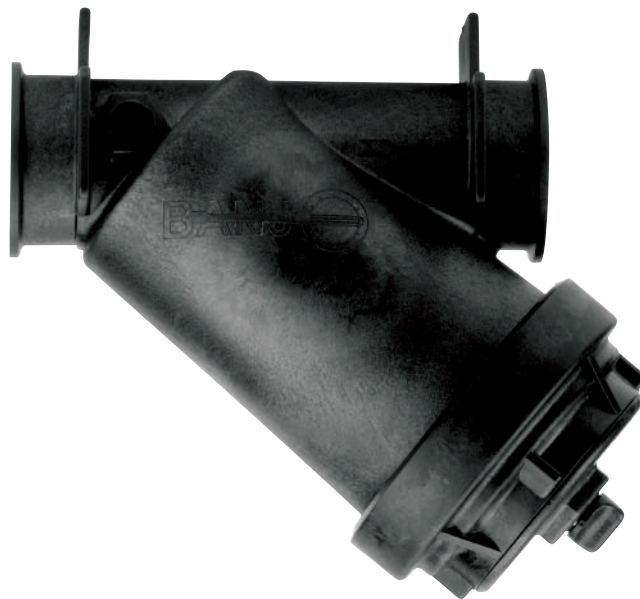
2" FULL PORT MANIFOLD Y LINE STRAINERS

PART NO	DESCRIPTION	MAX PSI	QTY
MLS222-04	2" FULL PORT MANIFOLD Y STRAINER W/4 MESH SCREEN	225	1
MLS222-10	2" FULL PORT MANIFOLD Y STRAINER W/12 MESH SCREEN	225	1
MLS222-16	2" FULL PORT MANIFOLD Y STRAINER W/16 MESH SCREEN	225	1
MLS222-30	2" FULL PORT MANIFOLD Y STRAINER W/30 MESH SCREEN	225	1
MLS222-50	2" FULL PORT MANIFOLD Y STRAINER W/50 MESH SCREEN	225	1
MLS222-80	2" FULL PORT MANIFOLD Y STRAINER W/80 MESH SCREEN	225	1

3" Y LINE STRAINERS

FEATURES

- EPDM gaskets
- 304 stainless steel screens
- Must use on suction side or non-pressure side in all applications



3" FULL PORT MANIFOLD Y LINE STRAINERS

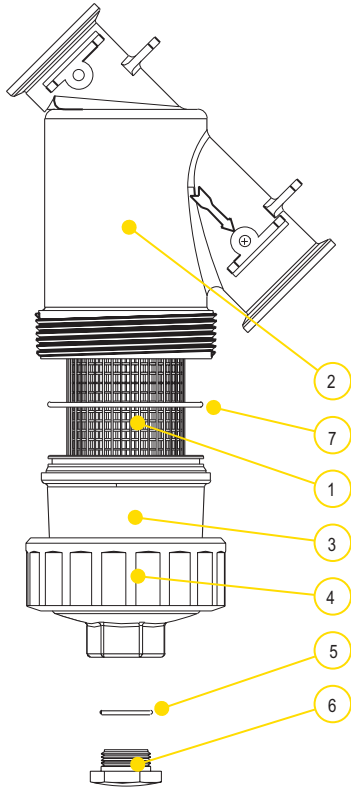
PART NO	DESCRIPTION	MAX PSI	LOT QTY
MLS300-12	3" MANIFOLD Y STRAINER W/12 MESH SCREEN	100	1
MLS300-20	3" MANIFOLD Y STRAINER W/20 MESH SCREEN	100	2
MLS300-50	3" MANIFOLD Y STRAINER W/50 MESH SCREEN	100	2

MANIFOLD FLANGE CONNECTIONS

2" FULL PORT Y LINE STRAINERS

FEATURES

- EPDM gaskets
- 316 stainless steel screens



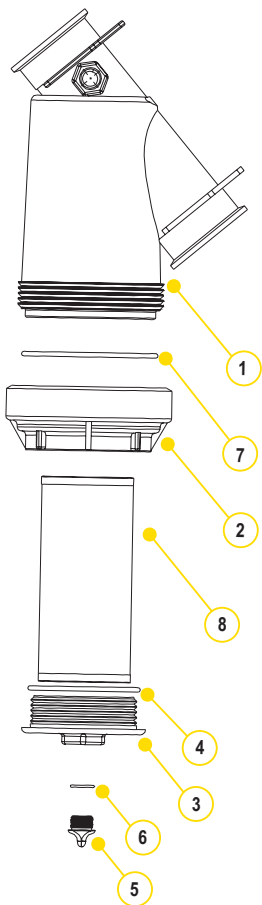
REPLACEMENT PARTS 2"

ITEM	PART NO	DESCRIPTION	QTY
1	LST204SS	4 SS MESH SCREEN	1
1	LST206SS	6 SS MESH SCREEN	1
1	LST208SS	8 SS MESH SCREEN	1
1	LST210SS	10 SS MESH SCREEN	1
1	LST216SS	16 SS MESH SCREEN	1
1	LST230SS	30 SS MESH SCREEN	1
1	LST250SS	50 SS MESH SCREEN	1
1	MLS250SS	50 SS MESH PERFORATED SCREEN	1
1	LST280SS	80 SS MESH SCREEN	1
1	MLS280SS	80 SS MESH PERFORATED SCREEN	1
1	LST2100SS	100 SS MESH SCREEN	1
1	MLS2100SS	100 SS MESH PERFORATED SCREEN	1
2	MLS222B	2" FLANGED Y STRAINER BODY	1
3	MLS220C1	2" FLANGED Y STRAINER CAP	1
4	MLS220R1	2" FLANGED Y STRAINER RING	1
5	LSQ200-R	2" PLUG GASKET	1
6	LSQ200-PL	2" PLUG	1
7	MLS220G1	2" BODY GASKET	1
2-7	MLS222BC	STRAINER WITHOUT SCREEN	1

3" Y LINE STRAINERS

FEATURES

- EPDM gaskets
- 304 stainless steel screens
- Must use on suction side or non-pressure side in all applications



REPLACEMENT PARTS 3"

ITEM	PART NO	DESCRIPTION	QTY
1	MLS300B	3" FLANGED Y STRAINER BODY	1
2	MLS300CAP	3" FLANGED Y STRAINER CAP	1
3	LS300EC	3" END CAP	1
4	MLS300ECG	3" EPDM END CAP GASKET	1
4	MLS300ECGV	3" FKM END CAP GASKET	1
5	13777	3/4" PLUG	1
6	13778	O-RING	1
7	MLS300G	3" EPDM CAP GASKET	1
8	LS304	4 SS MESH SCREEN	1
8	LS308	8 SS MESH SCREEN	1
8	LS312	12 SS MESH SCREEN	1
8	LS320	20 SS MESH SCREEN	1
8	LS350	50 SS MESH SCREEN	1
1-7	MLS300BC	STRAINER WITHOUT SCREEN	1

MANIFOLD FLANGE CONNECTIONS

BOTTOM DRAIN BOLTED TANK FITTINGS

FEATURES

- Stainless steel bolts
- Bolt head plugs sealed ultrasonically
- Glass reinforced polypropylene
- EDPM gasket standard
- FKM gasket available



BOTTOM DRAIN BOLTED TANK FITTINGS

PART NO	DESCRIPTION	MAX PSI	LOT QTY
MBF100BD	1" FLANGE X 1" FEMALE THREAD W/EPDM GASKET	150	5
MBF200BD	2" FLANGE X 2" FEMALE THREAD W/EPDM GASKET	150	5
MBF220BD	2" FP FLANGE X 2" FEMALE THREAD W/EPDM GASKET	150	5
MBF300BD	3" FLANGE X 3" FEMALE THREAD W/EPDM GASKET	150	8

BOTTOM DRAIN BULKHEAD FITTINGS

FEATURES

- Glass reinforced polypropylene
- EDPM standard
- Groove allows more drainage
- Gasket not included



BOTTOM DRAIN BULKHEAD FITTINGS

PART NO	DESCRIPTION	HOLE SIZE	MAX PSI	LOT QTY
MTF220BD	2" FP FLANGE X 2" FEMALE THREAD W/EPDM GASKET	3/4"	300	10
MTF300BD	3" FLANGE X 3" FEMALE THREAD W/EPDM GASKET	4 1/2"	200	1

BOLTED TANK FITTINGS

FEATURES

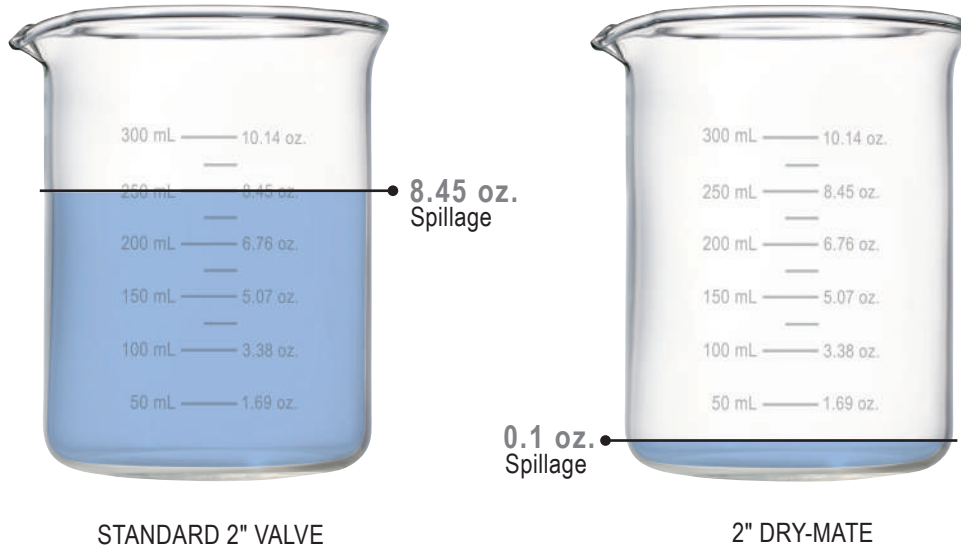
- Stainless steel bolts
- Bolt head plugs sealed ultrasonically
- Glass reinforced polypropylene
- EDPM gasket standard
- FKM gasket available



BOLTED TANK FITTINGS

PART NO	DESCRIPTION	MAX PSI	LOT QTY
MBF100	1" FLANGE X 1" FEMALE THREAD W/EPDM GASKET	150	5
MBF200	2" FLANGE X 2" FEMALE THREAD W/EPDM GASKET	150	5
MBF220	2" FP FLANGE X 2" FEMALE THREAD W/EPDM GASKET	150	5
MBF300	3" FLANGE X 3" FEMALE THREAD W/EPDM GASKET	150	5

NOT YOUR TYPICAL SPILLAGE



99% SPILLAGE REDUCTION

- Reduction of typical spillage using standard 2" valve with cam lock connection vs. Dry-Mate
- 8.45 oz. (250 mL) vs. 0.1 oz. (3 mL) spillage
- At five disconnections per day, this is **over 118 gallons (450 liters) saved per year**; enough to fill the gas tanks of eight mid-size automobiles

FEATURES



SAFETY FIRST

Product is important, but the safety of your team is essential. With Dry-Mate Dry-Disconnects, leakage from disconnecting is miniscule compared to standard valves. When properly installed and operated, the danger posed by harmful chemicals contacting your team is greatly reduced.



EVERY DROP COUNTS

Your product is money. Why waste money in spilling your product every time you disconnect? With Dry-Mate, your spillage amount will be significantly reduced. At 3 mL product spillage for a 2" line, you can have peace of mind that your product is being placed where it should be and not on the ground.



PRODUCT ONLY WHERE YOU WANT IT

When a Dry-Mate is properly installed and operated, the assembly will not accidentally separate while fluid is flowing; preventing costly mishaps.



DITCH THE MAINTENANCE

All that spillage has to go somewhere. If you are collecting large areas of spillage run-off, you have to have it pumped out. Reduce your maintenance costs on your spillage pits by keeping fluids contained.

DRY-MATES

1½" POLY DRY-MATES

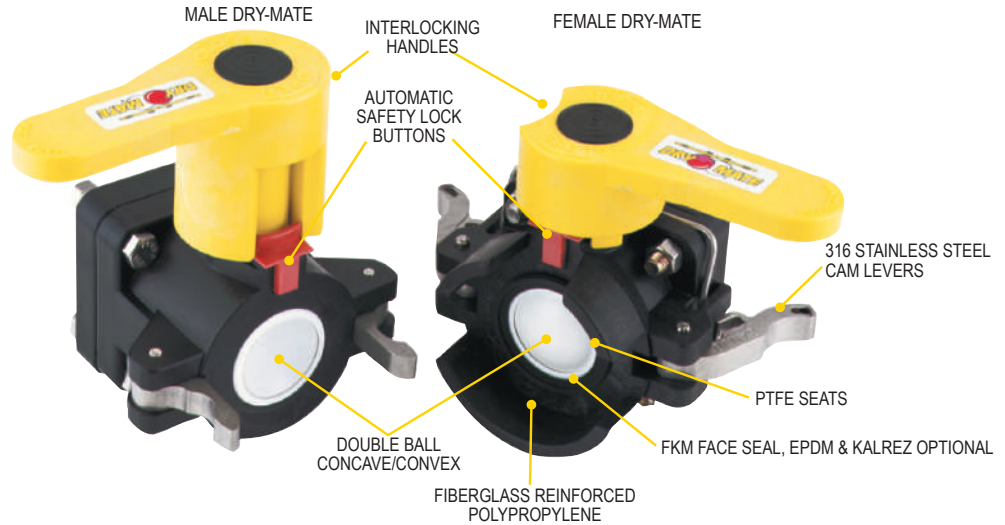
FEATURES

- Lightweight
- Easy to use
- Economical
- Reduces risk of exposure
- Wide range of chemical resistance
- Unrestricted 1½" flow
- Patented double ball design with cam lever connection
- When properly installed and operated, the assembly will not accidentally separate while fluid is flowing; preventing costly mishaps
- Spillage data: 1½" = 2ml



REPAIR KIT INCLUDES:

- Ball
- Body gasket
- Thrust washer
- Ball seats
- Upper stem bushing
- Stem o-ring

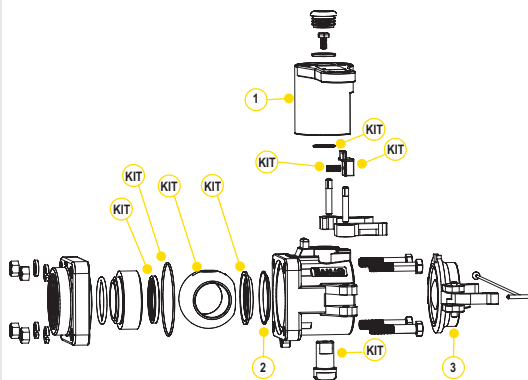


1½" POLY MALE DRY-MATE

PART NO	DESCRIPTION	MAX PSI	PIPE SIZE	OPENING THRU BALL	QTY
DM150A	1½" MALE X FPT NPT W/FKM SEALS	100	1½"	1½"	1
DM150AB	1½" MALE X FPT BSP W/FKM SEALS	100	1½"	1½"	1
DM150AE	1½" MALE X FPT NPT W/EPDM SEALS	100	1½"	1½"	1

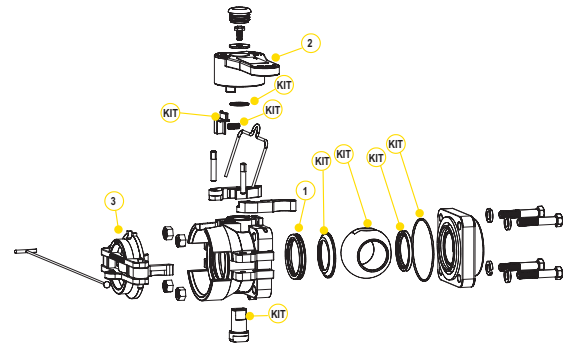
1½" POLY FEMALE DRY-MATE

PART NO	DESCRIPTION	MAX PSI	PIPE SIZE	OPENING THRU BALL	QTY
DM150D	1½" FEMALE X FPT NPT W/FKM SEALS	100	1½"	1½"	1
DM150DB	1½" FEMALE X FPT BSP W/FKM SEALS	100	1½"	1½"	1
DM150DE	1½" FEMALE X FPT NPT W/EPDM SEALS	100	1½"	1½"	1



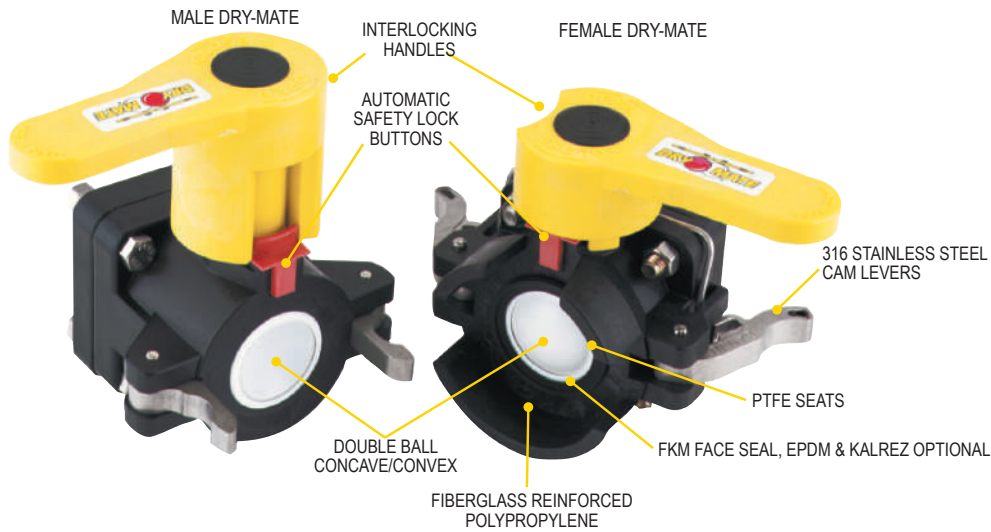
REPLACEMENT PARTS MALE

ITEM	PART NO	DESCRIPTION	QTY
1	DM20153M	MALE HANDLE	1
1	DB20153M	LOW PROFILE HANDLE	1
2	DB20290	FKM FACE SEAL	1
2	DB20295	EPDM FACE SEAL	1
2	DM20296	KALREZ® FACE SEAL	1
3	DM200CAP	DUST CAP	1
KIT	DM20200A	REPAIR KIT FOR DM150A	1



REPLACEMENT PARTS FEMALE

ITEM	PART NO	DESCRIPTION	QTY
1	DM20294A	FKM FACE SEAL	1
1	DM20295A	EPDM FACE SEAL	1!
1	DM20296	KALREZ® FACE SEAL	1
2	DM20153F	FEMALE HANDLE	1
3	DM200PL	DUST PLUG	1
KIT	DM20200D	REPAIR KIT FOR DM150D	1



2" POLY DRY-MATES

FEATURES

- Lightweight
- Easy to use
- Economical
- Reduces risk of exposure
- Wide range of chemical resistance
- Unrestricted 1½" flow
- Patented double ball design with cam lever connection
- When properly installed and operated, the assembly will not accidentally separate while fluid is flowing; preventing costly mishaps
- Spillage data: 2" = 2.6ml

2" POLY MALE DRY-MATE

PART NO	DESCRIPTION	MAX PSI	PIPE SIZE	OPENING THRU BALL	QTY
DM200A	2" MALE X FPT NPT W/FKM SEALS	100	2"	1½"	1
DM200AB	2" MALE X FPT BSP W/FKM SEALS	100	2"	1½"	1
DM200AE	2" MALE X FPT NPT W/EPDM SEALS	100	2"	1½"	1
DMMT201A	2" MALE X MALE NPT W/LOW PROFILE HANDLE	100	2"	1½"	1

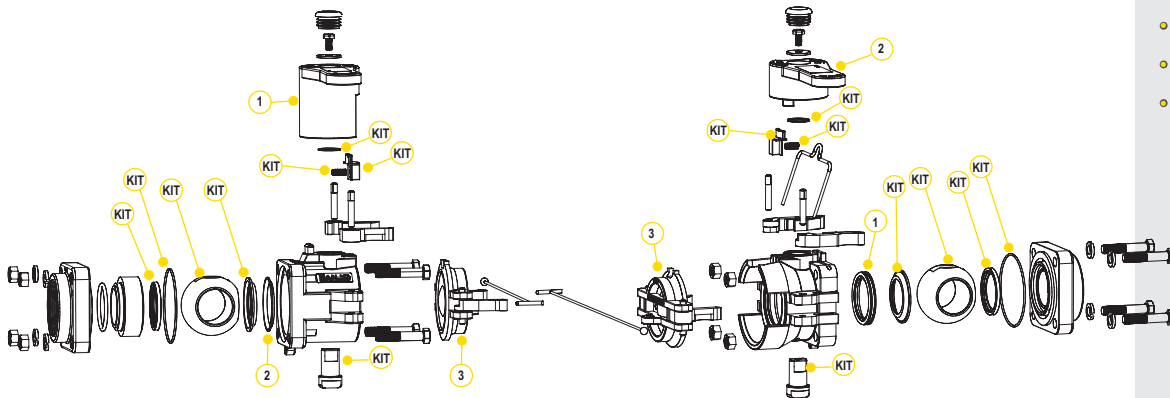
2" POLY FEMALE DRY-MATE

PART NO	DESCRIPTION	MAX PSI	PIPE SIZE	OPENING THRU BALL	QTY
DM200D	2" FEMALE X FPT NPT W/FKM SEALS	100	2"	1½"	1
DM200DB	2" FEMALE X FPT BSP W/FKM SEALS	100	2"	1½"	1
DM200DE	2" FEMALE W/EPDM SEALS	100	2"	1½"	1



REPAIR KIT INCLUDES:

- Ball
- Body gasket
- Thrust washer
- Ball seats
- Upper stem bushing
- Stem o-ring



REPLACEMENT PARTS MALE

ITEM	PART NO	DESCRIPTION	QTY
1	DM20153M	MALE HANDLE	1
1	DB20153M	LOW PROFILE HANDLE	1
2	DB20290	FKM FACE SEAL	1
2	DB20295	EPDM FACE SEAL	1
2	DM20296	KALREZ® FACE SEAL	1
3	DM200CAP	DUST CAP	1
KIT	DM20200A	REPAIR KIT FOR DM200A & DM200AE	1

REPLACEMENT PARTS FEMALE

ITEM	PART NO	DESCRIPTION	QTY
1	DM20294A	FKM FACE SEAL	1
1	DM20295A	EPDM FACE SEAL	1
1	DM20296	KALREZ® FACE SEAL	1
2	DM20153F	FEMALE HANDLE	1
3	DM200PL	DUST PLUG	1
KIT	DM20200D	REPAIR KIT FOR DM200D & DM200DE	1

DRY-MATES

2" FULL PORT POLY DRY-MATES

FEATURES

- Lightweight
- Easy to use
- Economical
- Reduces risk of exposure
- Wide range of chemical resistance
- Unrestricted 2" flow
- Patented double ball design with cam lever connection
- When properly installed and operated, the assembly will not accidentally separate while fluid is flowing; preventing costly mishaps
- Spillage data: 2" FP = 3.6ml



DM220D

DM220A

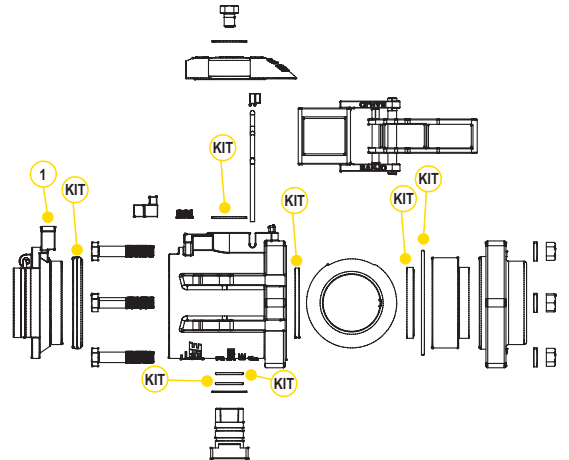
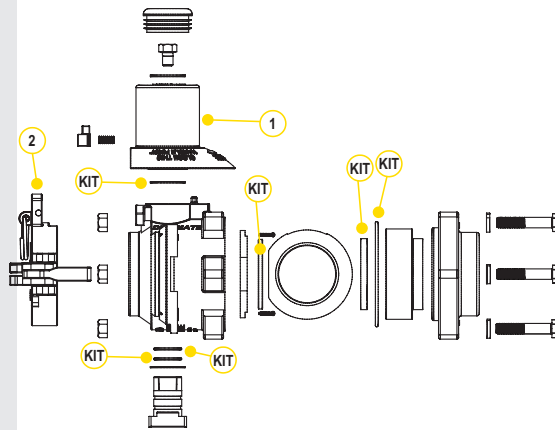
2" FULL PORT POLY DRY-MATES

PART NO	DESCRIPTION	MAX PSI	PIPE SIZE	OPENING THRU BALL	QTY
DM220D	2" FEMALE X FPT NPT W/FKM SEALS	225	2"	2"	1
DM220A	2" MALE X FPT W/FKM SEALS	225	2"	2"	1



REPAIR KIT INCLUDES:

- Body gasket
- Thrust washer
- Ball seats
- Upper stem bushing
- Stem o-ring
- Face seal



REPLACEMENT PARTS MALE

ITEM	PART NO	DESCRIPTION	QTY
1	DM25153M	MALE HANDLE	1
2	DM220CAP	DUST CAP	1
KIT	DM25200	REPAIR KIT	1

REPLACEMENT PARTS FEMALE

ITEM	PART NO	DESCRIPTION	QTY
1	DM221PL	DUST PLUG	1
1	DM25200	REPAIR KIT	1

3" FULL PORT POLY DRY-MATES



DM300DFP



DM300AFP

3" FULL PORT POLY DRY-MATES

PART NO	DESCRIPTION	MAX PSI	PIPE SIZE	OPENING THRU BALL	QTY
DM300AFP	3" FP MALE X 3" FEMALE NPT THREADS W/ FKM SEALS	150	3"	3"	1
DM300DFP	3" FP FEMALE X 3" FEMALE NPT THREADS W/ FKM SEALS	150	3"	3"	1

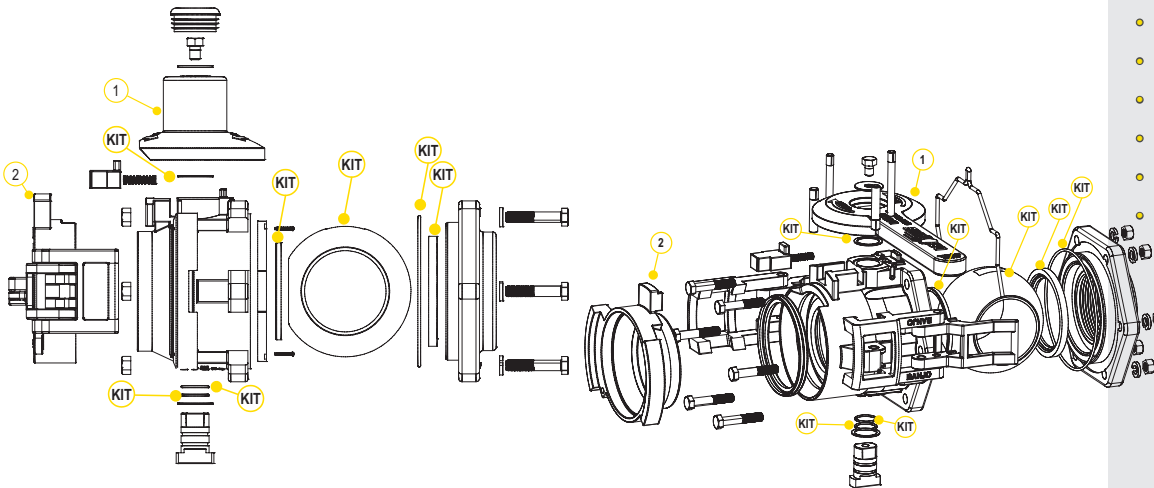
FEATURES

- Lightweight
- Easy to use
- Economical
- Reduces risk of exposure
- Wide range of chemical resistance
- Unrestricted 3" flow
- Patented double ball design with cam lever connection
- When properly installed and operated, the assembly will not accidentally separate while fluid is flowing; preventing costly mishaps
- Spillage data: 3" = 20ml



REPAIR KIT INCLUDES:

- Ball
- Body gasket
- Thrust washer
- Ball seats
- Upper stem bushing
- Stem o-ring
- Face seal



REPLACEMENT PARTS MALE

ITEM	PART NO	DESCRIPTION	QTY
1	DM35153M	MALE HANDLE	1
2	DM300CAP	DUST CAP	1
KIT	DM35200	REPAIR KIT	1

REPLACEMENT PARTS FEMALE

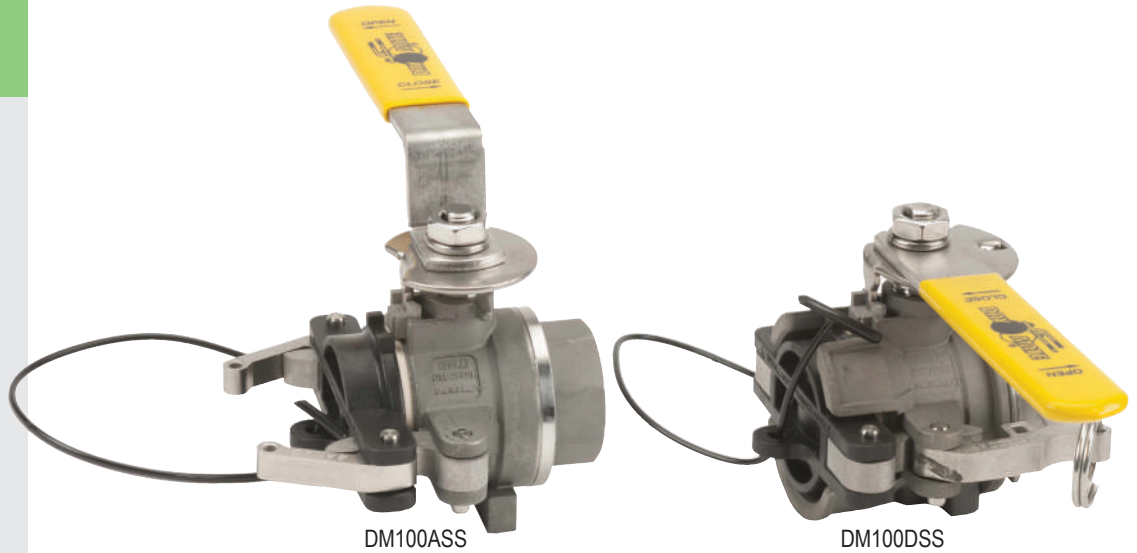
ITEM	PART NO	DESCRIPTION	QTY
1	DM35153F	FEMALE HANDLE	1
2	DM300PL	DUST PLUG	1
KIT	DM35200	REPAIR KIT	1

DRY-MATES

1" FULL PORT STAINLESS STEEL DRY-MATES

FEATURES

- 316 stainless steel construction
- Unrestricted 1" flow
- Patented double ball design with cam lever connection
- 300°F maximum operating temperature
- 100% PTFE ball seats
- When properly installed and operated, the assembly will not accidentally separate while fluid is flowing; preventing costly mishaps
- Spillage data: 1" FP = 1.7ml



DM100ASS

DM100DSS

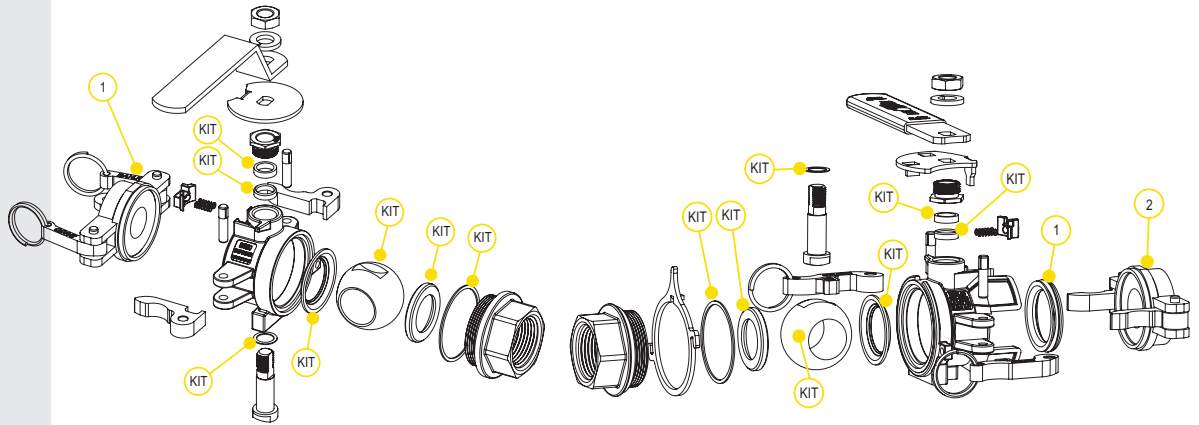
1" FULL PORT STAINLESS STEEL DRY-MATE

PART NO	DESCRIPTION	MAX PSI	PIPE SIZE	OPENING THRU BALL	QTY
DM100ASS	1" MALE X FPT NPT W/ PTFE SEALS	150	1"	1"	1
DM100ABSS	1" MALE X FPT BSP W/ PTFE SEALS	150	1"	1"	1
DM100DSS	1" FEMALE X FPT NPT W/ FKM SEALS	150	1"	1"	1
DM100DSSE	1" FEMALE X FPT NPT W/ EPDM SEALS	150	1"	1"	1
DM100DBSS	1" FEMALE X FPT BSP W/ FKM SEALS	150	1"	1"	1



REPAIR KIT INCLUDES:

- Ball
- Body gasket
- Thrust washer
- Ball seats
- Upper stem bushing
- Stem o-ring
- Face seal



REPLACEMENT PARTS MALE

ITEM	PART NO	DESCRIPTION	QTY
1	DM100CAP	DUST CAP	1
KIT	DM101SS	REPAIR KIT	1

REPLACEMENT PARTS FEMALE

ITEM	PART NO	DESCRIPTION	QTY
1	DM10294A	FKM FACE SEAL	1
1	DM10295A	EPDM FACE SEAL	1
1	DM10296	KALREZ® FACE SEAL	1
2	DM100PL	POLY PLUG	1
KIT	DM102SSV	FKM REPAIR KIT	1

1½" FULL PORT STAINLESS STEEL DRY-MATES



DM150ASS



DM150DSS

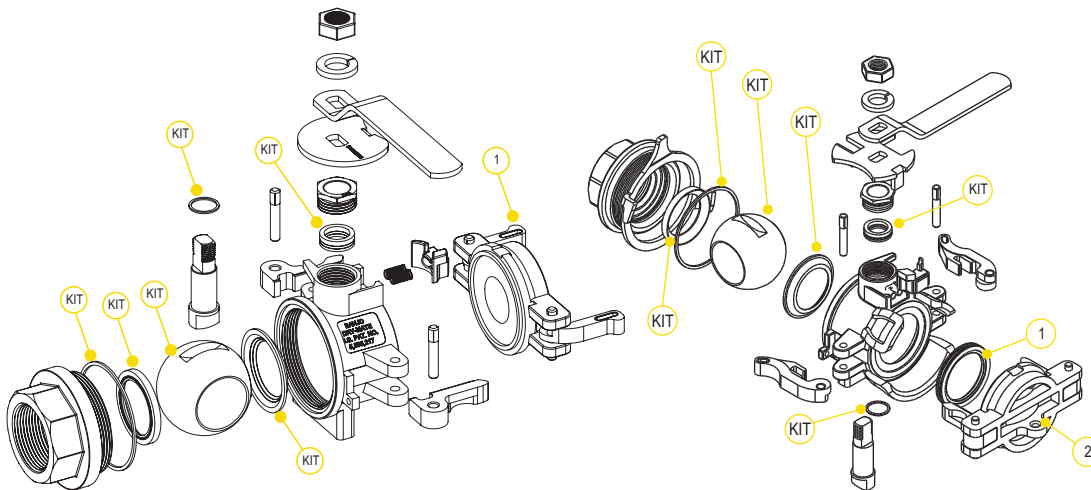
1½" FULL PORT STAINLESS STEEL DRY-MATE

PART NO	DESCRIPTION	MAX PSI	PIPE SIZE	OPENING THRU BALL	QTY
DM150ASS	1½" MALE X FPT NPT W/ PTFE SEALS	150	1½"	1½"	1
DM150ABSS	1½" MALE X FPT BSP W/ PTFE SEALS	150	1½"	1½"	1
DM150DSS	1½" FEMALE X FPT NPT W/ FKM SEALS	150	1½"	1½"	1
DM150DSSE	1½" FEMALE X FPT NPT W/ EPDM SEALS	150	1½"	1½"	1
DM150DBSS	1½" FEMALE X FPT BSP W/ FKM SEALS	150	1½"	1½"	1



REPAIR KIT INCLUDES:

- Ball
- Body gasket
- Thrust washer
- Ball seats
- Upper stem bushing
- Stem o-ring
- Face seal



REPLACEMENT PARTS MALE

ITEM	PART NO	DESCRIPTION	QTY
1	DM200ACAP	DUST CAP	1
KIT	DM201SS	REPAIR KIT	1

REPLACEMENT PARTS FEMALE

ITEM	PART NO	DESCRIPTION	QTY
1	DM20294A	FKM FACE SEAL	1
1	DB20295	EPDM FACE SEAL	1
1	DM20296	KALREZ® FACE SEAL	1
2	DM200APL	DUST PLUG	1
KIT	DM202SSV	FKM REPAIR KIT	1

DRY-MATES

2" STAINLESS STEEL DRY-MATES

FEATURES

- 316 stainless steel construction
- Patented double ball design with cam lever connection
- 300°F maximum operating temperature
- 100% PTFE ball seats
- When properly installed and operated, the assembly will not accidentally separate while fluid is flowing; preventing costly mishaps
- Spillage data: 2" = 3.6ml



DM200ASS



DM200DSS

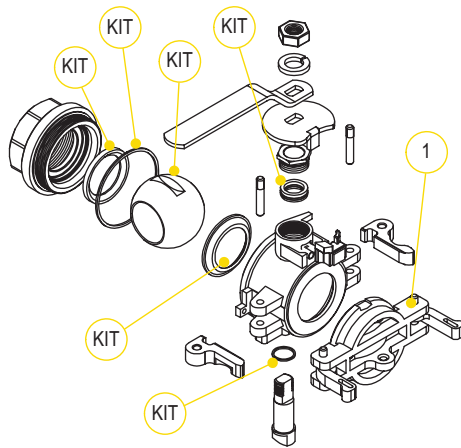
2" STANDARD PORT STAINLESS STEEL DRY-MATE

PART NO	DESCRIPTION	MAX PSI	PIPE SIZE	OPENING THRU BALL	QTY
DM200ASS	2" MALE X FPT NPT W/ PTFE SEALS	150	2"	1½"	1
DM200ABSS	2" MALE X FPT BSP W/ PTFE SEALS	150	2"	1½"	1
DM200DSS	2" FEMALE X FPT NPT W/ FKM SEALS	150	2"	1½"	1
DM200DSST	2" FEMALE X FPT NPT W/ KALREZ® SEALS	150	2"	1½"	1
DM200DBSS	2" FEMALE X FPT BSP W/ FKM SEALS	150	2"	1½"	1



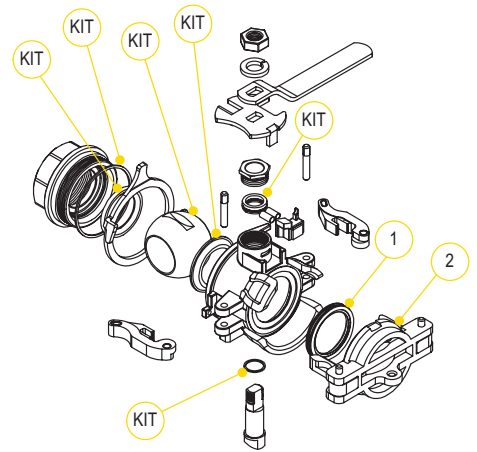
REPAIR KIT INCLUDES:

- Ball
- Body gasket
- Thrust washer
- Ball seats
- Upper stem bushing
- Stem o-ring
- Face seal



REPLACEMENT PARTS MALE

ITEM	PART NO	DESCRIPTION	QTY
1	DM200ACAP	DUST CAP	1
KIT	DM201SS	REPAIR KIT	1



REPLACEMENT PARTS FEMALE

ITEM	PART NO	DESCRIPTION	QTY
1	DM20294A	FKM FACE SEAL	1
1	DB20295	EPDM FACE SEAL	1
1	DM20296	KALREZ® FACE SEAL	1
2	DM200APL	POLY PLUG	1
KIT	DM202SSV	FKM REPAIR KIT	1

2" FULL PORT STAINLESS STEEL DRY-MATES



DM220ABSS



DM220DBSS

FEATURES

- 316 stainless steel construction
- Unrestricted 2" flow
- Patented double ball design with cam lever connection
- 300°F maximum operating temperature
- 100% PTFE ball seats
- When properly installed and operated, the assembly will not accidentally separate while fluid is flowing; preventing costly mishaps
- Spillage data: 2" FP = 3.8ml

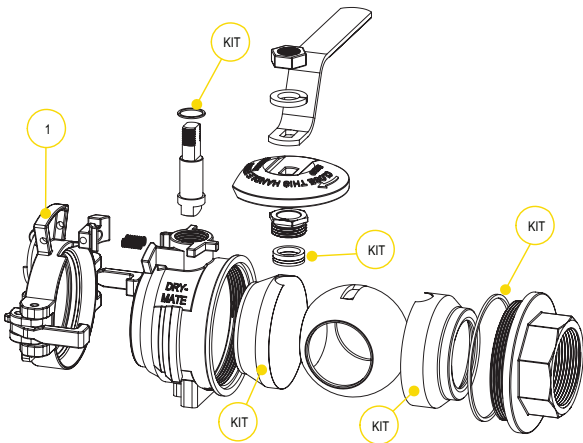
2" FULL PORT STAINLESS STEEL DRY-MATE

PART NO	DESCRIPTION	MAX PSI	PIPE SIZE	OPENING THRU BALL	QTY
DM220ASS	2" FULL PORT MALE X FPT NPT W/ PTFE SEALS	300	2"	2"	1
DM220ABSS	2" FULL PORT MALE X FPT BSP W/ PTFE SEALS	300	2"	2"	1
DM220DSS	2" FULL PORT FEMALE X FPT NPT W/ FKM SEALS	300	2"	2"	1
DM220DBSS	2" FULL PORT FEMALE X FPT BSP W/ FKM SEALS	300	2"	2"	1



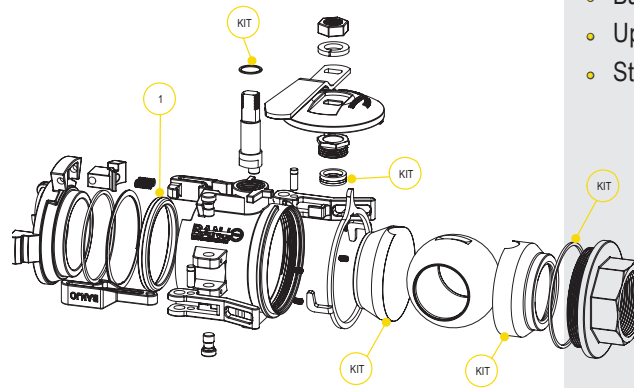
REPAIR KIT INCLUDES:

- Body gasket
- Thrust washer
- Ball seats
- Upper stem bushing
- Stem o-ring



REPLACEMENT PARTS MALE

ITEM	PART NO	DESCRIPTION	QTY
1	DM220CAP	DUST CAP	1
KIT	DM221SS	REPAIR KIT	1



REPLACEMENT PARTS FEMALE

ITEM	PART NO	DESCRIPTION	QTY
1	DM25294	FKM FACE SEAL	1
1	DM25294T	KALREZ® FACE SEAL	1
KIT	DM222SS	REPAIR KIT	1

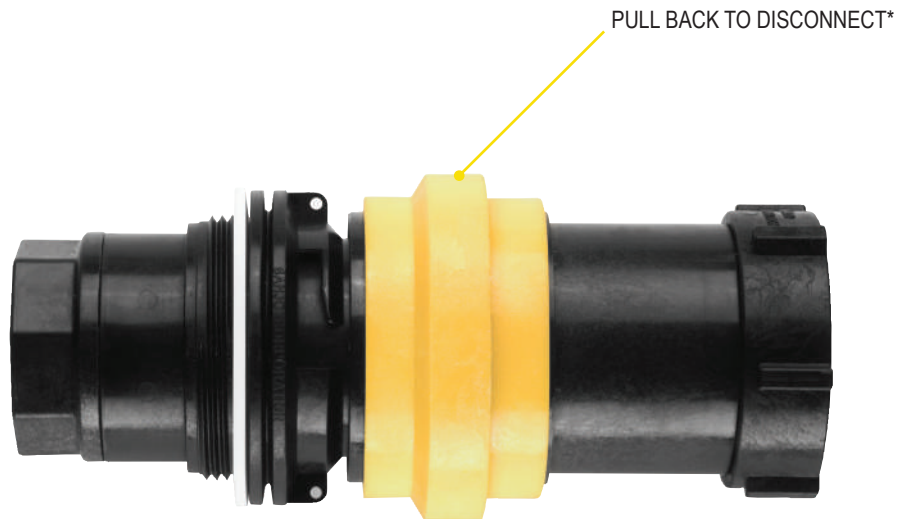
DRY POPPET COUPLINGS

FEATURES

- Lightweight
- Minimal fluid spillage
- Easy to use
- Economical
- Reduces risk of exposure
- Wide range of chemical resistance
- Maximum operating temperature 150° F
- 30 GPM maximum flow
- Precision molded in polypropylene
- 1" female NPT threads

APPLICATIONS

- Agriculture
- Industrial
- Pharmaceutical
- Chemical processing



DRY POPPET COUPLINGS

PART NO	DESCRIPTION	MAX PSI	QTY
DPCF100	FEMALE DRY POPPET COUPLER, 1" FEMALE NPT THREADS W/ FKM SEALS	100	1
DPCM100	MALE DRY POPPET ADAPTER, 1" FEMALE NPT THREADS W/ FKM SEALS	150	1
DPCMT100	MALE DRY POPPET ADAPTER, W/2" MALE THREADED BODY 1" FEMALE NPT THREADS W/ FKM SEALS	150	1

***Note:** Male adapter and female coupler shown coupled together but sold separately.

SPIN WELD BALL VALVES



W230237



W230238



W230239



W230240



WSF210FSA



WSF210FSAV



WSMT210FSA



WSMT210FSAV

Identifying collar number found here

FEATURES

- PTFE seats
- FKM stem o-rings
- Precision molded polypropylene is reinforced with fiberglass for additional strength
- Zinc alloy collar
- FKM, EPDM and Santoprene collar gaskets available
- Handles close in either direction
- For faster shipping, order in box quantities

SPINWELD BALL VALVE

PART NO	DESCRIPTION	GASKET MATERIAL	COLLAR FITS	COLLAR NUMBER	COLLAR ID	MAX PSI	QTY
W230237	2" POLY SPINWELD VALVE W/NPT OUTLET & CAP & FOIL SEAL	FKM	MAUSER®	V22283 C & D	2 1/4"	20	1
W230238	2" POLY SPINWELD VALVE W/QDC OUTLET & CAP & FOIL SEAL	FKM	MAUSER®	V22283 C & D	2 1/4"	20	1
W230239	2" POLY SPINWELD VALVE W/NPT OUTLET & CAP & FOIL SEAL	EPDM	MAUSER®	V22283 C & D	2 1/4"	20	1
W230240	2" POLY SPINWELD VALVE W/QDC OUTLET & CAP & FOIL SEAL	EPDM	MAUSER®	V22283 C & D	2 1/4"	20	1
WSF210FSA	2" POLY SPINWELD VALVE W/QDC OUTLET, FOIL SEAL & CAP	SANTOPRENE	SCHUTZ®	V20280 A & B	2 3/4"	50	1
WSF210FSAV	2" POLY SPINWELD VALVE W/QDC OUTLET, FOIL SEAL & CAP	FKM	SCHUTZ®	V20280 A & B	2 3/4"	50	1
WSMT210FSA	2" POLY SPINWELD VALVE W/NPT OUTLET, FOIL SEAL & CAP	SANTOPRENE	SCHUTZ®	V20280 A & B	2 3/4"	225	1
WSMT210FSAV	2" POLY SPINWELD VALVE W/NPT OUTLET, FOIL SEAL & CAP	FKM	SCHUTZ®	V20280 A & B	2 3/4"	225	1

IBC/TANK ACCESSORIES

FDA UNION VALVE AND ADAPTERS

FEATURES

- Precision molded in glass reinforced polypropylene for strength and chemical resistance
- PTFE seats or smooth operation and proper sealing characteristics
- Double EPDM o-rings in stem area for extra sealing protection
- Interlocking body and end plate to allow easy thread connection when installing valves



MBP200



NIP2101

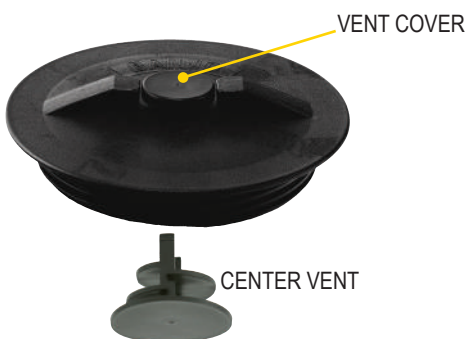


UV204FFPD

UNION VALVE AND ADAPTERS

PART NO	DESCRIPTION	MAX PSI	QTY
MBP200	2" BUTTRESS X 2" NPT ASSEMBLY	200	1
NIP2101	2" NPT X BSP NIPPLE	300	1
UV204FFPD	2" FDA UNION VALVE WITH EPDM	225	1

IBC/TANK ACCESSORIES



IBC SOLID TANK LIDS

PART NO	DESCRIPTION	GASKET	LOT QTY
TL650S	6" SOLID TANK LID W/GASKET	SANTOPRENE	10

IBC TANK LID WITH UNVENTED PLUG

PART NO	DESCRIPTION	GASKET	LOT QTY
TL651S	6" TANK LID W/ UNVENTED 2" PLUG W/GASKET	SANTOPRENE	10

IBC TANK LIDS WITH VENTED PLUG

PART NO	DESCRIPTION	GASKET	QTY
TL652S	6" TANK LID W/ VENTED 2" PLUG W/GASKET	SANTOPRENE	1
TL652E	6" TANK LID VENTED 2" PLUG W/GASKET	EPDM	1

TANK LID FOR SPRAY TANKS

PART NO	DESCRIPTION	GASKET	QTY
TL600C	6" VENTED TANK LID	N/A	1

VENTED TANK LIDS

PART NO	DESCRIPTION	GASKET	QTY
TLVA10	10" VENTED TANK LID & RING ASSEMBLY (NEW STYLE)	N/A	1

TANK LIDS

FEATURES

- Maximum air flow through vent channels
- Airflow equivalent to a 3" hole
- No secondary venting needed
- Baffled vents
- Center vent goes in underside of lid
- NPT Threads

SIPHON TUBES

FEATURES

- Full flow size
- Long length
- Male NPT threads
- Made of polypropylene



SIPHON TUBES

PART NO	DESCRIPTION	LOT QTY
ST200	2" POLY SIPHON TUBE	5
ST300	3" POLY SIPHON TUBE	5

IBC/TANK ACCESSORIES

POLYPROPYLENE ACCESSORIES

FEATURES

- Glass reinforced polypropylene



BUTTRESS BY MALE ADAPTER

PART NO	DESCRIPTION	GASKET	PSI	LOT QTY
TA283	2" BUTTRESS X 2" MALE NPT THREADS W/GASKET	SANTOPRENE	300	10
TA283QD	2" BUTTRESS X 2" MALE ADAPTER QDC W GASKET	SANTOPRENE	150	10



CAPS

PART NO	DESCRIPTION	PSI	QTY
201FPT	2" FEMALE NPT CAP - BLACK	20	1
211FPT	2" FEMALE NPT CAP - YELLOW	N/A	1



BUNG PLUGS

PART NO	DESCRIPTION	QTY
231MPT	2" MPT SOLID BUNG W/ EPDM GASKET	1
TL6531	2" VENTED PLUG W/ EPDM GASKET	1



DUST CAPS & LANYARD

PART NO	DESCRIPTION	PSI	LOT QTY
200CAP	2" CAM LEVER DUST CAP	200	20
200CAPSH	2" CAM LEVER DUST CAP WITH SHORT ARMS	200	10
201CAPSH	2" CAM LEVER DUST CAP W/SHORT ARMS & RINGS	N/A	10
202CAP	2" CAM LEVER DUST CAP	20	10
V20207	11" POLYURETHANE LANYARD	N/A	1

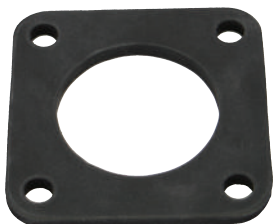
BOLTED TANK FLANGES



BF150



BF300



BOLTED TANK FLANGES

PART NO	DESCRIPTION	PSI	LOT QTY
BF075	¾" X 1" THREADED FLANGE W/EPDM GASKET	150	10
BF100	1" X 1" THREADED FLANGE W/EPDM GASKET	150	10
BF150	1½" X 2" THREADED FLANGE W/EPDM GASKET	150	5
BF200	2" X 2" THREADED FLANGE W/EPDM GASKET	150	10
BF200V	2" X 2" THREADED FLANGE W/FKM GASKET	150	10
BF220	2" X 2" FP THREADED FLANGE W/EPDM GASKET	150	5
BF300	3" X 3" THREADED FLANGE W/EPDM GASKET	150	4

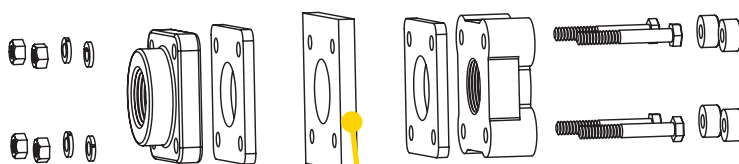
BOLTED TANK FLANGE GASKETS

PART NO	DESCRIPTION	PSI	QTY
BF100GE	1" EPDM GASKET	N/A	1
BF200GE	1½" & 2" EPDM GASKET	N/A	1
BF200GV	1½" & 2" FKM GASKET	N/A	1
BF220GE	2" FULL PORT EPDM GASKET	N/A	1
BF220GV	2" FULL PORT FKM GASKET	N/A	1
BF300GE	3" EPDM GASKET	N/A	1
BF300GV	3" FKM GASKET	N/A	1

FEATURES

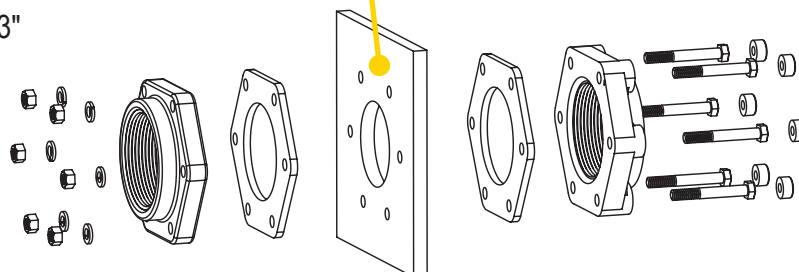
- Stainless steel bolts
- Bolt head plugs ultrasonically sealed
- Glass reinforced polypropylene
- EPDM gaskets standard and FKM available
- **WARNING:** Do not tighten tank flange bolts more than 12 ft pounds

¾" — 2"



Tank Wall

3"



IBC/TANK ACCESSORIES

BOLTED BOTTOM DRAIN TANK FLANGES

FEATURES

- Stainless steel bolts
- Bolt head plugs ultrasonically sealed
- Glass reinforced polypropylene
- EPDM gaskets standard and FKM available
- Allows 100% rinse free
- No sediment build up
- Excellent for avoiding herbicide cross contamination
- Fits most cone bottom and chemical inductor tanks, 30 gallons and larger.
- For faster shipping, order in box quantities



BOLTED TANK FLANGES

PART NO	DESCRIPTION	MAX PSI	LOT QTY
BF075BD	3/4" X 1" THREADED POLY FLANGE W/ EPDM GASKET	150	5
BF100BD	1" X 1" THREADED POLY FLANGE W/EPDM GASKET	150	5
BF150BD	1 1/2" X 2" THREADED POLY FLANGE W/EPDM GASKET	150	5
BF200BD	2" X 2" THREADED POLY FLANGE W/EPDM GASKET	150	5
BF220BD	2" X 2" FULL PORT THREADED POLY FLANGE W/EPDM GASKET	150	5
BF300BD	3" X 3" THREADED POLY FLANGE W/EPDM GASKET	150	4

BOLTED TANK FLANGE GASKETS

PART NO	DESCRIPTION	MAX PSI	QTY
BF100GE	3/4", 1" & 1 1/4" EPDM GASKET	N/A	1
BF100GRE	3/4", 1" & 1 1/4" FOOT EPDM GASKET	N/A	1
BF100GRV	3/4", 1" & 1 1/4" FOOT FKM GASKET	N/A	1
BF200GE	1 1/2" & 2" EPDM GASKET	N/A	1
BF200GV	1 1/2" & 2" FKM GASKET	N/A	1
BF200GFV	1 1/2" & 2" STD. PORT, 2" FULL PORT FOOT FKM GASKET	N/A	1
BF220GE	2" FULL PORT EPDM GASKET	N/A	1
BF220GV	2" FULL PORT FKM GASKET	N/A	1
BF300GE	3" EPDM GASKET	N/A	1
BF300GV	3" FKM GASKET	N/A	1
BF300GFE	3" FOOT EPDM GASKET	N/A	1
BF300GFV	3" FOOT FKM GASKET	N/A	1

BULKHEAD TANK FITTINGS



POLY BULKHEAD FITTINGS

PART NO	DESCRIPTION	HOLE SIZE	MAX PSI	LOT QTY
TF050	1/2" POLY BULKHEAD TANK FITTING W/EPDM GASKET	1 5/8"	300	10/BAG
TF075	3/4" POLY BULKHEAD TANK FITTING W/EPDM GASKET	1 5/8"	300	10/BAG
TF075V	3/4" POLY BULKHEAD TANK FITTING W/FKM GASKET	1 5/8"	300	10
TF100	1" POLY BULKHEAD TANK FITTING W/EPDM GASKET	2 1/4"	300	10/BAG
TF125	1 1/4" POLY BULKHEAD TANK FITTING W/EPDM GASKET	2 1/4"	300	10
TF150	1 1/2" POLY BULKHEAD TANK FITTING W/EPDM GASKET	3"	300	10
TF200	2" POLY BULKHEAD TANK FITTING W/EPDM GASKET	3"	300	10
TF200V	2" POLY BULKHEAD TANK FITTING W/FKM GASKET	3"	300	10
TF220	2" POLY BULKHEAD TANK FITTING W/EPDM GASKET	3 1/4"	300	10
TF300	3" POLY BULKHEAD TANK FITTING W/EPDM GASKET	4 1/2"	300	5
TF400	4" POLY BULKHEAD TANK FITTING W/EPDM GASKET	5 3/4"	225	5

FEATURES

- Double sided female NPT threads
- Available with EPDM or FKM gasket
- Where noted, parts must be ordered in bag quantities



316 STAINLESS STEEL BULKHEAD FITTINGS

PART NO	DESCRIPTION	HOLE SIZE	MAX PSI	QTY
TF038SS	3/8" SS BULKHEAD TANK FITTING W/EPDM GASKET	1"	300	1
TF050SS	1/2" SS BULKHEAD TANK FITTING W/EPDM GASKET	1 3/8"	300	1
TF075SS	3/4" SS BULKHEAD TANK FITTING W/EPDM GASKET	1 5/8"	300	1
TF100SS	1" SS BULKHEAD TANK FITTING W/EPDM GASKET	2 1/4"	300	1
TF125SS	1 1/4" SS BULKHEAD TANK FITTING W/EPDM GASKET	2 1/4"	300	1
TF150SS	1 1/2" SS BULKHEAD TANK FITTING W/EPDM GASKET	3"	300	1
TF200SS	2" SS BULKHEAD TANK FITTING W/EPDM GASKET	3"	300	1
TF220SS	2" SS BULKHEAD TANK FITTING W/EPDM GASKET	3 1/4"	300	1
TF300SS	3" SS BULKHEAD TANK FITTING W/EPDM GASKET	4 3/8"	300	1

BULKHEAD GASKETS

PART NO	DESCRIPTION	HOLE SIZE	FITS POLY	FITS SS	LOT QTY
100G	3/8" Bulkhead EPDM Gasket	1"		TF038SS	25
100GV	3/8" Bulkhead FKM Gasket	1"		TF038SS	25
TF138GV	1/2" Bulkhead FKM Gasket	1 3/8"		TF050SS	1
150G	1/2" & 3/4" Bulkhead EPDM Gasket	1 5/8"	TF050 & TF075	TF075SS	25
150GV	1/2" & 3/4" Bulkhead FKM Gasket	1 5/8"	TF050 & TF075	TF075SS	25
200G	2" Bulkhead EPDM Gasket	2 1/4"	TF100 & TF125	TF100SS & TF125SS	25
200GV	2" Bulkhead FKM Gasket	2 1/4"	TF100 & TF125	TF100SS & TF125SS	25
300G	1 1/2" & 2" Bulkhead EPDM Gasket	3"	TF200 & TF150	TF200SS & TF150SS	25
300GV	1 1/2" & 2" Bulkhead FKM Gasket	3"	TF200 & TF150	TF200SS & TF150SS	25
TF220G	2" Bulkhead EPDM Gasket	3 1/4"	TF220	TF220SS	1
TF300G	3" Bulkhead EPDM Gasket	4 1/2"	TF300	TF300SS	1
TF400G	4" Poly Bulkhead EPDM Gasket	5 3/4"	TF400		1
TF400GV	4" Poly Bulkhead FKM Gasket	5 3/4"	TF400		1

IBC/TANK ACCESSORIES

ANTI VORTEX VENT CAPS

FEATURES

- Male NPT
- Glass reinforced polypropylene
- 304 stainless steel screen



ANTI VORTEX VENT CAPS

PART NO	DESCRIPTION	BORE SIZE	BORE AREA	VENT AREA	LOT QTY
VC200	2" ANTI VORTEX VENT CAP WITHOUT SCREEN	2"	3.1 SQ IN	3.9 SQ IN	10
VC230	2" ANTI VORTEX VENT CAP W/12 MESH SS SCREEN	2"	3.1 SQ IN	3.9 SQ IN	10
VC300	3" ANTI VORTEX VENT CAP WITHOUT SCREEN	3"	7 SQ IN	9 SQ IN	10
VC330	3" ANTI VORTEX VENT CAP W/10 MESH SS SCREEN	3"	7 SQ IN	9 SQ IN	1

ANTI VORTEX TANK FLANGES

FEATURES

- Standard with FKM
- Prevents swirl in bottom of tank



ANTI VORTEX TANK FLANGES

PART NO	DESCRIPTION	HOLE SIZE	QTY
TF100AV	1" ANTI VORTEX TANK FLANGES	2 1/4"	1
TF125AV	1 1/4" ANTI VORTEX TANK FLANGES	2 1/4"	1
TF150AV	1 1/2" ANTI VORTEX TANK FLANGES	3"	1
TF200AV	2" ANTI VORTEX TANK FLANGES	3"	1



THREADED ANSI FLANGES

PART NO	DESCRIPTION	LOT QTY
AF100	1" FEMALE THREADED ANSI FLANGE	10/BAG
AF150	1½" FEMALE THREADED ANSI FLANGE	10/BAG
AF200	2" FEMALE THREADED ANSI FLANGE	10
AF300	3" FEMALE THREADED ANSI FLANGE	5
AF400	4" FEMALE THREADED ANSI FLANGE	5

BLIND ANSI FLANGES

PART NO	DESCRIPTION	LOT QTY
AFB200	2" BLIND ANSI FLANGE	10/BAG
AFB300	3" BLIND ANSI FLANGE	5

ANSI FLANGE GASKETS

PART NO	DESCRIPTION	QTY
AF100G	1" ANSI FLANGE EPDM GASKET	1
AF100GV	1" ANSI FLANGE FKM GASKET	1
AF150G	1½" ANSI FLANGE EPDM GASKET	1
AF200G	2" ANSI FLANGE EPDM GASKET	1
AF200GV	2" ANSI FLANGE FKM GASKET	1
AF300G	3" ANSI FLANGE EPDM GASKET	1
AF300GV	3" ANSI FLANGE FKM GASKET	1
AF400G	4" ANSI FLANGE EPDM GASKET	1
AF400GV	4" ANSI FLANGE FKM GASKET	1

ANSI FLANGES

FEATURES

- Glass reinforced polypropylene
- Heavy duty

CAM LEVER COUPLINGS

1/4"-4" POLYPROPYLENE

FEATURES

- Stainless steel rings, arms and pins
- Versatile — interchangeable with all types of cam lever couplings
- Precision molded — ensures a uniform and accurate fit
- Durable — polypropylene is glass reinforced for rugged strength
- Smooth operating — finger rings are designed for easy opening of cam levers
- Economical and superior in performance
- Where noted, parts must be ordered in bag quantities
- 1/4" and 1/2" series couplings interchange with 3/4" size couplings. Coupling ends are 3/4" size.
- 1 1/4" series couplings interchange with 1" size couplings. Coupling ends are 1" size.
- 1 1/2" x 1 1/4" couplings interchange with 1 1/2" size couplings. Coupling ends are 1 1/2" size.



POLYPROPYLENE CAM LEVER COUPLINGS

ITEM	DESCRIPTION	1/4"	1/2"	3/4"	1"	1 1/4"	1 1/2" x 1 1/4"	1 1/2"	2"	2 1/2"	3"	3" 3 ARMS	4" 3 ARMS
A	MALE ADAPTER X FEMALE THREAD	75A1/4	75A1/2	75A3/4	100A	125A	150125A	150A	200A		300A		400A
B	FEMALE COUPLER X MALE THREAD		75B1/2	75B3/4	100B	125B	150125B	150B	200B		300B	303B	400B
C	FEMALE COUPLER X HOSE BARB		050C	075C	100C	125C	150125C	150C	200C		300C	303C	400C
D	FEMALE COUPLER X FEMALE THREAD		050D	075D	100D	125D	150125D	150D	200D		300D		400D
E	MALE ADAPTER X HOSE BARB		050E	075E	100E	125E	150125E	150E	200E		300E		400E
F	MALE ADAPTER X MALE THREAD		050F	075F	100F	125F	150125F	150F	200F		300F		400F
PL	PLUG FOR FEMALE COUPLER		75PL	75PL	100125PL	100125PL	150PL	150PL	200PL		300PL		400PL
CAP	CAP FOR MALE ADAPTER		075CAP	075CAP	100125CAP	100125CAP	150CAP	150CAP	200CAP	250CAP	300CAP		400CAP (2 arms)
CAPSH	CAP WITH SHORT ARMS						200CAPSH						

1/4" SERIES POLY CAM LEVER COUPLINGS

PART NO	DESCRIPTION	MAX PSI	GASKET	LOT QTY
75A1/4	3/4" MALE ADAPTER X 1/4" FEMALE THREAD	300	N/A	10/BAG

1/2" SERIES POLY CAM LEVER COUPLINGS

PART NO	DESCRIPTION	MAX PSI	GASKET	LOT QTY
75A1/2	3/4" MALE ADAPTER X 1/2" FEMALE THREAD	225	N/A	10/BAG
75B1/2	3/4" FEMALE COUPLER X 1/2" MALE THREAD	300	EPDM	10/BAG
050C	3/4" FEMALE COUPLER X 1/2" HOSE BARB	300	EPDM	10/BAG
050D	3/4" FEMALE COUPLER X 1/2" FEMALE THREAD	300	EPDM	10/BAG
050E	3/4" MALE ADAPTER X 1/2" HOSE BARB	300	N/A	10/BAG
050F	3/4" MALE ADAPTER X 1/2" MALE THREAD	300	N/A	10/BAG
075CAP	3/4" CAP X MALE ADAPTER	300	EPDM	10/BAG
75PL	3/4" PLUG X FEMALE COUPLER	300	N/A	10/BAG



WARNING! Couplings should not be disconnected under pressure or with liquid in the line.

CAM LEVER COUPLINGS

3/4" SERIES POLY CAM LEVER COUPLINGS

PART NO	DESCRIPTION	MAX PSI	GASKET	LOT QTY
75A3/4	3/4" MALE ADAPTER X 3/4" FEMALE THREAD	225	N/A	10/BAG
75B3/4	3/4" FEMALE COUPLER X 3/4" MALE THREAD	300	EPDM	10/BAG
075C	3/4" FEMALE COUPLER X 3/4" HOSE BARB	300	EPDM	10/BAG
075D	3/4" FEMALE COUPLER X 3/4" FEMALE THREAD	300	EPDM	10/BAG
075E	3/4" MALE ADAPTER X 3/4" HOSE BARB	300	N/A	10/BAG
075F	3/4" MALE ADAPTER X 3/4" MALE THREAD	300	N/A	10/BAG
075CAP	3/4" CAP X MALE ADAPTER	300	EPDM	10/BAG
75PL	3/4" PLUG X FEMALE COUPLER	300	N/A	10/BAG

1" SERIES POLY CAM LEVER COUPLINGS

PART NO	DESCRIPTION	MAX PSI	GASKET	LOT QTY
100A	1" MALE ADAPTER X 1" FEMALE THREAD	300	N/A	10/BAG
100B	1" FEMALE COUPLER X 1" MALE THREAD	300	EPDM	10/BAG
100C	1" FEMALE COUPLER X 1" HOSE BARB	300	EPDM	10/BAG
100D	1" FEMALE COUPLER X 1" FEMALE THREAD	300	EPDM	10/BAG
100E	1" MALE ADAPTER X 1" HOSE BARB	300	N/A	10/BAG
100F	1" MALE ADAPTER X 1" MALE THREAD	300	N/A	10/BAG
100125CAP	1" CAP X MALE ADAPTER	300	EPDM	10/BAG
100125PL	1" PLUG X FEMALE COUPLER	300	N/A	10/BAG

1 1/4" SERIES POLY CAM LEVER COUPLINGS

PART NO	DESCRIPTION	MAX PSI	GASKET	LOT QTY
125A	1" MALE ADAPTER X 1 1/4" FEMALE THREAD	300	N/A	10/BAG
125B	1" FEMALE COUPLER X 1 1/4" MALE THREAD	300	EPDM	10/BAG
125C	1" FEMALE COUPLER X 1 1/4" HOSE BARB	300	EPDM	10/BAG
125D	1" FEMALE COUPLER X 1 1/4" FEMALE THREAD	300	EPDM	10/BAG
125E	1" MALE ADAPTER X 1 1/4" HOSE BARB	300	N/A	10/BAG
125F	1" MALE ADAPTER X 1 1/4" MALE THREAD	300	N/A	10/BAG
100125CAP	1" CAP X MALE ADAPTER	300	EPDM	10/BAG
100125PL	1" PLUG X FEMALE COUPLER	300	N/A	10/BAG

1 1/2" X 1 1/4" SERIES POLY CAM LEVER COUPLINGS

PART NO	DESCRIPTION	MAX PSI	GASKET	LOT QTY
150125A	1 1/2" MALE ADAPTER X 1 1/4" FEMALE THREAD	225	N/A	10/BAG
150125B	1 1/2" FEMALE COUPLER X 1 1/4" MALE THREAD	300	EPDM	10
150125C	1 1/2" FEMALE COUPLER X 1 1/4" HOSE BARB	300	EPDM	10
150125D	1 1/2" FEMALE COUPLER X 1 1/4" FEMALE THREAD	300	EPDM	10
150125E	1 1/2" MALE ADAPTER X 1 1/4" HOSE BARB	225	EPDM	10/BAG
150125F	1 1/2" MALE ADAPTER X 1 1/4" MALE THREAD	300	N/A	10/BAG
150CAP	1 1/2" CAP X MALE ADAPTER	300	EPDM	10
150PL	1 1/2" PLUG X FEMALE COUPLER	225	N/A	10/BAG

1 1/2" SERIES POLY CAM LEVER COUPLINGS

PART NO	DESCRIPTION	MAX PSI	GASKET	LOT QTY
150A	1 1/2" MALE ADAPTER X 1 1/2" FEMALE THREAD	225	N/A	10/BAG
150B	1 1/2" FEMALE COUPLER X 1 1/2" MALE THREAD	300	EPDM	10
150C	1 1/2" FEMALE COUPLER X 1 1/2" HOSE BARB	300	EPDM	10
150D	1 1/2" FEMALE COUPLER X 1 1/2" FEMALE THREAD	300	EPDM	10
150E	1 1/2" MALE ADAPTER X 1 1/2" HOSE BARB	200	N/A	10/BAG
150F	1 1/2" MALE ADAPTER X 1 1/2" MALE THREAD	300	N/A	10/BAG
150CAP	1 1/2" CAP X MALE ADAPTER	300	EPDM	10
150PL	1 1/2" PLUG X FEMALE COUPLER	225	N/A	10/BAG

1/4"-4" POLYPROPYLENE

FEATURES

- Stainless steel rings, arms and pins
- Versatile — interchangeable with all types of cam lever couplings
- Precision molded — ensures a uniform and accurate fit
- Durable — polypropylene is glass reinforced for rugged strength
- Smooth operating — finger rings are designed for easy opening of cam levers
- Economical and superior in performance
- Standard with EPDM gaskets, FKM gaskets can be ordered separately on page 79
- Where noted, parts must be ordered in bag quantities
- 1/4", 3/8" and 1/2" series couplings interchange with 3/4" size couplings. Coupling ends are 3/4" size.
- 1 1/4" series couplings interchange with 1" size couplings. Coupling ends are 1" size.
- 1 1/2" x 1 1/4" couplings interchange with 1 1/2" size couplings. Coupling ends are 1 1/2" size.



WARNING! Couplings should not be disconnected under pressure or with liquid in the line.

CAM LEVER COUPLINGS

1/4"-4" POLYPROPYLENE

FEATURES

- Stainless steel rings, arms and pins
- Versatile — interchangeable with all types of cam lever couplings
- Precision molded — ensures a uniform and accurate fit
- Durable — polypropylene is glass reinforced for rugged strength
- Smooth operating — finger rings are designed for easy opening of cam levers
- Economical and superior in performance
- Where noted, parts must be ordered in bag quantities
- 1/4", 3/8" and 1/2" series couplings interchange with 3/4" size couplings. Coupling ends are 3/4" size.
- 1/4" series couplings interchange with 1" size couplings. Coupling ends are 1" size.
- 1/2" x 1/4" couplings interchange with 1 1/2" size couplings. Coupling ends are 1 1/2" size.



WARNING! Couplings should not be disconnected under pressure or with liquid in the line.

2" SERIES POLY CAM LEVER COUPLINGS

PART NO	DESCRIPTION	MAX PSI	GASKET	LOT QTY
200A	2" MALE ADAPTER X 2" FEMALE THREAD	225	N/A	10/BAG
200B	2" FEMALE COUPLER X 2" MALE THREAD	225	EPDM	20
201B	2" FEMALE COUPLER X 2" EXTENDED MALE THREAD	200	EPDM	10
200C	2" FEMALE COUPLER X 2" HOSE BARB	225	EPDM	20
200D	2" FEMALE COUPLER X 2" FEMALE THREAD	200	EPDM	20
200E	2" MALE ADAPTER X 2" HOSE BARB	200	N/A	10/BAG
200F	2" MALE ADAPTER X 2" MALE THREAD	300	N/A	10/BAG
200CAP	2" CAP X MALE ADAPTER	200	EPDM	20
200CAPSH	2" CAP X MALE ADAPTER W/SHORT ARMS	200	EPDM	10
200PL	2" PLUG X FEMALE COUPLER	225	N/A	10/BAG

2" X 1 1/2" SERIES POLY CAM LEVER COUPLINGS

PART NO	DESCRIPTION	MAX PSI	GASKET	LOT QTY
200150C	2" FEMALE COUPLER X 1 1/2" HOSE BARB	300	EPDM	10

2 1/2" SERIES POLY CAM LEVER COUPLINGS

PART NO	DESCRIPTION	MAX PSI	GASKET	QTY
250CAP	2 1/2" CAP X MALE ADAPTER	300	EPDM	1

3" SERIES POLY CAM LEVER COUPLINGS

PART NO	DESCRIPTION	MAX PSI	GASKET	LOT QTY
300A	3" MALE ADAPTER X 3" FEMALE THREAD	100	N/A	10
300B	3" FEMALE COUPLER X 3" MALE THREAD	150	EPDM	10
303B	3" FEMALE COUPLER X 3" EXTENDED MALE THREAD	200	EPDM	10
303B200A	3" FEMALE COUPLER W/ 3 ARMS X 2" MALE ADAPTER	200	EPDM	10
300C	3" FEMALE COUPLER X 3" HOSE BARB	200	EPDM	10
303C	3" FEMALE COUPLER W/ 3 ARMS X 3" HOSE BARB	200	EPDM	10
300D	3" FEMALE COUPLER X 3" FEMALE THREAD	200	EPDM	10
300E	3" MALE ADAPTER X 3" HOSE BARB	150	N/A	10
300F	3" MALE ADAPTER X 3" MALE THREAD	100	N/A	10
300CAP	3" CAP X MALE ADAPTER	100	EPDM	10
300PL	3" PLUG X FEMALE COUPLER	150	N/A	10

4" SERIES POLY CAM LEVER COUPLINGS

PART NO	DESCRIPTION	MAX PSI	GASKET	LOT QTY
400A	4" MALE ADAPTER X 4" FEMALE THREAD	75	N/A	10
400B	4" FEMALE COUPLER X 4" MALE THREAD	150	EPDM	10
400C	4" FEMALE COUPLER X 4" HOSE BARB	150	EPDM	10
400D	4" FEMALE COUPLER X 4" FEMALE THREAD	100	EPDM	10
400E	4" MALE ADAPTER X 4" HOSE BARB	50	N/A	10
400F	4" MALE ADAPTER X 4" MALE THREAD	75	N/A	10
400CAP	4" CAP X MALE ADAPTER (W/2 ARMS)	100	EPDM	10
400PL	4" PLUG X FEMALE COUPLER	75	N/A	10

CAM LEVER COUPLINGS

EASY ACTION
LOCKING LEVER!



EPDM



FKM

LOCKING ARM
WITH RING



PIN



1½" - 2" SERIES LOCKING POLY CAM LEVER COUPLINGS

PART NO	DESCRIPTION	MAX PSI	GASKET	QTY
L200B	2" FEMALE COUPLER X 2" MALE THREAD	225	EPDM	1
L200C	2" FEMALE COUPLER X 2" HOSE BARB	225	EPDM	1
L200D	2" FEMALE COUPLER X 2" FEMALE THREAD	200	EPDM	1
L200CAP	2" CAP X MALE ADAPTER	200	EPDM	1

SPOOL ADAPTERS

PART NO	DESCRIPTION	MAX PSI	GASKET	LOT QTY
200FF	2" MALE ADAPTER X 2" MALE ADAPTER	150	N/A	10/BAG
300F200F	3" MALE ADAPTER X 2" MALE ADAPTER	75	N/A	10
300FF	3" MALE ADAPTER X 3" MALE ADAPTER	75	N/A	10

REPLACEMENT PARTS

PART NO	DESCRIPTION	LOT QTY
100RING	RING FITS ¾" & 1"	1
150RING	RING FITS 1½", 2", 3", 4"	1
150(200)K	1½", 2" SS CAM ARM W/RING	1
300K	3" SS CAM ARM WITH RING	1
V20207	11" LANYARD	1
75G	½" & ¾" EPDM GASKET	25
100G	1" & 1¼" EPDM GASKET	25
100GV	1" & 1¼" FKM GASKET	25
150G	1½" EPDM GASKET	25
150GV	1½" FKM GASKET	25
200G	2" EPDM GASKET	25
200GV	2" FKM GASKET	25
300G	3" EPDM GASKET	25
300GV	3" FKM GASKET	25
400G	4" EPDM GASKET	1
200KL	2" LOCKING CAM ARM WITH RING FITS 1½" & 2"	1
200PKL	2" COUPLING PIN FITS 1½" & 2"	1
200P	2" COUPLING PIN	1
300P	3" COUPLING PIN	1

¼"-4" POLYPROPYLENE

FEATURES

- Chemical resistant to protect against corrosion
- Versatile to interchange with all types of cam lever couplings
- Smooth operation makes connections quick and easy
- Where noted, parts must be ordered in bag quantities
- Locking cam arm lever is not intended to be used as a security device or prevent unauthorized opening of coupling assembly.



WARNING! Couplings should not be disconnected under pressure or with liquid in the line.

CAM LEVER COUPLINGS

1½"-2" 90° & 45°
POLYPROPYLENE

FEATURES

- Precision molded in polypropylene, reinforced with fiberglass for strength
- Stainless steel rings, arms and pins resist corrosion
- 90° angle couplings and adapters will reduce the number of elbows and other pipe fittings used in plumbing applications



WARNING! Couplings should not be disconnected under pressure or with liquid in the line.



1½" 90° POLY CAM LEVER COUPLINGS

PART NO	DESCRIPTION	MAX PSI	GASKET	LOT QTY
150A90	1½" 90° MALE ADAPTER X 1½" FEMALE THREAD	225	N/A	10/BAG
150C90	1½" 90° FEMALE COUPLER X 1½" HOSE BARB	225	EPDM	10
150D90	1½" 90° FEMALE COUPLER X 1½" FEMALE THREAD	300	EPDM	10
150F90	1½" 90° MALE ADAPTER X 1½" MALE THREAD	300	N/A	10/BAG

2" 90° SERIES POLY CAM LEVER COUPLINGS

PART NO	DESCRIPTION	MAX PSI	GASKET	LOT QTY
200A90	2" 90° MALE ADAPTER X 2" FEMALE THREAD	225	N/A	10/BAG
200B90	2" 90° FEMALE COUPLER X 2" MALE THREAD	225	EPDM	10
200C90	2" 90° FEMALE COUPLER X 2" HOSE BARB	225	EPDM	10
200D90	2" 90° FEMALE COUPLER X 2" FEMALE THREAD	200	EPDM	10
200F90	2" 90° MALE ADAPTER X 2" MALE THREAD	225	N/A	10/BAG

2" 45° POLY CAM LEVER COUPLINGS

PART NO	DESCRIPTION	MAX PSI	GASKET	LOT QTY
200F45	2" 45° MALE ADAPTER X 2" MALE THREAD	225	N/A	10/BAG

CAM LEVER COUPLINGS

GARDEN HOSE FITTINGS

FEATURES

- Same construction and design that farmers use for their heavy spraying applications.
- Rugged, secure quick-connect cam arms
- Heavy-duty thick wall reinforced polypropylene
- Proven, leak-free construction
- Full flow design



GARDEN HOSE FITTINGS

PART NO	DESCRIPTION	MAX PSI	LOT QTY
GHFT075A	3/4" ADAPTER X 3/4" GARDEN HOSE FEMALE THREAD	225	10/BAG
GHMT075B	3/4" COUPLER X 3/4" GARDEN HOSE MALE THREAD	300	10/BAG
GHFT075D	3/4" COUPLER X 3/4" GARDEN HOSE FEMALE THREAD	300	10/BAG
GHMT075F	3/4" ADAPTER X 3/4" GARDEN HOSE MALE THREAD	300	10/BAG
GHFT075MPT	3/4" MALE NPT X 3/4" GARDEN HOSE FEMALE THREAD	300	10/BAG
GHMT075FPT	3/4" FEMALE NPT X 3/4" GARDEN HOSE MALE THREAD	300	10/BAG
GHMT075MPT	3/4" MALE NPT X 3/4" GARDEN HOSE MALE THREAD	300	10/BAG
GHFT075G	3/4" GARDEN HOSE FITTING GASKET	N/A	25



GARDEN HOSE NOZZLE

FEATURES

- Heavy duty machined aluminum construction stands up to hard use
- Comfort grip soft rubber
- Resists dents, mars and scratches; protects any surface that comes in contact with nozzle
- Aluminum hose connection provides a tight fit, will not rust
- Multiple spray pattern adjusts from a powerful jet stream to a gentle fan spray. Ideal for all your spraying needs.
- Stainless steel spray cap for precise spray patterns



GARDEN HOSE NOZZLE

PART NO	DESCRIPTION	MAX PSI	QTY
GHN075	3/4" GARDEN HOSE SPRAY NOZZLE	N/A	1

PIPE FITTINGS

SUPER CLAMPS

FEATURES

- Stainless steel construction
- 304 stainless steel bolt with 316 stainless steel nut to prevent seizing
- 360° sealing surface
- Ideal for high torque applications
- Strong, positive connections where ordinary hose clamps fail
- T-bolt design
- 3 spot welds for extra strength
- Sold in bags of 10 only
- Torque specifications: working torque 50-80 inch pounds, maximum torque 125 inch pounds
- Please note new Min-Max Diameter measurements.



SUPER CLAMPS

PART NO	DESCRIPTION	MIN-MAX DIAMETER	MAX TORQUE	LOT QTY
TC120	1" T-BOLT HOSE CLAMP	1.18"-1.34"	75 IN-LBS	10/BAG
TC130	1¼" T-BOLT HOSE CLAMP	1.34"-1.50"	75 IN-LBS	10/BAG
TC150	1½" T-BOLT HOSE CLAMP	1.50"-1.62"	75 IN-LBS	10/BAG
TC162	1¾" T-BOLT HOSE CLAMP	1.62"-1.87"	75 IN-LBS	10/BAG
TC181	1½" T-BOLT HOSE CLAMP	1.84"-2.12"	75 IN-LBS	10/BAG
TC193	1½" T-BOLT HOSE CLAMP	1.93"-2.24"	75 IN-LBS	10/BAG
TC206	2" T-BOLT HOSE CLAMP	2.17"-2.48"	75 IN-LBS	10/BAG
TC218	2" T-BOLT HOSE CLAMP	2.18"-2.52"	75 IN-LBS	10/BAG
TC224	2" T-BOLT HOSE CLAMP	2.24"-2.58"	75 IN-LBS	10/BAG
TC231	2" T-BOLT HOSE CLAMP	2.31"-2.65"	75 IN-LBS	10/BAG
TC250	2" T-BOLT HOSE CLAMP	2.50"-2.81"	75 IN-LBS	10/BAG
TC287	2" T-BOLT HOSE CLAMP	2.83"-3.21"	75 IN-LBS	10/BAG
TC312	3" T-BOLT HOSE CLAMP	3.24"-3.58"	75 IN-LBS	10/BAG
TC331	3" T-BOLT HOSE CLAMP	3.27"-3.65"	75 IN-LBS	10/BAG
TC343	3" T-BOLT HOSE CLAMP	3.39"-3.77"	75 IN-LBS	10/BAG
TC425	4" T-BOLT HOSE CLAMP	4.21"-4.59"	75 IN-LBS	10/BAG
TC438	4" T-BOLT HOSE CLAMP	4.28"-4.69"	125 IN-LBS	10/BAG
TC456	4" T-BOLT HOSE CLAMP	4.46"-4.87"	125 IN-LBS	10/BAG



NIPPLES

PART NO	DESCRIPTION	MAX PSI	LOT QTY
NIP025-SH	1/4" SHORT POLY NIPPLE	300	10/BAG
NIP038-SH	3/8" SHORT POLY NIPPLE	300	10/BAG
NIP050-SH	1/2" SHORT POLY NIPPLE	300	10/BAG
NIP050-3	1/2" X 3" POLY NIPPLE	300	10/BAG
NIP075-SH	3/4" SHORT POLY NIPPLE	300	10/BAG
NIP075-4	3/4" X 4" POLY NIPPLE	300	10/BAG
NIP075-6	3/4" X 6" POLY NIPPLE	300	10/BAG
NIP100-SH	1" SHORT POLY NIPPLE	300	10/BAG
NIP100-4	1" X 4" POLY NIPPLE	300	10/BAG
NIP100-6	1" X 6" POLY NIPPLE	300	10/BAG
NIP125-SH	1 1/4" SHORT POLY NIPPLE	300	10/BAG
NIP125-4	1 1/4" X 4" POLY NIPPLE	300	10/BAG
NIP125-6	1 1/4" X 6" POLY NIPPLE	300	10/BAG
NIP150-SH	1 1/2" SHORT POLY NIPPLE	300	10/BAG
NIP150-3	1 1/2" X 3" POLY NIPPLE	300	10/BAG
NIP150-4	1 1/2" X 4" POLY NIPPLE	300	10/BAG
NIP150-5	1 1/2" X 5" POLY NIPPLE	300	10/BAG
NIP150-6	1 1/2" X 6" POLY NIPPLE	300	10/BAG
NIP200-SH	2" SHORT POLY NIPPLE	300	10/BAG
NIP200-4	2" X 4" POLY NIPPLE	300	10/BAG
NIP200-6	2" X 6" POLY NIPPLE	300	10/BAG
NIP300-SH	3" SHORT POLY NIPPLE	300	10/BAG
NIP300-4	3" X 4" POLY NIPPLE	300	10/BAG
NIP300-6	3" X 6" POLY NIPPLE	300	10



REDUCING NIPPLES

PART NO	DESCRIPTION	MAX PSI	LOT QTY
RN050-038	1/2" X 3/8" POLY REDUCING NIPPLE	300	10/BAG
RN075-050	3/4" X 1/2" POLY REDUCING NIPPLE	300	10/BAG
RN100-050	1" X 1/2" POLY REDUCING NIPPLE	300	10/BAG
RN100-075	1" X 3/4" POLY REDUCING NIPPLE	300	10/BAG
RN125-075	1 1/4" X 3/4" POLY REDUCING NIPPLE	300	10/BAG
RN125-100	1 1/4" X 1" POLY REDUCING NIPPLE	300	10/BAG
RN150-100	1 1/2" X 1" POLY REDUCING NIPPLE	300	10/BAG
RN150-125	1 1/2" X 1 1/4" POLY REDUCING NIPPLE	300	10/BAG
RN200-125	2" X 1 1/4" POLY REDUCING NIPPLE	300	10/BAG
RN200-150	2" X 1 1/2" POLY REDUCING NIPPLE	300	10/BAG
RN300-200	3" X 2" POLY REDUCING NIPPLE	300	10/BAG



PIPE COUPLINGS

PART NO	DESCRIPTION	MAX PSI	LOT QTY
CPLG025	1/4" POLY PIPE COUPLING	300	10/BAG
CPLG038	3/8" POLY PIPE COUPLING	300	10/BAG
CPLG050	1/2" POLY PIPE COUPLING	300	10/BAG
CPLG075	3/4" POLY PIPE COUPLING	300	10/BAG
CPLG100	1" POLY PIPE COUPLING	300	10/BAG
CPLG125	1 1/4" POLY PIPE COUPLING	300	10/BAG
CPLG150	1 1/2" POLY PIPE COUPLING	300	10/BAG
CPLG200	2" POLY PIPE COUPLING	300	10/BAG
CPLG300	3" POLY PIPE COUPLING	225	5



REDUCING COUPLINGS

PART NO	DESCRIPTION	MAX PSI	LOT QTY
RC100-075	1" X 3/4" POLY REDUCING COUPLING	300	10/BAG
RC150-100	1 1/2" X 1" POLY REDUCING COUPLING	300	10/BAG
RC150-125	1 1/2" X 1 1/4" POLY REDUCING COUPLING	300	10/BAG
RC200-050	2" X 1/2" POLY REDUCING COUPLING	300	10/BAG
RC200-100	2" X 1" POLY REDUCING COUPLING	300	10/BAG
RC200-125	2" X 1 1/4" POLY REDUCING COUPLING	300	10/BAG
RC200-150	2" X 1 1/2" POLY REDUCING COUPLING	300	10/BAG
RC300-200	3" X 2" POLY REDUCING COUPLING	300	5



REDUCING BUSHINGS

PART NO	DESCRIPTION	MAX PSI	LOT QTY
RB038-025	3/8" MPT X 1/4" FPT REDUCING BUSHING	300	10/BAG
RB050-025	1/2" MPT X 1/4" FPT REDUCING BUSHING	300	10/BAG
RB050-038	1/2" MPT X 3/8" FPT REDUCING BUSHING	300	10/BAG
RB075-025	3/4" MPT X 1/4" FPT REDUCING BUSHING	300	10/BAG
RB075-038	3/4" MPT X 3/8" FPT REDUCING BUSHING	300	10/BAG
RB075-050	3/4" MPT X 1/2" FPT REDUCING BUSHING	300	10/BAG
RB100-025	1" MPT X 1/4" FPT REDUCING BUSHING	300	10/BAG
RB100-050	1" MPT X 1/2" FPT REDUCING BUSHING	300	10/BAG
RB100-075	1" MPT X 3/4" FPT REDUCING BUSHING	300	10/BAG
RB125-075	1 1/4" MPT X 3/4" FPT REDUCING BUSHING	300	10/BAG
RB125-100	1 1/4" MPT X 1" FPT REDUCING BUSHING	300	10/BAG
RB150-075	1 1/2" MPT X 3/4" FPT REDUCING BUSHING	300	10/BAG
RB150-100	1 1/2" MPT X 1" FPT REDUCING BUSHING	300	10/BAG
RB150-125	1 1/2" MPT X 1 1/4" FPT REDUCING BUSHING	300	10/BAG
RB200-075	2" MPT X 3/4" FPT REDUCING BUSHING	300	10/BAG
RB200-100	2" MPT X 1" FPT REDUCING BUSHING	300	10/BAG
RB200-125	2" MPT X 1 1/4" FPT REDUCING BUSHING	300	10/BAG
RB200-150	2" MPT X 1 1/2" FPT REDUCING BUSHING	300	10/BAG
RB300-150	3" MPT X 1 1/2" FPT REDUCING BUSHING	300	10
RB300-200	3" MPT X 2" FPT REDUCING BUSHING	300	10/BAG
RB400-300	4" MPT X 3" FPT REDUCING BUSHING	300	5

PIPE FITTINGS

FEATURES

- Glass reinforced polypropylene
- Heavy duty (Schedule 80)
- Lightweight with excellent strength
- NPT threads
- Excellent chemical resistance
- Where noted, parts must be ordered in bag quantities

PIPE FITTINGS

PIPE FITTINGS

FEATURES

- Glass reinforced polypropylene
- Heavy duty (Schedule 80)
- Lightweight with excellent strength
- NPT threads
- Excellent chemical resistance
- Where noted, parts must be ordered in bag quantities



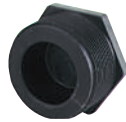
PIPE CAPS

PART NO	DESCRIPTION	MAX PSI	LOT QTY
CAP038	3/8" POLY PIPE CAP	300	10/BAG
CAP050	1/2" POLY PIPE CAP	300	10/BAG
CAP075	3/4" POLY PIPE CAP	300	10/BAG
CAP100	1" POLY PIPE CAP	300	10/BAG
CAP125	1 1/4" POLY PIPE CAP	300	10/BAG
CAP150	1 1/2" POLY PIPE CAP	300	10/BAG
CAP200	2" POLY PIPE CAP	300	10/BAG
CAP300	3" POLY PIPE CAP	300	5



CROSSES

PART NO	DESCRIPTION	MAX PSI	LOT QTY
CR050	1/2" POLY CROSS	300	10/BAG
CR075	3/4" POLY CROSS	300	10/BAG
CR100	1" POLY CROSS	300	10/BAG
CR125	1 1/4" POLY CROSS	300	10/BAG
CR150	1 1/2" POLY CROSS	300	10
CR200	2" POLY CROSS	300	10



PIPE PLUGS

PART NO	DESCRIPTION	MAX PSI	LOT QTY
PLUG025	1/4" POLY PIPE PLUG	300	10/BAG
PLUG038	3/8" POLY PIPE PLUG	300	10/BAG
PLUG050	1/2" POLY PIPE PLUG	300	10/BAG
PLUG075	3/4" POLY PIPE PLUG	300	10/BAG
PLUG100	1" POLY PIPE PLUG	300	10/BAG
PLUG125	1 1/4" POLY PIPE PLUG	300	10/BAG
PLUG150	1 1/2" POLY PIPE PLUG	300	10/BAG
PLUG200	2" POLY PIPE PLUG	300	10/BAG
PLUG300	3" POLY PIPE PLUG	300	10



TEES

PART NO	DESCRIPTION	MAX PSI	LOT QTY
TEE025	1/4" POLY TEE	300	10/BAG
TEE038	3/8" POLY TEE	300	10/BAG
TEE050	1/2" POLY TEE	300	10/BAG
TEE075	3/4" POLY TEE	300	10/BAG
TEE100	1" POLY TEE	300	10/BAG
TEE125	1 1/4" POLY TEE	300	10/BAG
TEE150	1 1/2" POLY TEE	300	10/BAG
TEE200	2" POLY TEE	300	10/BAG
TEE300	3" POLY TEE	225	10



HOSE BARB CROSS

PART NO	DESCRIPTION	MAX PSI	LOT QTY
HBC050075	1/2" X 3/4" HOSE BARB CROSS	300	10/BAG



GAUGE PORT TEE

PART NO	DESCRIPTION	MAX PSI	LOT QTY
TEG075	3/4" POLY TEE W/ 1/4" FEMALE THREAD	300	10/BAG
TEG100	1" POLY TEE W/ 1/4" FEMALE THREAD	300	10/BAG

PIPE FITTINGS



90° ELBOWS

PART NO	DESCRIPTION	MAX PSI	LOT QTY
EL025-90	1/4" 90° POLY ELBOW	300	10/BAG
EL038-90	3/8" 90° POLY ELBOW	300	10/BAG
EL050-90	1/2" 90° POLY ELBOW	300	10/BAG
EL075-90	3/4" 90° POLY ELBOW	300	10/BAG
EL100-90	1" 90° POLY ELBOW	300	10/BAG
EL125-90	1 1/4" 90° POLY ELBOW	300	10/BAG
EL150-90	1 1/2" 90° POLY ELBOW	300	10/BAG
EL200-90	2" 90° POLY ELBOW	300	10/BAG
EL300-90	3" 90° POLY ELBOW	300	10



45° STREET ELBOWS

PART NO	DESCRIPTION	MAX PSI	LOT QTY
SL075-45	3/4" 45° POLY STREET ELBOW	300	10/BAG
SL100-45	1" 45° POLY STREET ELBOW	300	10/BAG
SL125-45	1 1/4" 45° POLY STREET ELBOW	300	10/BAG
SL150-45	1 1/2" 45° POLY STREET ELBOW	300	10/BAG
SL200-45	2" 45° POLY STREET ELBOW	225	10/BAG
SL300-45	3" 45° POLY STREET ELBOW	300	5

FEATURES

- Glass reinforced polypropylene
- Heavy duty (Schedule 80)
- Lightweight with excellent strength
- NPT threads
- Excellent chemical resistance
- Where noted, parts must be ordered in bag quantities



45° ELBOW

PART NO	DESCRIPTION	MAX PSI	LOT QTY
EL100-45	1" 45° POLY ELBOW	300	10/BAG



90° HOSE BARB ELBOW

PART NO	DESCRIPTION	MAX PSI	LOT QTY
HBB20012590	2" X 1 1/4" 90° POLY HOSE BARB ELBOW	300	10/BAG



90° STREET ELBOWS

PART NO	DESCRIPTION	MAX PSI	LOT QTY
SL025-90	1/4" 90° POLY STREET ELBOW	300	10/BAG
SL038-90	3/8" 90° POLY STREET ELBOW	300	10/BAG
SL050-90	1/2" 90° POLY STREET ELBOW	300	10/BAG
SL075-90	3/4" 90° POLY STREET ELBOW	300	10/BAG
SL100-90	1" 90° POLY STREET ELBOW	300	10/BAG
SL125-90	1 1/4" 90° POLY STREET ELBOW	300	10/BAG
SL150-90	1 1/2" 90° POLY STREET ELBOW	300	10/BAG
SL200-90	2" 90° POLY STREET ELBOW	300	10/BAG
SL300-90	3" 90° POLY STREET ELBOW	300	10



90° HOSE BARB ELBOW

PART NO	DESCRIPTION	MAX PSI	LOT QTY
HBEL100-90	1" 90° POLY HOSE BARB ELBOW	300	10/BAG
HBEL150/100-90	1 1/2" X 1" 90° POLY HOSE BARB ELBOW	300	10/BAG

PIPE FITTINGS

HOSE BARBS



FEATURES

- Glass reinforced polypropylene
- Heavy duty (Schedule 80)
- Lightweight with excellent strength
- NPT threads
- Excellent chemical resistance
- Where noted, parts must be ordered in bag quantities

STRAIGHT HOSE BARBS

PART NO	DESCRIPTION	MAX PSI	LOT QTY
HB025	1/4" MALE THREAD X 1/4" HOSE BARB	300	10/BAG
HB025-038	1/4" MALE THREAD X 3/8" HOSE BARB	300	10/BAG
HB025-050	1/4" MALE THREAD X 1/2" HOSE BARB	300	10/BAG
HB038	3/8" MALE THREAD X 3/8" HOSE BARB	300	10/BAG
HB038-050	3/8" MALE THREAD X 1/2" HOSE BARB	300	10/BAG
HB050-025	1/2" MALE THREAD X 1/4" HOSE BARB	300	10/BAG
HB050-038	1/2" MALE THREAD X 3/8" HOSE BARB	300	10/BAG
HB050	1/2" MALE THREAD X 1/2" HOSE BARB	300	10/BAG
HB050-075	1/2" MALE THREAD X 3/4" HOSE BARB	300	10/BAG
HB075-038	3/4" MALE THREAD X 3/8" HOSE BARB	300	10/BAG
HB075-050	3/4" MALE THREAD X 1/2" HOSE BARB	300	10/BAG
HB075-058	3/4" MALE THREAD X 5/8" HOSE BARB	300	10/BAG
HB075	3/4" MALE THREAD X 3/4" HOSE BARB	300	10/BAG
HB075-100	3/4" MALE THREAD X 1" HOSE BARB	300	10/BAG
HB100-075	1" MALE THREAD X 3/4" HOSE BARB	300	10/BAG
HB100	1" MALE THREAD X 1" HOSE BARB	300	10/BAG
HB100-125	1" MALE THREAD X 1 1/4" HOSE BARB	300	10/BAG
HB125-075	1 1/4" MALE THREAD X 3/4" HOSE BARB	300	10/BAG
HB125-100	1 1/4" MALE THREAD X 1" HOSE BARB	300	10/BAG
HB125	1 1/4" MALE THREAD X 1 1/4" HOSE BARB	300	10/BAG
HB125-150	1 1/4" MALE THREAD X 1 1/2" HOSE BARB	300	10/BAG
HB150-100	1 1/2" MALE THREAD X 1" HOSE BARB	300	10/BAG
HB150-125	1 1/2" MALE THREAD X 1 1/4" HOSE BARB	300	10/BAG
HB150	1 1/2" MALE THREAD X 1 1/2" HOSE BARB	300	10/BAG
HB150-200	1 1/2" MALE THREAD X 2" HOSE BARB	300	10/BAG
HB200-150	2" MALE THREAD X 1 1/2" HOSE BARB	300	10/BAG
HB200	2" MALE THREAD X 2" HOSE BARB	300	10/BAG
HB300	3" MALE THREAD X 3" HOSE BARB	225	10
HB400	4" MALE THREAD X 4" HOSE BARB	150	1



FEMALE HOSE BARBS

PART NO	DESCRIPTION	MAX PSI	LOT QTY
HBF075	3/4" FEMALE THREAD X 3/4" HOSE BARB	300	10/BAG
HBF075-90	3/4" FEMALE THREAD X 3/4" 90° HOSE BARB	300	10/BAG
HBF075-100	3/4" FEMALE THREAD X 1" HOSE BARB	300	10/BAG
HBF100	1" FEMALE THREAD X 1" HOSE BARB	300	10/BAG



90° HOSE BARBS

PART NO	DESCRIPTION	MAX PSI	LOT QTY
HB025-90	1/4" MALE THREAD X 1/4" 90° HOSE BARB	300	10/BAG
HB025/038-90	1/4" MALE THREAD X 3/8" 90° HOSE BARB	300	10/BAG
HB025/050-90	1/4" MALE THREAD X 1/2" 90° HOSE BARB	300	10/BAG
HB038-90	3/8" MALE THREAD X 3/8" 90° HOSE BARB	300	10/BAG
HB050/038-90	1/2" MALE THREAD X 3/8" 90° HOSE BARB	300	10/BAG
HB050-90	1/2" MALE THREAD X 1/2" 90° HOSE BARB	300	10/BAG
HB050/075-90	1/2" MALE THREAD X 3/4" 90° HOSE BARB	300	10/BAG
HB075/050-90	3/4" MALE THREAD X 1/2" 90° HOSE BARB	300	10/BAG
HB075-90	3/4" MALE THREAD X 3/4" 90° HOSE BARB	300	10/BAG
HB075/100-90	3/4" MALE THREAD X 1" 90° HOSE BARB	300	10/BAG
HB100/075-90	1" MALE THREAD X 3/4" 90° HOSE BARB	300	10/BAG
HB100-90	1" MALE THREAD X 1" 90° HOSE BARB	300	10/BAG
HB100/125-90	1" MALE THREAD X 1 1/4" 90° HOSE BARB	300	10/BAG
HB125/100-90	1 1/4" MALE THREAD X 1" 90° HOSE BARB	300	10/BAG
HB125-90	1 1/4" MALE THREAD X 1 1/4" 90° HOSE BARB	300	10/BAG
HB125/150-90	1 1/4" MALE THREAD X 1 1/2" 90° HOSE BARB	300	10/BAG
HB150/125-90	1 1/2" MALE THREAD X 1 1/4" 90° HOSE BARB	300	10/BAG
HB150-90	1 1/2" MALE THREAD X 1 1/2" 90° HOSE BARB	300	10/BAG
HB200/150-90	2" MALE THREAD X 1 1/2" 90° HOSE BARB	300	10/BAG
HB200-90	2" MALE THREAD X 2" 90° HOSE BARB	300	10/BAG
HB300-90	3" MALE THREAD X 3" 90° HOSE BARB	225	10



316 STAINLESS STEEL HOSE BARBS

PART NO	DESCRIPTION	MAX PSI	LOT QTY
HB025SS	1/4" MALE THREAD X 1/4" HOSE BARB	300	10
HB025-038SS	1/4" MALE THREAD X 3/8" HOSE BARB	300	10
HB025-050SS	1/4" MALE THREAD X 1/2" HOSE BARB	300	10
HB038SS	3/8" MALE THREAD X 3/8" HOSE BARB	300	10
HB038-050SS	3/8" MALE THREAD X 1/2" HOSE BARB	300	10
HB050SS	1/2" MALE THREAD X 1/2" HOSE BARB	300	10
HB050-058SS	1/2" MALE THREAD X 5/8" HOSE BARB	300	1
HB050-075SS	1/2" MALE THREAD X 3/4" HOSE BARB	300	10
HB075-050SS	3/4" MALE THREAD X 1/2" HOSE BARB	300	10
HB075SS	3/4" MALE THREAD X 3/4" HOSE BARB	300	10
HB075-100SS	3/4" MALE THREAD X 1" HOSE BARB	300	1
HB100-075SS	1" MALE THREAD X 3/4" HOSE BARB	300	1
HB100SS	1" MALE THREAD X 1" HOSE BARB	300	10
HB125SS	1 1/4" MALE THREAD X 1 1/4" HOSE BARB	300	1
HB150SS	1 1/2" MALE THREAD X 1 1/2" HOSE BARB	300	10
HB200SS	2" MALE THREAD X 2" HOSE BARB	300	1
HB300SS	3" MALE THREAD X 3" HOSE BARB	300	1



HOSE BARB TEES

PART NO	DESCRIPTION	MAX PSI	LOT QTY
HBT038	3/8" HOSE BARB TEE	300	10/BAG
HBT050	1/2" HOSE BARB TEE	300	10/BAG
HBT050-075	1/2" X 1/2" X 3/4" HOSE BARB TEE	300	10/BAG
HBT075-050	3/4" X 3/4" X 1/2" HOSE BARB TEE	300	10/BAG
HBT075	3/4" HOSE BARB TEE	300	10/BAG
HBT075-100	3/4" X 3/4" X 1" HOSE BARB TEE	300	10/BAG
HBT100-075	1" X 1" X 3/4" HOSE BARB TEE	300	10/BAG
HBT100	1" HOSE BARB TEE	300	10/BAG
HBT200	2" HOSE BARB TEE	300	10
HBT300	3" HOSE BARB TEE	300	1



HOSE BARB THREADED TEES

PART NO	DESCRIPTION	MAX PSI	LOT QTY
HBT100-100	1" HOSE BARB X 1" HOSE BARB X 1" MALE THREAD HOSE BARB TEE	300	10/BAG
HBT150-100	1 1/2" HOSE BARB X 1 1/2" HOSE BARB X 1" MALE THREAD HOSE BARB TEE	300	10/BAG
HBT150-150	1 1/2" HOSE BARB X 1 1/2" HOSE BARB X 1 1/2" MALE THREAD HOSE BARB TEE	300	10/BAG



SS HOSE BARB THREADED TEES

PART NO	DESCRIPTION	MAX PSI	QTY
HBT075-050SS	3/4" HOSE BARB X 3/4" HOSE BARB X 1/2" HOSE BARB TEE	N/A	1



HOSE MENDERS

PART NO	DESCRIPTION	MAX PSI	LOT QTY
HM038	3/8" X 3/8" HOSE BARB	300	10/BAG
HM050	1/2" X 1/2" HOSE BARB	300	10/BAG
HM075	3/4" X 3/4" HOSE BARB	300	10/BAG
HM100	1" X 1" HOSE BARB	300	10/BAG
HM125	1 1/4" X 1 1/4" HOSE BARB	300	10/BAG
HM150	1 1/2" X 1 1/2" HOSE BARB	300	10/BAG
HM200	2" X 2" HOSE BARB	300	10/BAG
HM300	3" X 3" HOSE BARB	300	10



SWIVELS

PART NO	DESCRIPTION	MAX PSI	LOT QTY
SW100	1" MALE X 1" FEMALE SWIVEL	300	10
SW150	1 1/2" MALE X 1 1/2" FEMALE SWIVEL	300	1
SW220	2" FULL PORT MALE X 2" FULL PORT FEMALE SWIVEL	150	1



8 STATION MANIFOLD

PART NO	DESCRIPTION	MAX PSI	QTY
TM075/050	8 STATION MANIFOLD 3/4" INLET X 1/2" OUTLET, 1/4" GAUGE PORT	225	1

PIPE FITTINGS

FEATURES

- Glass reinforced polypropylene
- Heavy duty (Schedule 80)
- Lightweight with excellent strength
- NPT threads
- Excellent chemical resistance
- Where noted, parts must be ordered in bag quantities

Recommended procedure for sealing pipe threads:

We DO NOT recommend using pipe tape. Pipe tape enlarges the outside diameter of the male thread and may cause the female thread to split. We recommend using a pipe thread sealant. Use on clean tapered threads. Apply a thick even coat on male threads using brush applicator. For pipe diameters smaller than 1 1/4" apply to male threads only. For 1 1/4" and larger sizes apply to both male and female threads. Avoid applying excessive amounts. Hand tighten joints and then torque another 1/2 to 3/4 turn until threads seal.



PIPE SEALANT

PART NO	DESCRIPTION	LOT QTY
RS21	RECTORSEAL® NO. 21™ (8 OZ W/ BRUSH IN CAP-24/CASE)	1
RSTB	RECTORSEAL® TRU-BLU™ (8 OZ W/ BRUSH IN CAP-24/CASE)	24

PIPE SEALANT

FEATURES

- RectorSeal® No. 21™ is slow drying, soft set multi-purpose sealant designed for use where black is preferred. 8 oz can with brush in the cap. Conforms to TT-S-1732.
- RectorSeal® Tru-Blu™ is fast drying, flexible set designed for high vibration environments. Teflon™ has been added to enhance thread lubrication during assembly and break out. Conforms to TT-S-1732.

*DuPont Registered Trademark

LINE STRAINERS

MINI T STRAINERS

FEATURES

- Heavy duty glass reinforced polypropylene
- Clear bowl made of polycarbonate
- Black bowl made of polypropylene
- Polypropylene ribbed 316 stainless steel screens
- EPDM gaskets
- Convenient color coded screens for easy mesh size identification (Refer to chart on next page)



MINI T STRAINERS W/CLEAR BOWLS

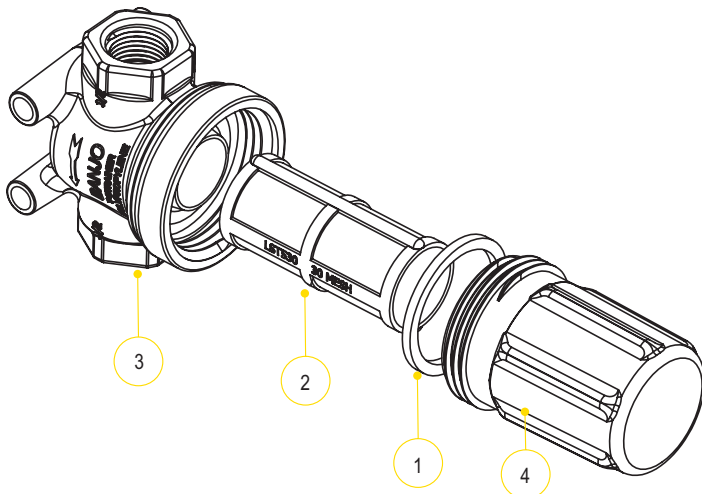
PART NO	DESCRIPTION	MAX PSI	QTY
LSTM050-30C	1/2" X 1/2" CLEAR BOWL STRAINER W/30 MESH SCREEN	100	1
LSTM050-50C	1/2" X 1/2" CLEAR BOWL STRAINER W/50 MESH SCREEN	100	1
LSTM050-80C	1/2" X 1/2" CLEAR BOWL STRAINER W/80 MESH SCREEN	100	1
LSTM075-30C	3/4" X 3/4" CLEAR BOWL STRAINER W/30 MESH SCREEN	100	1
LSTM075-50C	3/4" X 3/4" CLEAR BOWL STRAINER W/50 MESH SCREEN	100	1
LSTM075-80C	3/4" X 3/4" CLEAR BOWL STRAINER W/80 MESH SCREEN	100	1



MINI T STRAINERS W/BLACK BOWLS

PART NO	DESCRIPTION	MAX PSI	QTY
LSTM050-30	1/2" X 1/2" BLACK BOWL STRAINER W/30 MESH SCREEN	200	1
LSTM050-50	1/2" X 1/2" BLACK BOWL STRAINER W/50 MESH SCREEN	200	1
LSTM050-80	1/2" X 1/2" BLACK BOWL STRAINER W/80 MESH SCREEN	200	1
LSTM075-30	3/4" X 3/4" BLACK BOWL STRAINER W/30 MESH SCREEN	200	1
LSTM075-50	3/4" X 3/4" BLACK BOWL STRAINER W/50 MESH SCREEN	200	1
LSTM075-80	3/4" X 3/4" BLACK BOWL STRAINER W/80 MESH SCREEN	200	1

MINI T STRAINERS



SCREENS

MESH SIZE	RIB COLOR
30 MESH	FLAME RED
50 MESH	GENTIAN BLUE
80 MESH	ZINC YELLOW
100 MESH	TRAFFIC GREEN

REPLACEMENT PARTS

ITEM	PART NO	DESCRIPTION	QTY
1	LSTM050G	EPDM GASKET	1
2	LST530	30 MESH SCREEN	1
2	LST550	50 MESH SCREEN	1
2	LST580	80 MESH SCREEN	1
2	LST5100	100 MESH SCREEN	1
3	LSTM050H	1/2" STRAINER HEAD	1
3	LSTM075H	3/4" STRAINER HEAD	1
4	LSTM050BC	CLEAR BOWL	1
4	LSTM050B	BLACK BOWL	1

STANDARD MESHES & DATA

	30 MESH	50 MESH	80 MESH	100 MESH
MICRONS	595	297	177	149
WIRE DIAMETER	.012	.009	.0055	.0045
OPENING	.021	.011	.007	.005
% OPEN AREA	40.8	30.3	31.4	30.3

LINE STRAINERS

¾"-1½" T STRAINERS

FEATURES

- Heavy duty glass reinforced polypropylene
- Clean out plug
- Polypropylene ribbed 316 stainless steel screens
- EPDM gaskets standard, FKM available
- Convenient color coded screens for easy mesh size identification (Refer to chart on next page)



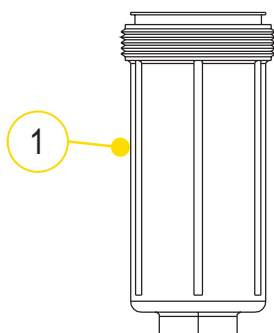
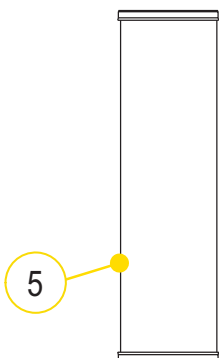
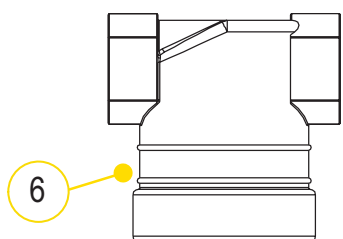
¾"-1" T STRAINERS

PART NO	DESCRIPTION	MAX PSI	QTY
LST075-16	¾" X ¾" FP T STRAINER W/16 MESH SS SCREEN	300	1
LST075-30	¾" X ¾" FP T STRAINER W/30 MESH SS SCREEN	300	1
LST075-50	¾" X ¾" FP T STRAINER W/50 MESH SS SCREEN	300	1
LST075-80	¾" X ¾" FP T STRAINER W/80 MESH SS SCREEN	300	1
LST075-100	¾" X ¾" FP T STRAINER W/100 MESH SS SCREEN	300	1
LST100-16	1" X 1" T STRAINER W/16 MESH SS SCREEN	300	1
LST100-30	1" X 1" T STRAINER W/30 MESH SS SCREEN	300	1
LST100-50	1" X 1" T STRAINER W/50 MESH SS SCREEN	300	1
LST100-80	1" X 1" T STRAINER W/80 MESH SS SCREEN	300	1
LST100-100	1" X 1" T STRAINER W/100 MESH SS SCREEN	300	1

1¼"-1½" T STRAINERS

PART NO	DESCRIPTION	MAX PSI	QTY
LST125-16	1¼" X 1¼" FP T STRAINER W/16 MESH SS SCREEN	300	1
LST125-30	1¼" X 1¼" FP T STRAINER W/30 MESH SS SCREEN	300	1
LST125-50	1¼" X 1¼" FP T STRAINER W/50 MESH SS SCREEN	300	1
LST125-80	1¼" X 1¼" FP T STRAINER W/80 MESH SS SCREEN	300	1
LST150-30	1½" X 1½" T STRAINER W/30 MESH SS SCREEN	300	1
LST150-50	1½" X 1½" T STRAINER W/50 MESH SS SCREEN	300	1
LST150-80	1½" X 1½" T STRAINER W/80 MESH SS SCREEN	300	1
LST150-100	1½" X 1½" T STRAINER W/100 MESH SS SCREEN	300	1

3/4" - 1 1/2" T STRAINERS



REPLACEMENT PARTS

ITEM	PART NO	DESCRIPTION	QTY
1	LST100-B	3/4" & 1" BOWL (CONTAINS #1, #3, #4)	1
2	LST100-G	3/4" & 1" EPDM GASKET	1
2	LST100-GV	3/4" & 1" FKM GASKET	1
3	12777	1/2" PLUG	1
4	UV15163	EPDM O-RING FOR CLEAN OUT PLUG	1
5	LST116	16 MESH SCREEN	1
5	LST130	30 MESH SCREEN	1
5	LST150	50 MESH SCREEN	1
5	LST180	80 MESH SCREEN	1
5	LST1100	100 MESH SCREEN	1
6	LST075-H	3/4" STRAINER HEAD	1
6	LST100-H	1" STRAINER HEAD	1
N/S	LST075-HB	3/4" STRAINER HEAD, BOWL & GASKET	1
N/S	LST100-HB	1" STRAINER HEAD, BOWL & GASKET	1

REPLACEMENT PARTS

ITEM	PART NO	DESCRIPTION	QTY
1	LST150-B	1 1/4" & 1 1/2" BOWL (CONTAINS #1, #3, #4)	1
2	LST150-G	1 1/4" & 1 1/2" EPDM GASKET	1
2	LST150-GV	1 1/4" & 1 1/2" FKM GASKET	1
3	LSQ200-PL	1" CLEAN OUT PLUG	1
4	LSQ200-R	EPDM O-RING FOR CLEAN OUT PLUG	1
5	LST1516	16 MESH SCREEN	1
5	LST1530	30 MESH SCREEN	1
5	LST1550	50 MESH SCREEN	1
5	LST1580	80 MESH SCREEN	1
5	LST15100	100 MESH SCREEN	1
6	N/A	1 1/4" STRAINER HEAD	1
N/S	LST125-HB	1 1/4" STRAINER HEAD, BOWL & GASKET	1
N/S	LST150-HB	1 1/2" STRAINER HEAD, BOWL & GASKET	1

STANDARD MESHES & DATA

	16 MESH	30 MESH	50 MESH	80 MESH	100 MESH
MICRONS	1190	595	297	177	149
WIRE DIAMETER	.018	.012	.009	.0055	.0045
OPENING	.044	.021	.011	.007	.005
% OPEN AREA	50.7	40.8	30.3	31.4	30.3

SCREENS

MESH SIZE	RIB COLOR
16 MESH	BROWN RED
30 MESH	FLAME RED
50 MESH	GENTIAN BLUE
80 MESH	ZINC YELLOW
100 MESH	TRAFFIC GREEN

LINE STRAINERS

2" T STRAINERS POLY/STAINLESS COMBO

FEATURES

- Heavy duty glass reinforced polypropylene bowl
- 316 stainless steel head
- Clean out plug
- 316 stainless steel screens
- FKM gaskets



2" T STRAINERS POLY/SS COMBO

PART NO	DESCRIPTION	MAX PSI	QTY
LST200-10SS	2" X 2" T STRAINER (SS HEAD & POLY BODY) W/10 MESH SCREEN	300	1
LST200-50SS	2" X 2" T STRAINER (SS HEAD & POLY BODY) W/50 MESH SCREEN	300	1

LSQ STRAINERS

FEATURES

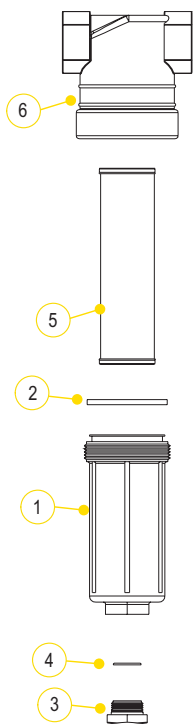
- Precision molded in glass reinforced polypropylene
- Cam lever configuration for easy access for cleaning and servicing
- 3/4" plug in cam lever cap for attaching ball valve for draining or back flushing
- Poly ribbed 316 stainless steel screen
- EPDM lathe cut gasket
- For faster shipping, order in box quantities
- Convenient color coded screens for easy mesh size identification (Refer to chart on next page)



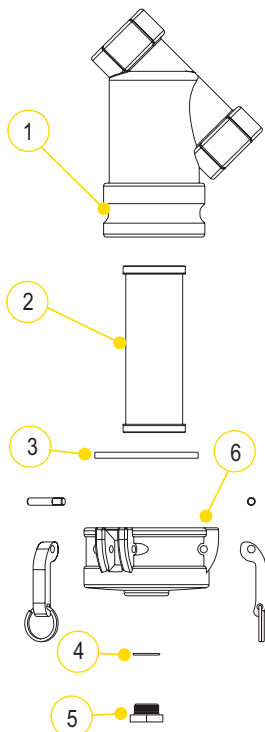
2" LSQ STRAINERS

PART NO	DESCRIPTION	MAX PSI	LOT QTY
LSQ200-06	2" X 2" LSQ STRAINER W/6 MESH SCREEN	100	6/BOX
LSQ200-20	2" X 2" LSQ STRAINER W/20 MESH SCREEN	100	6/BOX
LSQ200-30	2" X 2" LSQ STRAINER W/30 MESH SCREEN	100	6/BOX
LSQ200-50	2" X 2" LSQ STRAINER W/50 MESH SCREEN	100	6/BOX
LSQ200-80	2" X 2" LSQ STRAINER W/80 MESH SCREEN	100	6/BOX

2" T STRAINERS POLY/STAINLESS COMBO



REPLACEMENT PARTS			
ITEM	PART NO	DESCRIPTION	QTY
1	LST200-B	2" POLY BOWL (CONTAINS #1, #3, #4)	1
2	LST200-GV	2" FKM GASKET	1
3	LSQ200-PL	1" CLEAN OUT PLUG	1
4	LSQ200-RV	FKM O-RING FOR CLEAN OUT PLUG	1
5	LST204SS	4 MESH SS SCREEN	1
5	LST206SS	6 MESH SS SCREEN	1
5	LST208SS	8 MESH SS SCREEN	1
5	LST210SS	10 MESH SS SCREEN	1
5	LST216SS	16 MESH SS SCREEN	1
5	LST230SS	30 MESH SS SCREEN	1
5	LST250SS	50 MESH SS SCREEN	1
5	LST280SS	80 MESH SS SCREEN	1
6	LST200-HSS	2" SS HEAD	1



REPLACEMENT PARTS			
ITEM	PART NO	DESCRIPTION	QTY
1	N/A	2" LSQ BODY	1
2	LS206	6 MESH SCREEN	1
2	LS212	12 MESH SCREEN	1
2	LS220	20 MESH SCREEN	1
2	LS230	30 MESH SCREEN	1
2	LS250	50 MESH SCREEN	1
2	LS280	80 MESH SCREEN	1
2	LS2120	120 MESH SCREEN	1
3	LSQ200-G	2" EPDM GASKET	1
4	LSQ200R1	O-RING	1
5	N/A	3/4" CLEAN OUT PLUG	1
6	LSQ200-C	2" CAP (CONTAINS #3-6)	1
N/S	LSQ200-B/C	2" BODY/CAP (CONTAINS #1, 3-6)	1

LSQ STRAINERS

SCREENS

MESH SIZE	RIB COLOR
6 MESH	WHITE
12 MESH	BLACK
20 MESH	BEIGE
30 MESH	FLAME RED
50 MESH	GENTIAN BLUE
80 MESH	ZINC YELLOW
120 MESH	BLACK

STANDARD MESHES & DATA

	6 MESH	8 MESH	10 MESH	12 MESH	16 MESH	20 MESH	30 MESH	50 MESH	80 MESH	100 MESH	120 MESH
MICRONS	3360	2380	2000	1680	1190	841	595	297	177	149	116
WIRE DIAMETER	.035	.028	.025	.023	.018	.016	.012	.009	.0055	.0045	.0037
OPENING	.132	.097	.075	.060	.044	.034	.021	.011	.007	.005	.0046
% OPEN AREA	62.7	60.2	56.3	51.8	50.7	46.2	40.8	30.3	31.4	30.3	30.5

LINE STRAINERS

1/2"-1 1/4" Y STRAINERS

FEATURES

- Heavy duty glass reinforced polypropylene
- Corrosion resistant
- Easy grip end cap
- Heavy duty end cap threads
- Clean out plug
- Polypropylene ribbed 316 stainless steel screens
- EPDM gaskets
- Convenient color coded screens for easy mesh size identification (Refer to chart on next page)



1/2"-3/4" Y STRAINERS

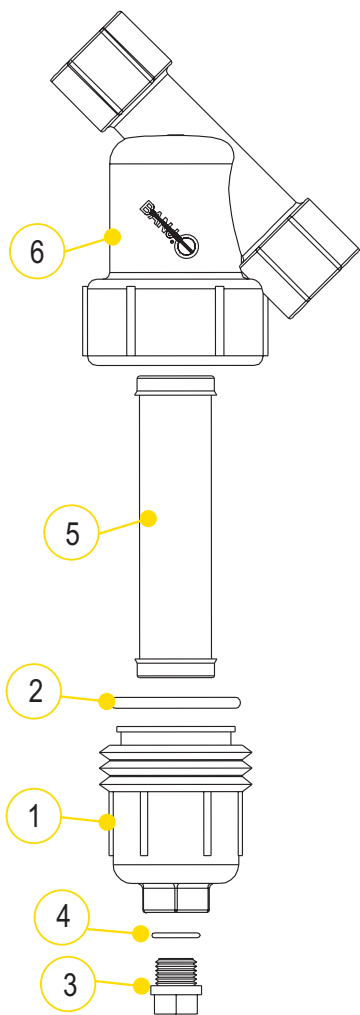
PART NO	DESCRIPTION	MAX PSI	QTY
LS050-20	1/2" X 1/2" FP Y STRAINER W/20 MESH SS SCREEN	225	1
LS050-40	1/2" X 1/2" FP Y STRAINER W/40 MESH SS SCREEN	225	1
LS050-80	1/2" X 1/2" FP Y STRAINER W/80 MESH SS SCREEN	225	1
LS075-20	3/4" X 3/4" Y STRAINER W/20 MESH SS SCREEN	225	1
LS075-40	3/4" X 3/4" Y STRAINER W/40 MESH SS SCREEN	225	1
LS075-80	3/4" X 3/4" Y STRAINER W/80 MESH SS SCREEN	225	1



1"-1 1/4" Y STRAINERS

PART NO	DESCRIPTION	MAX PSI	QTY
LS100-20	1" X 1" Y STRAINER W/20 MESH SS SCREEN	200	1
LS100-40	1" X 1" Y STRAINER W/40 MESH SS SCREEN	200	1
LS100-80	1" X 1" Y STRAINER W/80 MESH SS SCREEN	200	1
LS125-20	1 1/4" X 1 1/4" Y STRAINER W/20 MESH SS SCREEN	200	1
LS125-40	1 1/4" X 1 1/4" Y STRAINER W/40 MESH SS SCREEN	200	1
LS125-80	1 1/4" X 1 1/4" Y STRAINER W/80 MESH SS SCREEN	200	1

1/2"-1 1/4" Y STRAINERS



REPLACEMENT PARTS

ITEM	PART NO	DESCRIPTION	QTY
1	N/A	1/2"-3/4" END CAP (CONTAINS #1, #3, #4)	1
2	LS075-G	1/2"-3/4" O-RING	1
3	12723	1/4" DRAIN PLUG (FITS 1/2"-3/4")	1
4	12724	1/2"-3/4" EPDM O-RING FOR DRAIN PLUG	1
5	LS720	1/2"-3/4" 20 MESH SCREEN	1
5	LS740	1/2"-3/4" 40 MESH SCREEN	1
5	LS780	1/2"-3/4" 80 MESH SCREEN	1
6	N/A	3/4" Y BODY	1
N/S	LS050B/C1	1/2" Y BODY, CAP & GASKET	1
N/S	LS075B/C1	3/4" Y BODY, CAP & GASKET	1

SCREENS

MESH SIZE	RIB COLOR
6 MESH	WHITE
12 MESH	BLACK
20 MESH	BEIGE
30 MESH	FLAME RED
40 MESH	BROWN
50 MESH	GENTIAN BLUE
60 MESH	GENTIAN BLUE
80 MESH	ZINC YELLOW
100 MESH	TRAFFIC GREEN
120 MESH	BLACK

REPLACEMENT PARTS

ITEM	PART NO	DESCRIPTION	QTY
1	LS100-C1	1"-1 1/4" END CAP (CONTAINS #1, #3, #4)	1
2	LS100-G	1"-1 1/4" O-RING	1
2	LS100-GV	1"-1 1/4" FKM GASKET	1
3	12777	1/2" PLUG (FITS 1"-1 1/4")	1
4	UV15163	EPDM O-RING FOR DRAIN PLUG	1
4	UV15163V	FKM O-RING FOR DRAIN PLUG	1
5	LS120	1"-1 1/4" 20 MESH SCREEN	1
5	LS140	1"-1 1/4" 40 MESH SCREEN	1
5	LS180	1"-1 1/4" 80 MESH SCREEN	1
6	N/A	1" Y BODY	1
6	N/A	1 1/4" Y BODY	1
N/S	LS100B/C1	1" Y BODY, CAP & GASKET	1
N/S	LS125B/C1	1 1/4" Y BODY, CAP & GASKET	1

STANDARD MESHES & DATA

	6 MESH	8 MESH	10 MESH	12 MESH	16 MESH	20 MESH	30 MESH	50 MESH	80 MESH	100 MESH	120 MESH
MICRONS	3360	2380	2000	1680	1190	841	595	297	177	149	116
WIRE DIAMETER	.035	.028	.025	.023	.018	.016	.012	.009	.0055	.0045	.0037
OPENING	.132	.097	.075	.060	.044	.034	.021	.011	.007	.005	.0046
% OPEN AREA	62.7	60.2	56.3	51.8	50.7	46.2	40.8	30.3	31.4	30.3	30.5

LINE STRAINERS

1½"-2" Y STRAINERS

FEATURES

- Heavy duty glass reinforced polypropylene
- Corrosion resistant
- Easy grip end cap
- Heavy duty end cap threads
- Clean out plug
- Polypropylene ribbed 316 stainless steel screens
- EPDM gaskets
- Convenient color coded screens for easy mesh size identification (Refer to chart on next page)



1½" Y STRAINERS

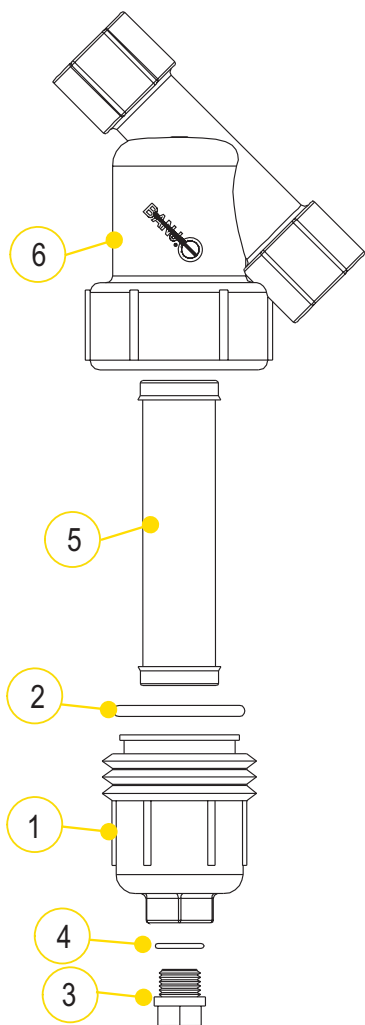
PART NO	DESCRIPTION	MAX PSI	QTY
LS150-06	1½" X 1½" Y STRAINER W/6 MESH SS SCREEN	150	1
LS150-12	1½" X 1½" Y STRAINER W/12 MESH SS SCREEN	150	1
LS150-20	1½" X 1½" Y STRAINER W/20 MESH SS SCREEN	150	1
LS150-30	1½" X 1½" Y STRAINER W/30 MESH SS SCREEN	150	1
LS150-50	1½" X 1½" Y STRAINER W/50 MESH SS SCREEN	150	1
LS150-80	1½" X 1½" Y STRAINER W/80 MESH SS SCREEN	150	1
LS150-120	1½" X 1½" Y STRAINER W/120 MESH SS SCREEN	150	1



2" Y STRAINERS

PART NO	DESCRIPTION	MAX PSI	LOT QTY
LS200-06	2" X 2" Y STRAINER W/6 MESH POLY RIBBED SS SCREEN	150	1
LS200-12	2" X 2" Y STRAINER W/12 MESH POLY RIBBED SS SCREEN	150	1
LS200-20	2" X 2" Y STRAINER W/20 MESH POLY RIBBED SS SCREEN	150	1
LS200-30	2" X 2" Y STRAINER W/30 MESH POLY RIBBED SS SCREEN	150	1
LS200-50	2" X 2" Y STRAINER W/50 MESH POLY RIBBED SS SCREEN	150	5
LS200-80	2" X 2" Y STRAINER W/80 MESH POLY RIBBED SS SCREEN	150	1
LS200-100	2" X 2" Y STRAINER W/100 MESH POLY RIBBED SS SCREEN	150	1
LS200-120	2" X 2" Y STRAINER W/120 MESH POLY RIBBED SS SCREEN	150	1

1½"-2" Y STRAINERS



REPLACEMENT PARTS

ITEM	PART NO	DESCRIPTION	QTY
1	LS150-C	1½" - 2" END CAP (CONTAINS #1, #3, #4)	1
2	LS150-G	1½"-2" O-RING	1
2	LS150-GV	1½"-2" FKM GASKET	1
3	LSQ200-PL	1" DRAIN PLUG (FITS 1½" - 2")	1
4	LSQ200-RV	1½"-2" FKM O-RING FOR DRAIN PLUG	1
5	LS206	1½"-2" 6 MESH SCREEN	1
5	LS212	1½"-2" 12 MESH SCREEN	1
5	LS220	1½"-2" 20 MESH SCREEN	1
5	LS230	1½"-2" 30 MESH SCREEN	1
5	LS250	1½"-2" 50 MESH SCREEN	1
5	LS280	1½"-2" 80 MESH SCREEN	1
5	LS2100	1½"-2" 100 MESH SCREEN	1
5	LS2120	1½"-2" 120 MESH SCREEN	1
5	LS250P	1½"-2" 50 MESH ALL POLY SCREEN	1
6	N/A	1½" Y BODY	1
6	N/A	2" Y BODY	1
N/S	LS150B/C	1½" Y BODY, CAP & GASKET	1
N/S	LS200B/C	2" Y BODY, CAP & GASKET	1

SCREENS

MESH SIZE	RIB COLOR
6 MESH	WHITE
12 MESH	BLACK
20 MESH	BEIGE
30 MESH	FLAME RED
40 MESH	BROWN
50 MESH	GENTIAN BLUE
80 MESH	ZINC YELLOW
100 MESH	TRAFFIC GREEN
120 MESH	BLACK

STANDARD MESHERS & DATA

	6 MESH	8 MESH	12 MESH	20 MESH	30 MESH	50 MESH	80 MESH	100 MESH	120 MESH
MICRONS	3360	2380	1680	841	595	297	177	149	116
WIRE DIAMETER	.035	.028	.023	.016	.012	.009	.0055	.0045	.0037
OPENING	.132	.097	.060	.034	.021	.011	.007	.005	.0046
% OPEN AREA	62.7	60.2	51.8	46.2	40.8	30.3	31.4	30.3	30.5

LINE STRAINERS

3" Y STRAINERS

FEATURES

- Heavy duty glass reinforced polypropylene
- Corrosion resistant
- High volume
- Heavy duty end cap threads
- ½" clean out plug
- 304 stainless steel screens
- EPDM gaskets
- Warning: to be used on suction side or non-pressure side in all applications



3" Y STRAINERS

PART NO	DESCRIPTION	MAX PSI	LOT QTY
LSM300-04	3" X 3" Y STRAINER W/4 MESH SCREEN	75	2/BOX
LSM300-08	3" X 3" Y STRAINER W/8 MESH SCREEN	75	2/BOX
LSM300-12	3" X 3" Y STRAINER W/12 MESH SCREEN	75	2/BOX
LSM300-20	3" X 3" Y STRAINER W/20 MESH SCREEN	75	2/BOX
LSM300-50	3" X 3" Y STRAINER W/50 MESH SCREEN	75	2/BOX

3" Y STAINLESS STEEL STRAINERS

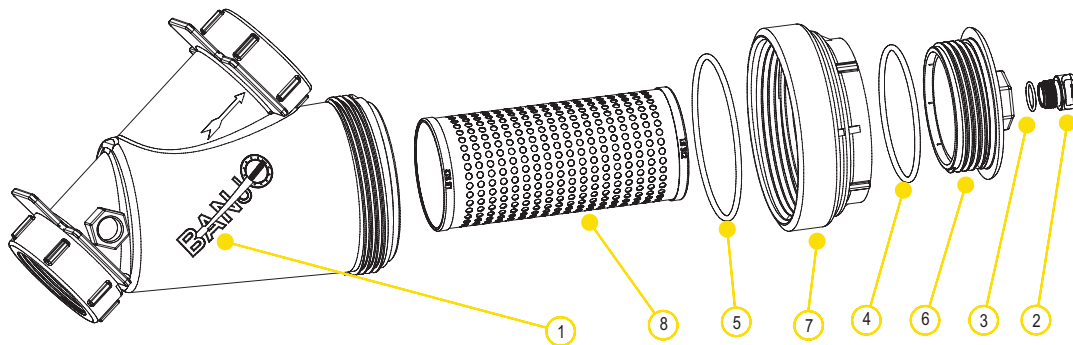
FEATURES

- Heavy duty stainless steel
- Corrosion resistant
- High volume
- Heavy duty end cap threads
- ½" clean out plug
- 304 stainless steel screens
- EPDM gaskets standard, FKM available
- Maximum operating pressure 225 psi
- Warning: to be used on suction side or non-pressure side in all applications



3" Y STRAINERS

PART NO	DESCRIPTION	QTY
LSS300-BC	3" SS BODY, CAP & GASKETS	1
LSS300-S	EPDM SCREEN SEAL	1
LSS300-SV	FKM SCREEN SEAL	1
LSS300-G	EPDM CAP GASKET	1
LSS300-GV	FKM CAP GASKET	1

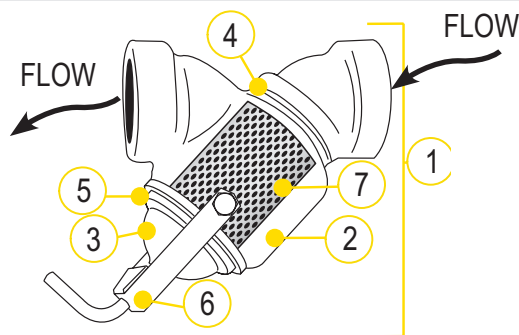


3" Y STRAINERS

- 304 stainless steel screens

REPLACEMENT PARTS

ITEM	PART NO	DESCRIPTION	QTY
1	MLS300B1	3" BODY	1
2	13777	3/4" PLUG	1
3	13778	O-RING	1
4	MLS300ECG	EPDM END CAP GASKET	1
4	MLS300ECGV	FKM CAP GASKET	1
5	MLS300G	EPDM CAP GASKET	1
6	LS300EC	END CAP ONLY (PLUG SOLD SEPARATELY)	1
7	MLS300CAP	3" CAP	1
8	LS304	4 MESH SCREEN	1
8	LS308	8 MESH SCREEN	1
8	LS312	12 MESH SCREEN	1
8	LS320	20 MESH SCREEN	1
8	LS350	50 MESH SCREEN	1



3" Y STAINLESS STEEL STRAINERS

- 304 stainless steel screens

REPLACEMENT PARTS

ITEM	PART NO	DESCRIPTION	QTY
1	LSS300-BC	3" SS BODY, CAP & GASKETS	1
2	N/A	3" SS BODY	1
3	N/A	3" SS CAP	1
4	LSS300-S	EPDM SCREEN SEAL	1
4	LSS300-SV	FKM SCREEN SEAL	1
5	LSS300-G	EPDM CAP GASKET	1
5	LSS300-GV	FKM CAP GASKET	1
6	LSS300-H	HANDLE/CLAMP ASSEMBLY	1
7	LSS306	6 MESH SS SCREEN	1
7	LSS308	8 MESH SS SCREEN	1
7	LSS312	12 MESH SS SCREEN	1
7	LSS320	20 MESH SS SCREEN	1
7	LSS330	30 MESH SS SCREEN	1
7	LSS350	50 MESH SS SCREEN	1

CENTRIFUGAL PUMPS

PUMP ACCESSORIES
PAGES 95

ROLL CAGES
SUCTION BASKET STRAINERS
BASE PLATES

2" POLY PUMPS
PAGES 96 - 109

GAS ENGINE PUMPS
PUMP ONLY/ BEARING PEDESTAL
WET SEAL WITH GAS ENGINE
ELECTRIC MOTOR DRIVEN
HYDRAULIC MOTOR DRIVEN
MANIFOLD

3" POLY PUMPS
PAGES 110- 119

GAS ENGINE PUMPS
PUMP ONLY/ BEARING PEDESTAL
MANIFOLD
HYDRAULIC MOTOR DRIVEN
WET SEAL WITH GAS ENGINE

1½" & 2" CAST IRON PUMPS
PAGES 120 - 127

GAS ENGINE PUMPS
PUMP ONLY/ BEARING PEDESTAL
WET SEALS
ELECTRIC MOTOR DRIVEN
HYDRAULIC MOTOR DRIVEN

**2" CAST IRON 222
SERIES PUMPS**
PAGES 128- 131

GAS ENGINE PUMPS
PUMP ONLY/ BEARING PEDESTAL
HYDRAULIC MOTOR DRIVEN
ELECTRIC MOTOR DRIVEN
MANIFOLD WET SEAL

3" CAST IRON PUMPS
PAGES 132 - 137

GAS ENGINE PUMPS
PUMP ONLY/ BEARING PEDESTAL
WET SEALS
HYDRAULIC MOTOR DRIVEN

**3" CAST IRON 333
SERIES PUMPS**
PAGES 138 - 139

GAS ENGINE PUMPS
PUMP ONLY/ BEARING PEDESTAL
ELECTRIC MOTOR DRIVEN

**3" CAST IRON MANIFOLD WET
SEAL M332 SERIES PUMPS**
PAGES 140 - 143

GAS ENGINE PUMPS
PUMP ONLY/ BEARING PEDESTAL
ELECTRIC MOTOR DRIVEN
HYDRAULIC MOTOR DRIVEN

**4" CAST IRON 444
SERIES PUMPS**
PAGES 144 - 145

GAS ENGINE PUMPS
PUMP ONLY

**2" & 3" STAINLESS STEEL
PUMPS**
PAGES 146- 153

GAS ENGINE PUMPS
PUMP ONLY/ BEARING PEDESTAL
ELECTRIC MOTOR DRIVEN
HYDRAULIC MOTOR DRIVEN

SUCTION BASKET STRAINERS



SUCTION BASKET STRAINERS

PART NO	DESCRIPTION	QTY
200SBS	2" FEMALE THREAD POLY BASKET	1
300SBS	3" FEMALE THREAD POLY BASKET	1

FEATURES

- Made of polyethylene
- Prevents plugging and damage to pump while suctioning from streams or ponds.

BASE PLATE ASSEMBLY



BASE PLATE ASSEMBLY

PART NO	DESCRIPTION	QTY
18700	BASE PLATE ASSEMBLY INCLUDES PLATE, COUPLING GUARD, BOLT BAG AND SHIMS	1

FEATURES

- Universal fit for 1½", 2" and 3" polypropylene or cast iron pumps

CENTRIFUGAL PUMPS

2" POLY PUMPS

FEATURES

- Precision molded construction
- Lightweight
- Corrosion resistant
- Superior design
- Low maintenance
- EPDM standard, FKM available
- Engine warranty service available at authorized Briggs & Stratton® and Honda® dealers



2" POLY PUMPS W/GAS ENGINES

PART NO	DESCRIPTION	HP	QTY
200PH-5	2" POLY PUMP W/5.5 HP HONDA® ENGINE	5.5	1
200PH-5E	2" POLY PUMP W/5.5 HP HONDA® ENGINE W/ ELECTRIC START	5.5	1
200PH-5V	2" POLY PUMP W/5.5 HP HONDA® ENGINE W/FKM & 316 SS SEAL	5.5	1
200PH6	2" POLY PUMP W/6.5 HP HONDA® ENGINE	6.5	1
200P6PRO	2" POLY PUMP W/6.5 HP BRIGGS & STRATTON® ENGINE PRO SERIES	6.5	1
200P6PROE	2" POLY PUMP W/6.5 HP BRIGGS & STRATTON® ENGINE PRO SERIES W/ELECTRIC START	6.5	1
200P6PROV	2" POLY PUMP W/6.5 HP BRIGGS & STRATTON® ENGINE PRO SERIES W/FKM & 316 SS SEAL	6.5	1



WARNING! DO NOT RUN PUMP DRY, RESTRICT OR REDUCE PORT SIZES OR DEAD HEAD PUMP



WARNING! DO NOT USE WITH FLAMMABLE LIQUIDS



2" POLY PUMP BEARING PEDESTALS

PART NO	DESCRIPTION	HP	QTY
200PB	2" POLY BEARING PEDESTAL W/ 3/4" SHAFT & 3 VANE IMPELLER	N/A	1
205PB	2" POLY BEARING PEDESTAL W/ 3/4" SHAFT & 5 VANE IMPELLER	N/A	1
205PB-V	2" POLY BEARING PEDESTAL W/ 3/4" SHAFT & 5 VANE IMPELLER W/FKM & 316 SS SEAL	N/A	1



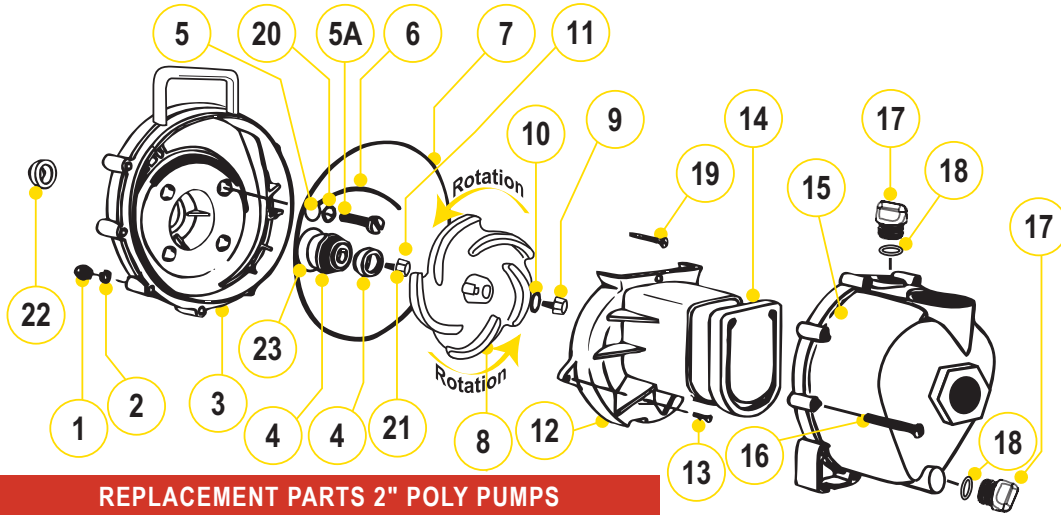
2" POLY PUMP ONLYS

PART NO	DESCRIPTION	HP	QTY
200PO	2" POLY PUMP ONLY* W/ 3 & 5 VANE IMPELLER	N/A	1
200PO-V	2" POLY PUMP ONLY* W/ 3 & 5 VANE IMPELLER W/FKM & 316 SS SEAL	N/A	1

Note: Requires 3/4" shaft on motor

CENTRIFUGAL PUMPS

2" POLY PUMPS

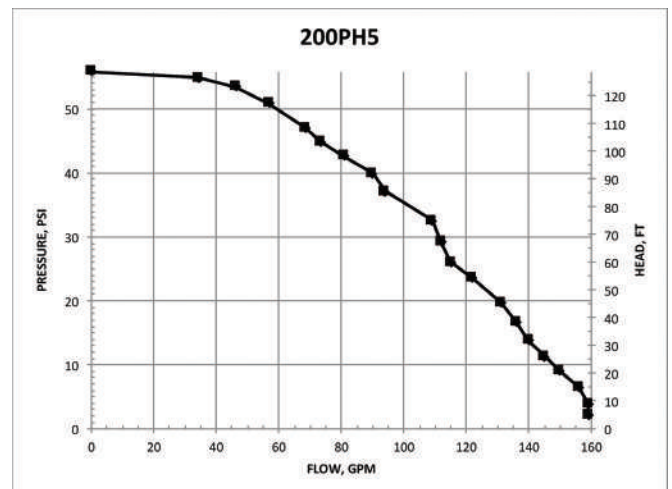
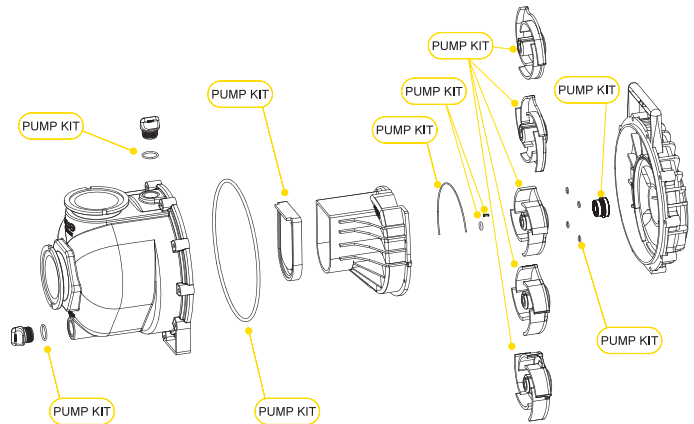


REPLACEMENT PARTS 2" POLY PUMPS

ITEM	PART NO	DESCRIPTION	QTY
1	V07019	SS BODY NUTS	10
2	V07018	SS LOCK WASHERS	10
3	12703A	POLY PUMP REAR BRACKET	1
4	12713	SEAL ASSEMBLY	1
4	12713V	FKM SEAL ASSEMBLY	1
5	12717	O-RING FOR SCREW HEAD	4
5	12717V	FKM O-RING FOR SCREW HEAD	4
5A	12715A	SS BRACKET SCREWS	4
6	12754	O-RING SEGMENT	1
6	12754V	FKM O-RING SEGMENT	1
7	12719A	BODY O-RING	1
7	12719AV	FKM BODY O-RING	1
8	12772	5 VANE IMPELLER	1
8	12771A	3 VANE IMPELLER	1
9	12765A	SS IMPELLER BOLT	1
10	A204	O-RING	1
10	A204V	FKM O-RING	1
11	12775A	IMPELLER HEX NUT	1
12	12702A	POLY PUMP VOLUTE	1
13	12725	SS VOLUTE SCREWS	1
14	12705	POLY PUMP CHECK VALVE	1
14	12705V	FKM CHECK VALVE	1
15	12712A	BODY ASSEMBLY	1
16	12720	SS BODY SCREWS	10
17	12777	1/2" PLUG	2
18	UV15163	PRIME/DRAIN PLUG O-RING	2
18	UV15163V	FKM PRIME/DRAIN PLUG O-RING	2
19	12900	SS UPPER VOLUTE SCREW	1
20	12901	SS REAR BRACKET WASHER	4
21	12902A	IMPELLER KEY	1
22	12716	POLY PUMP SLINGER	1
23	12710	O-RING FOR SEAL ASSEMBLY	1
23	12710V	FKM O-RING FOR SEAL ASSEMBLY	1
N/S	12882A	BEARING PEDESTAL	1
N/S	12099	7/16"-14 X 1.25" HHCS	1
KIT	12000A	POLY PUMP EPDM REPAIR KIT (ITEMS 4-8, 10, 14, 18, 21-23 & 12099)	1
KIT	12000AV	POLY PUMP FKM REPAIR KIT (ITEMS 4-8, 10, 14, 18, 21-23 & 12099)	1
KIT	12999A	PUMP SEAL/O-RING KIT (ITEMS 5-7, 10, 18, 22, 23 & 12099)	1
KIT	12999AV	FKM PUMP SEAL/O-RING KIT (ITEMS 5-7, 10, 18, 22, 23 & 12099)	1

KITS 2" POLY PUMPS

PART NO	REPAIR KIT NO	SEAL KIT NO
200PH-5	12000A	12999A
200PH-5E	12000A	12999A
200PH-5V	12000AV	12999AV
200PH6	12000A	12999A
200P6PRO	12000A	12999A
200P6PROE	12000A	12999A
200P6PROV	12000AV	12999AV
200PB	12003A	12999A
205PB	12000A	12999A
205PB-V	12000AV	12999AV
200PO	12003A	12999A
200PO-V	12003AV	12999AV



CENTRIFUGAL PUMPS

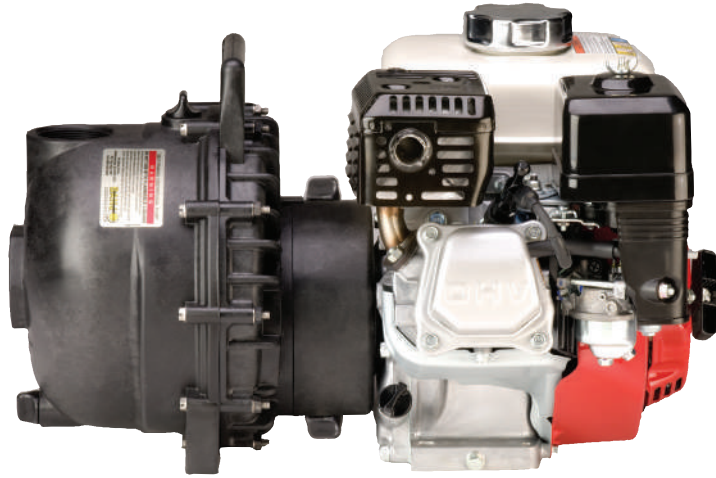
2" POLY WET SEAL PUMPS

FEATURES

- Run dry capability
- Double seal contained in ethylene glycol reservoir. Carbon ceramic seal faces with stainless steel cup and spring with EPDM rubber.
- Pump end separated from engine
- V-shaped for quicker priming
- Engine warranty service available at authorized Briggs & Stratton® and Honda® dealers



WARNING! DO NOT USE WITH FLAMMABLE LIQUIDS



2" POLY WET SEAL PUMPS W/GAS ENGINES

PART NO	DESCRIPTION	HP	QTY
200PH5W	2" POLY WET SEAL PUMP W/5.5 HP HONDA® ENGINE	5.5	1

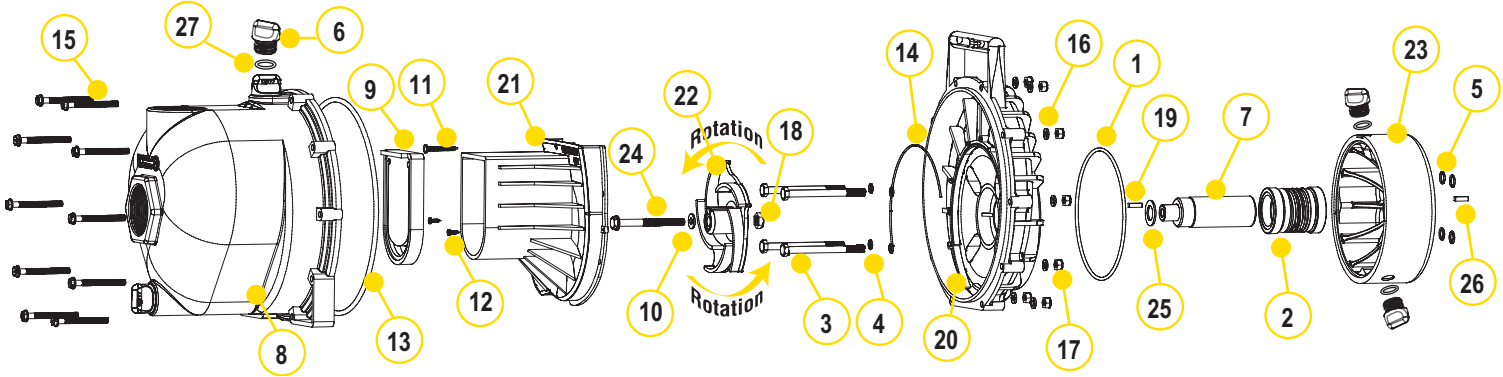


2" POLY WET SEAL PUMP ONLY

PART NO	DESCRIPTION	HP	QTY
205POW	2" POLY WET SEAL PUMP ONLY, 5 VANE IMPELLER WITH EPDM SEALS	N/A	1

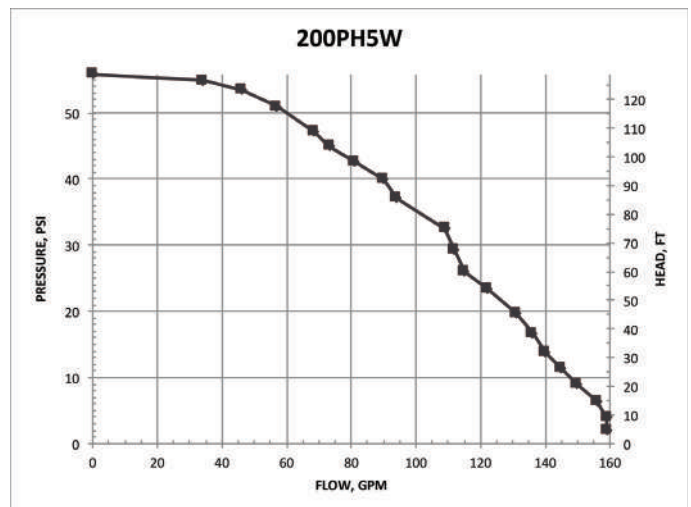
CENTRIFUGAL PUMPS

2" POLY WET SEAL PUMPS



REPLACEMENT PARTS 2" POLY PUMPS

ITEM	PART NO	DESCRIPTION	QTY
1	13719	O-RING	1
2	15035E	EPDM MECHANICAL SEAL ASSEMBLY	1
3	13034	5/16" -24 X 3 3/4" HHCS	4
4	12717	O-RING FOR BRACKET SCREW	4
5	12709	O-RING	4
6	12777	1/2" PLUG	4
7	12155	ADAPTER SHAFT	1
8	12712A	BODY ASSEMBLY	1
9	12705	CHECK VALVE	1
10	A204	IMPELLER BOLT GASKET	1
11	12900	#10 X 1 1/2" PPH SMS	1
12	12725	#6 X 1/2" PPH SMS	2
13	12719A	BODY O-RING	1
14	12754	O-RING SEGMENT	1
15	12720	1/4" - 20 X 2 1/2" SL IND HWHS	10
16	V07018	1/4" LOCK WASHER	10
17	V07019	1/4" - 20 HEX NUT	10
18	12775A	7/16" - 14 HEX NUT	1
19	12902A	3/16" SQ. X 5/8" KEY	2
20	12707W	WET SEAL REAR BRACKET	1
21	12702A	VOLUTE	1
22	12772	5 VANE IMPELLER	1
23	12202W	WET SEAL RESERVOIR	1
24	12766	5/16" - 24 X 3 1/4" HFS	1
25	CV10175	GASKET	1
26	12902A	1/4" SQ. 3/4" KEY STOCK	1
27	UV15163	O-RING FOR DRAIN PLUG	4

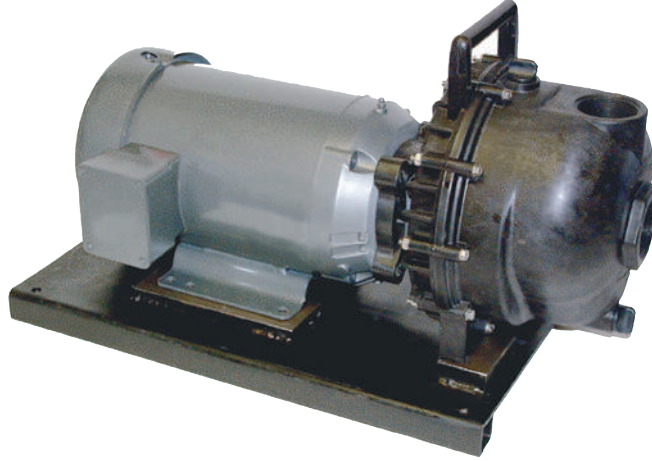


CENTRIFUGAL PUMPS

2" POLY PUMPS WITH ELECTRIC MOTORS

FEATURES

- Additional drive unit protection with added 1" spacer for ultimate protection
- The "Super Slinger" included for even more drive unit protection (not shown)



2" POLY PUMPS W/ELECTRIC MOTORS

PART NO	DESCRIPTION	HP	QTY
234PPE5	2" POLY PUMP W/5 HP THREE PHASE ELECTRIC MOTOR W/ EPDM ELASTOMERS	5	1
234PPE5V	2" POLY PUMP W/5 HP THREE PHASE ELECTRIC MOTOR W/FKM ELASTOMERS	5	1
234PPE51	2" POLY PUMP W/5 HP SINGLE PHASE ELECTRIC MOTOR W/ EPDM ELASTOMERS	5	1
234PPE51V	2" POLY PUMP W/5 HP SINGLE PHASE ELECTRIC MOTOR W/FKM ELASTOMERS	5	1



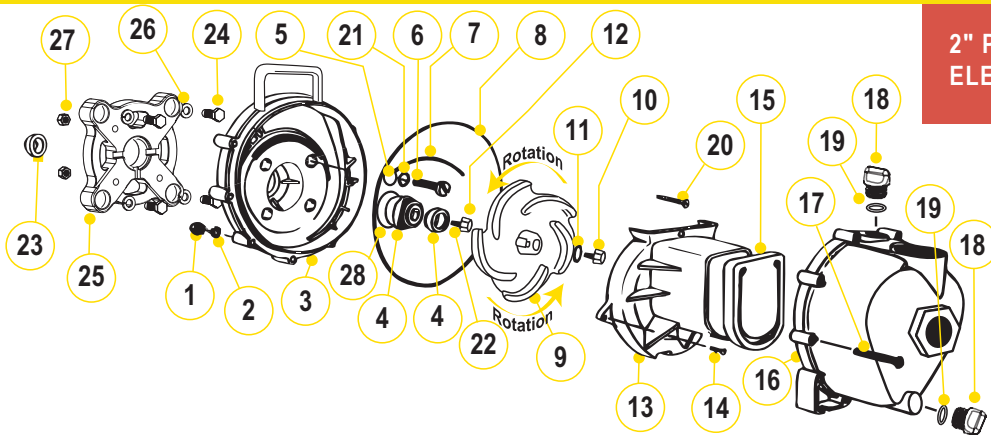
WARNING! DO NOT RUN PUMP DRY, RESTRICT OR REDUCE PORT SIZES OR DEAD HEAD PUMP



WARNING! DO NOT USE WITH FLAMMABLE LIQUIDS

CENTRIFUGAL PUMPS

2" POLY PUMPS WITH ELECTRIC MOTORS



REPLACEMENT PARTS 2" POLY PUMPS

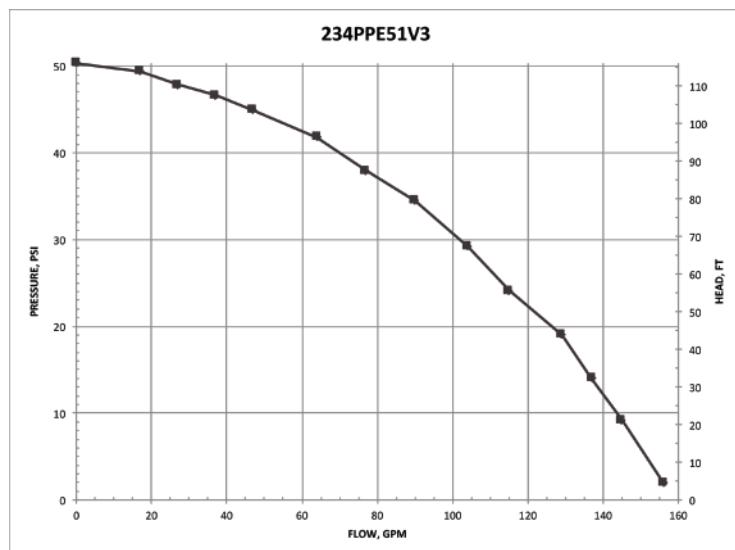
ITEM	PART NO	DESCRIPTION	QTY
1	V07019	SS BODY NUTS	10
2	V07018	SS LOCK WASHERS	10
3	12703A	POLY PUMP REAR BRACKET	1
4	12713	SEAL ASSEMBLY EPDM	1
4	12713V	SEAL ASSEMBLY FKM	1
5	12717	SCREW HEADS O-RING EPDM	4
5	12717V	SCREW HEADS O-RING FKM	4
6	N/A	SS BRACKET SCREWS	4
7	12754	O-RING SEGMENT EPDM	1
7	12754V	O-RING SEGMENT FKM	1
8	12719A	BODY O-RING EPDM	1
8	12719AV	BODY O-RING FKM	1
9	12772	5 VANE IMPELLER	1
10	12765A	SS IMPELLER BOLT	1
11	A204	O-RING	1
11	A204V	FKM O-RING	1
12	12775A	IMPELLER HEX NUT	1
13	12702A	POLY PUMP VOLUTE	1
14	12725	SS VOLUTE SCREWS	2
15	12705	POLY PUMP CHECK VALVE EPDM	1
15	12705V	POLY PUMP CHECK VALVE FKM	1
16	12712A	BODY ASSEMBLY EPDM	1
16	N/A	BODY ASSEMBLY FKM	1
17	12720	SS BODY SCREWS	10
18	12777	1/2" PLUG	2
19	UV15163	PRIME/DRAIN PLUG O-RING	2
19	UV15163V	FKM PRIME/DRAIN PLUG O-RING	2
20	12900	SS UPPER VOLUTE SCREW	1
21	12901	SS REAR BRACKET WASHER	4
22	12902A	IMPELLER KEY	1
23	12716	PUMP SLINGER	1
24	17704	3/8"-16 X 1.25" HHCS	8
25	12046	56C FRAME ADAPTER	1
26	V20018	LOCK WASHER FOR 56C FRAME ADAPTER	8
27	V10119	NUT FOR 56C FRAME ADAPTER	4
28	12710	O-RING FOR SEAL ASSEMBLY	1
28	12710V	FKM O-RING FOR SEAL ASSEMBLY	1

REPLACEMENT PARTS 2" POLY PUMPS

ITEM	PART NO	DESCRIPTION	QTY
N/S	17701	BASE PLATE	1
N/S	12099	7/16"-14 X 1.25" HHCS	1
N/S	12052	56C FRAME ADAPTER SHAFT FOR 200PEO	1
KIT	12756	56C FRAME ADAPTER KIT (ITEMS 6, 22, 24-27, 12052, 12053, 15751, 15752)	1
KIT	12000A	POLY PUMP EPDM REPAIR KIT (ITEMS 4, 5, 7, 8, 9, 11, 15, 19, 22-23 & 12099)	1
KIT	12000AV	POLY PUMP FKM REPAIR KIT (ITEMS 4, 5, 7, 8, 9, 11, 15, 19, 22-23 & 12099)	1
KIT	12999A	PUMP SEAL/O-RING KIT (ITEMS 4, 5, 7, 8, 11, 19, 23)	1
KIT	12999AV	FKM PUMP SEAL/O-RING KIT (ITEMS 4, 5, 7, 8, 11, 19, 23)	1

KITS 2" POLY PUMPS

PART NO	REPAIR KIT NO	SEAL KIT NO	FRAME ADAPTER KIT
234PPE5	12000A	12999A	12756
234PPE5V	12000AV	12999AV	12756
234PPE51	12000A	12999A	12756
234PPE51V	12000AV	12999AV	12756



CENTRIFUGAL PUMPS

2" POLY PUMPS WITH HYDRAULIC MOTORS

FEATURES

- Precision molded construction
- Lightweight
- Corrosion resistant
- Low maintenance
- Hydraulic fluid capacity is minimum 6 gallons and maximum 10 gallons
- Open or closed system
- 3600 R.P.M.
- Recommendation to use the motor spool control valve or a suitable equivalent. The lack of such a valve in this circuit may cause failure to the hydraulic motor.



2" POLY PUMPS W/HYDRAULIC MOTORS

PART NO	DESCRIPTION	HP	QTY
200PHA	2" POLY PUMP WITHOUT HYDRAULIC MOTOR	N/A	1
200PHY	2" POLY PUMP W/12 HP HYDRAULIC MOTOR	12.0	1
200PHYW	2" POLY WET SEAL PUMP W/12 HP HYDRAULIC MOTOR	12.0	1

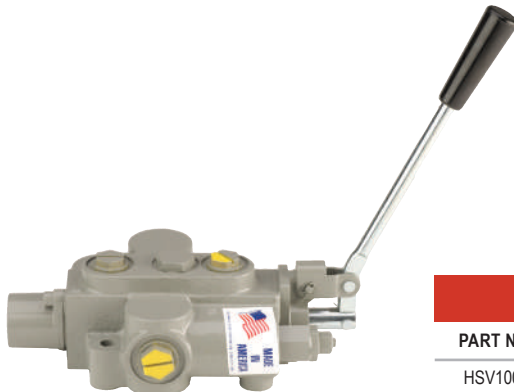
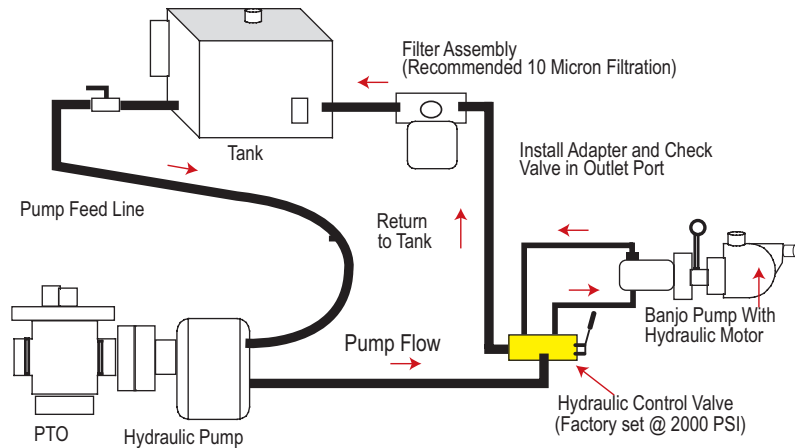


WARNING! DO NOT RUN PUMP DRY, RESTRICT OR REDUCE PORT SIZES OR DEAD HEAD PUMP



WARNING! DO NOT USE WITH FLAMMABLE LIQUIDS

SPOOL VALVE ASSEMBLY DIAGRAM

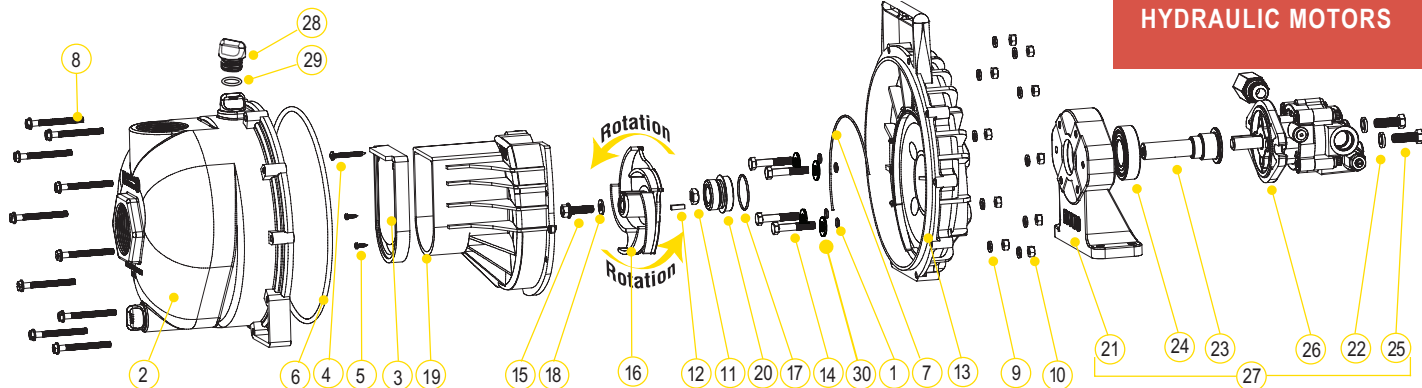


HYDRAULIC MOTOR SPOOL VALVE

PART NO	DESCRIPTION	HP	QTY
HSV1000	HYDRAULIC MOTOR SPOOL VALVE	N/A	1

CENTRIFUGAL PUMPS

2" POLY PUMPS WITH HYDRAULIC MOTORS



REPLACEMENT PARTS 2" POLY PUMPS

ITEM	PART NO	DESCRIPTION	QTY
1	12717	O-RING FOR SCREW HEADS	4
2	12712A	BODY ASSEMBLY	1
3	12705	CHECK VALVE	1
4	12900	SS UPPER VOLUTE SCREW	1
5	12725	SS VOLUTE SCREWS	2
6	12719A	BODY O-RING	1
7	12754	O-RING SEGMENT	1
8	12720	SS BODY SCREWS	10
9	V07018	SS LOCK WASHERS	10
10	V07019	SS BODY NUTS	10
11	12775A	IMPELLER HEX NUT	1
12	12902A	IMPELLER KEY	1
13	12703A	POLY PUMP REAR BRACKET	1
14	12715A	5/16"-24 X 1.75" HHCS	4
15	12765A	SS IMPELLER BOLT	1
16	12772	5 VANE IMPELLER	1
17	12710	O-RING FOR SEAL ASSEMBLY	1
18	A204	O-RING	1
19	12702A	POLY PUMP VOLUTE	1
20	12713	MECHANICAL SEAL ASSEMBLY	1
21	12049F	HYDRAULIC PEDESTAL HOUSING	1
22	V20018	3/8" LOCK WASHER	2
23	12055E	ADAPTER SHAFT	1
24	17056E	BEARING	1
25	18010SS	3/8"-16 X 1.25" HHCS	2
26	HY1013	HYDRAULIC MOTOR	1
27	12600B	COMPLETE HYDRAULIC ASSEMBLY	1
28	12777	1/2" PLUG	2
29	UV15163	O-RING FOR PLUG	2
30	12901	WASHER (200PHA & 200PHY)	4
N/S	HY1003	HYDRAULIC MOTOR SEAL KIT	1
KIT	12000A	POLY PUMP EPDM REPAIR KIT (ITEMS 1, 3, 6, 7, 12, 16-18, 20, 12099)	1
KIT	12999A	PUMP SEAL/O-RING KIT (ITEMS 1, 6, 7, 17, 20, 29, 12099)	1

KITS 2" POLY PUMPS

PART NO	EPDM REPAIR KIT NO	EPDM SEAL KIT NO	HYDRAULIC MOTOR SEAL KIT
200PHA	12000A	12999A	N/A
200PHY	12000A	12999A	HY1003

HYDRAULIC MOTOR DATA

U.S. GALLONS/REV.	0.0025
CUBIC INCHES/REV.	0.580
LITERS/REV.	0.0097
MAX HYDRAULIC PRESSURE	2000 PSI
MIN HYDRAULIC PRESSURE	200 PSI
INLET PORT	SAE 10 (7/8-14 UNF-2B)
OUTLET PORT	SAE 10 (7/8-14 UNF-2B)
MINIMUM GPM REQUIRED	6 GPM 2400 RPM
MAXIMUM GPM REQUIRED	10 GPM 4000 RPM
IDEAL GPM REQUIRED	9 GPM 3600 RPM

CONNECTION INFORMATION

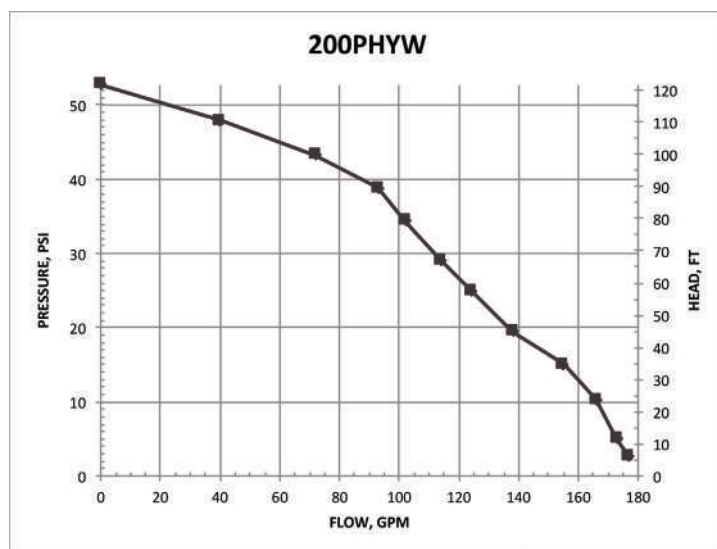
INLET	"A" PORT
OUTLET	"B" PORT

SUPPLIED CHECK VALVE IS TO ENSURE PROPER ROTATION OF THE BANJO PUMP. PLACE CHECK VALVE IN OUTLET PORT (MARKED "B") FOR PROPER RIGHT HAND ROTATION.

SPOOL VALVE INFORMATION

REQUIRED OUTLET FLOW	MIN 6 GPM / MAX 10 GPM
REQUIRED SYSTEM PRESSURE	MIN 600 PSI / MAX 3000 PSI

200PHYW



CENTRIFUGAL PUMPS

2" POLY MANIFOLD PUMPS WITH GAS ENGINES

FEATURES

- Precision molded construction
- Lightweight
- Corrosion resistant
- Low maintenance
- See pages 39-45 on manifold fittings for easy plumbing.



2" POLY MANIFOLD PUMPS W/GAS ENGINES

PART NO	DESCRIPTION	HP	QTY
M220PH5	2" POLY MANIFOLD PUMP W/5.5 HP HONDA® ENGINE	5.5	1
M220PH6	2" FP MANIFOLD PUMP W/6.5 HP HONDA® ENGINE	6.5	1
M220P6PRO	2" FP MANIFOLD PUMP W/6.5 HP BRIGGS & STRATTON® PRO SERIES ENGINE	6.5	1



WARNING! DO NOT RUN PUMP DRY, RESTRICT OR REDUCE PORT SIZES OR DEAD HEAD PUMP



WARNING! DO NOT USE WITH FLAMMABLE LIQUIDS

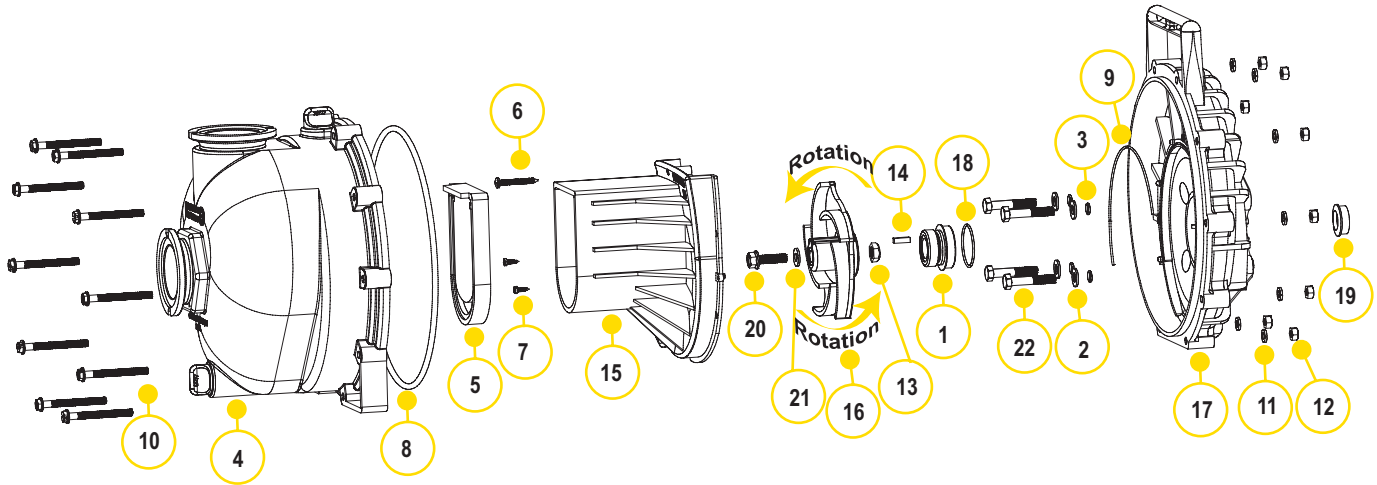


2" POLY MANIFOLD PUMP ONLY

PART NO	DESCRIPTION	HP	QTY
M225PO	2" POLY MANIFOLD PUMP ONLY W/ 3/4" SHAFT & 5 VANE IMPELLER	N/A	1

CENTRIFUGAL PUMPS

2" POLY MANIFOLD PUMPS WITH GAS ENGINES



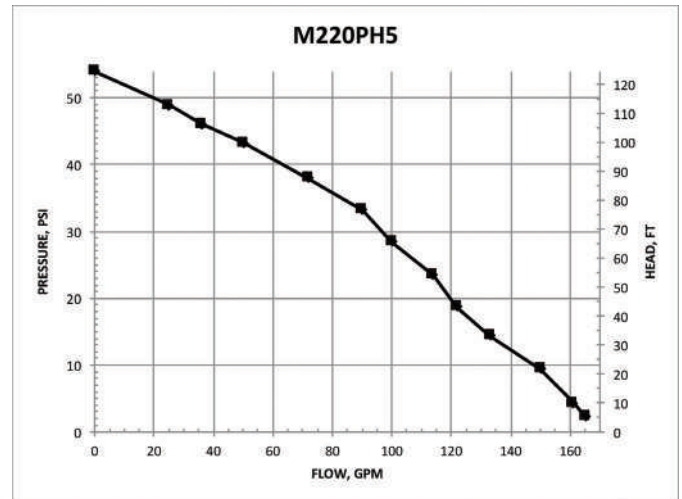
REPLACEMENT PARTS 2" POLY PUMPS

ITEM	PART NO	DESCRIPTION	QTY
1	12713	MECHANICAL SEAL ASSEMBLY	1
2	12901	SS REAR BRACKET WASHER	4
3	12717	O-RING FOR SCREW HEAD	4
4	M12712	2" FP MANIFOLD PUMP BODY ASSEMBLY	1
5	12705	POLY PUMP CHECK VALVE	1
6	12900	SS UPPER VOLUTE SCREW	1
7	12725	SS VOLUTE SCREWS	2
8	12719A	BODY O-RING	1
9	12754	O-RING SEGMENT	1
10	12720	SS BODY SCREWS	10
11	V07018	SS LOCK WASHERS	10
12	V07019	SS BODY NUTS	10
13	12775A	IMPELLER HEX NUT	1
14	12902A	IMPELLER KEY	1
15	12702A	POLY PUMP VOLUTE	1
16	12772	5 VANE IMPELLER	1
16	12771A	3 VANE IMPELLER	1
17	12703A	POLY PUMP REAR BRACKET	1
18	12710	O-RING FOR SEAL ASSEMBLY	1
19	12716	POLY PUMP SLINGER	1
20	12765A	SS IMPELLER BOLT	1
21	A204	O-RING	1
22	12715A	SS BRACKET SCREWS	4
KIT	12000A	POLY PUMP EPDM REPAIR KIT (ITEMS 2,4,7,8,14, 17,19,21,30, 12099)	1
KIT	12000AV	POLY PUMP FKM REPAIR KIT (ITEMS 2,4,7,8,14, 17,19,21,30, 12099)	1
KIT	12999A	PUMP SEAL/O-RING KIT (ITEMS 2,4,7,8,17,19,21,30, 12099)	1
KIT	12999AV	FKM PUMP SEAL/O-RING KIT (ITEMS 4-7,8,10,18, 23 & 12099)	1

KITS 2" POLY PUMPS

PART NO	EPDM REPAIR KIT NO	FKM REPAIR KIT NO	EPDM SEAL KIT NO	FKM SEAL KIT NO
M220PH5	12000A	12000AV	12999A	12999AV
M220PH6	12000A	12000AV	12999A	12999AV
M220P6PRO	12000A	12000AV	12999A	12999AV
M225PO	12000A	12000AV	12999A	12999AV

SEE 12000A & 12000AV KIT DRAWING ON PAGE 97



CENTRIFUGAL PUMPS

2" POLY MANIFOLD WET SEAL PUMPS

FEATURES

- Run dry capability
- Double seal contained in ethylene glycol reservoir. Carbon ceramic seal faces with stainless steel cup and spring with EPDM rubber
- Pump end separated from engine
- Large weep holes between pump and engine
- V-shaped for quicker priming
- See pages 39-45 on manifold fittings for easy plumbing.



2" POLY MANIFOLD WET SEAL PUMPS W/GAS ENGINES

PART NO	DESCRIPTION	HP	QTY
M220PH5W	2" POLY MANIFOLD WET SEAL PUMP W/5.5 HP HONDA® ENGINE	5.5	1



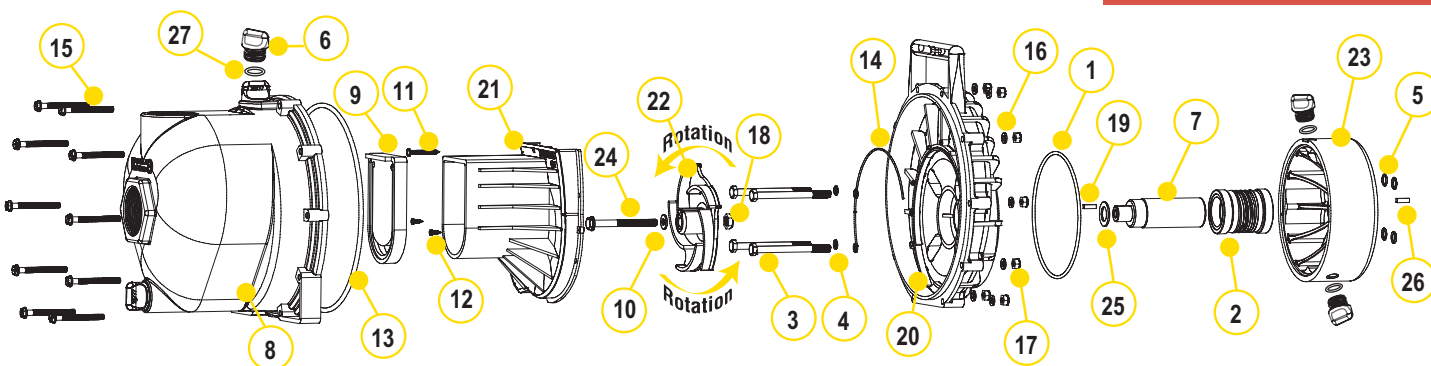
WARNING! DO NOT RUN PUMP DRY, RESTRICT OR REDUCE PORT SIZES OR DEAD HEAD PUMP



WARNING! DO NOT USE WITH FLAMMABLE LIQUIDS

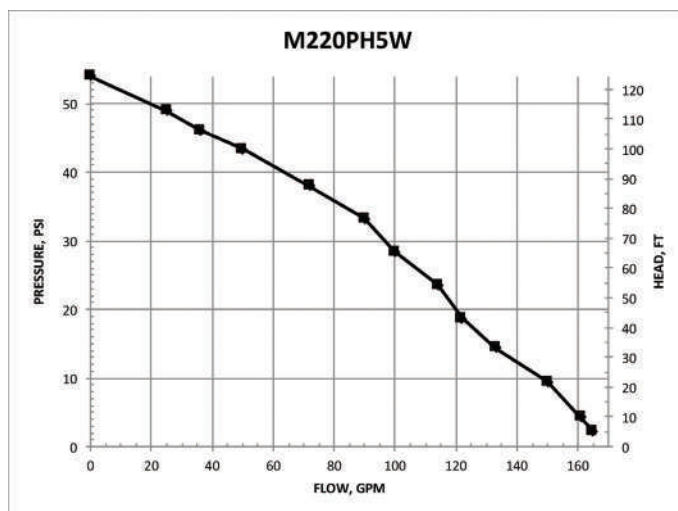
CENTRIFUGAL PUMPS

2" POLY MANIFOLD WET SEAL PUMPS



REPLACEMENT PARTS 2" POLY PUMPS

ITEM	PART NO	DESCRIPTION	QTY
1	13719	O-RING	1
2	15035E	EPDM MECHANICAL SEAL ASSEMBLY	1
3	13034	5/16" -24 X 3 3/4" HHCS	4
4	12717	O-RING FOR BRACKET SCREW	4
5	12709	O-RING	4
6	12777	1/2" PLUG	4
7	12155	ADAPTER SHAFT	1
8	M12712	2" FP MANIFOLD PUMP BODY ASSEMBLY	1
9	12705	CHECK VALVE	1
10	A204	IMPELLER BOLT GASKET	1
11	12900	#10 X 1 1/2" PPH SMS	1
12	12725	#6 X 1/2" PPH SMS	2
13	12719A	BODY O-RING	1
14	12754	O-RING SEGMENT	1
15	12720	1/4" - 20 X 2 1/2" SL IND HWHS	10
16	V07018	1/4" LOCK WASHER	10
17	V07019	1/4" - 20 HEX NUT	10
18	12775A	7/16" - 14 HEX NUT	1
19	12902A	3/16" SQ. X 5/8" KEY	2
20	12707W	WET SEAL REAR BRACKET	1
21	12702A	VOLUTE	1
22	12772	5 VANE IMPELLER	1
23	12202W	WET SEAL RESERVOIR	1
24	12766	5/16" - 24 X 3 3/4" HFS	1
25	CV10175	GASKET	1
26	12902A	1/4" SQ. 3/4" KEY STOCK	1
27	UV15163	O-RING FOR DRAIN PLUG	4

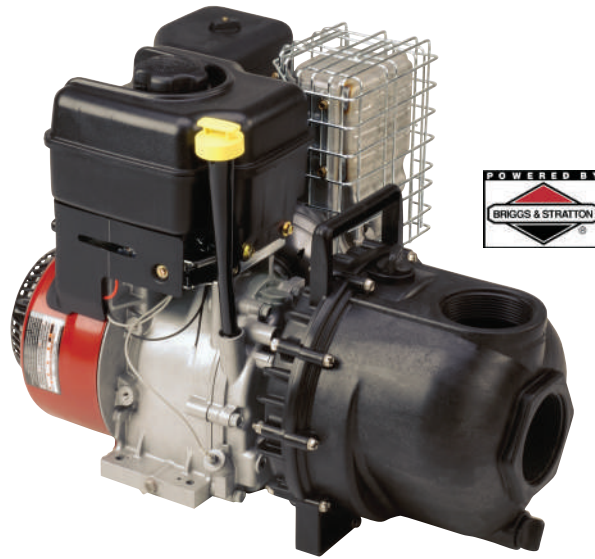


CENTRIFUGAL PUMPS

3" POLY PUMPS

FEATURES

- Pump end separated from engine
- Large weep holes between pump and engine
- V-shaped for quicker priming
- Pump only comes unassembled



3" POLY PUMPS W/GAS ENGINES

PART NO	DESCRIPTION	HP	QTY
300PH-6	3" POLY PUMP W/6.5 HP HONDA® ENGINE	6.5	1
300P11PRO	3" POLY PUMP W/11 HP BRIGGS & STRATTON® ENGINE PRO SERIES W/ELECTRIC START & PULL ROPE	11	1



WARNING! DO NOT RUN PUMP DRY, RESTRICT OR REDUCE PORT SIZES OR DEAD HEAD PUMP



WARNING! DO NOT USE WITH FLAMMABLE LIQUIDS



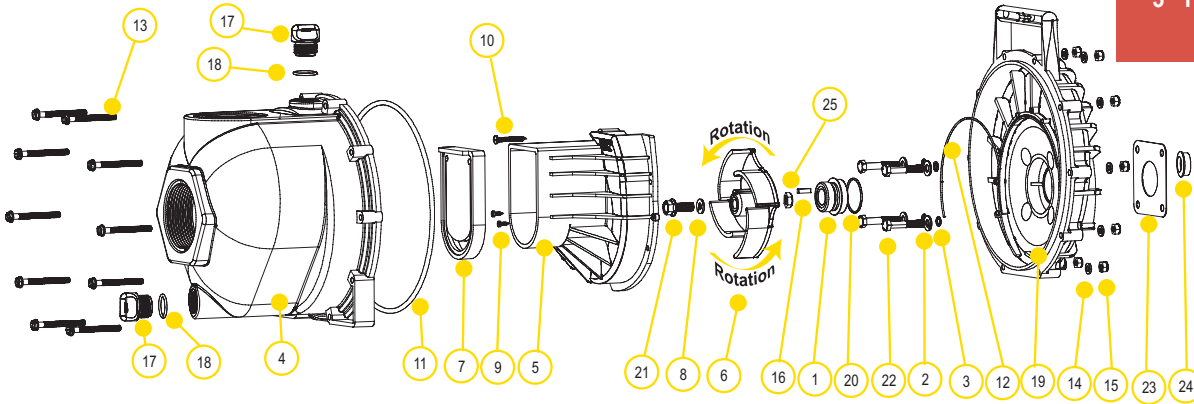
3" POLY BEARING PEDESTAL

PART NO	DESCRIPTION	HP	QTY
300PB	3" POLY BEARING PEDESTAL W/ 3/4" SHAFT & 4 VANE IMPELLER	N/A	1



3" POLY PUMP ONLY

PART NO	DESCRIPTION	HP	QTY
300PO	3" POLY PUMP ONLY W/ 3/4" SHAFT & 4 VANE IMPELLER	N/A	1



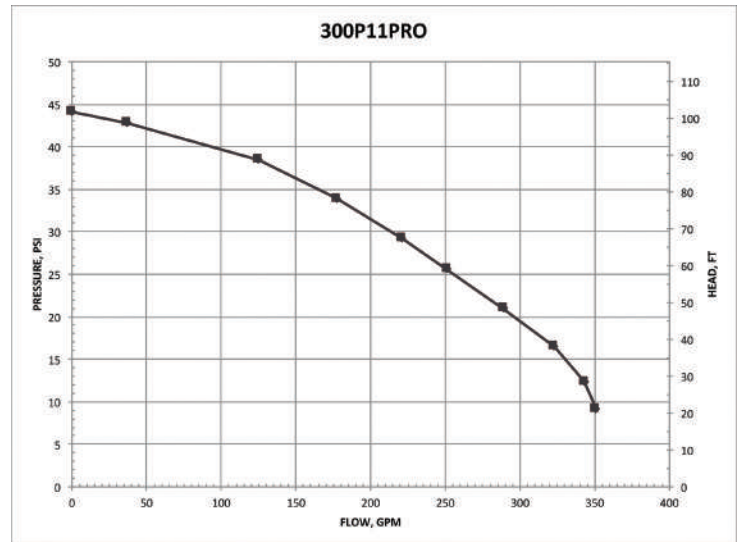
REPLACEMENT PARTS 3" POLY PUMPS

ITEM	PART NO	DESCRIPTION	QTY
1	12713	SEAL ASSEMBLY	1
2	12901	SS REAR BRACKET WASHER	1
3	12717	O-RING FOR SCREW HEAD	1
4	13712	BODY ASSEMBLY	1
5	13702	POLY PUMP VOLUTE	1
6	13771	4 VANE TRIMMED IMPELLER (300PH-6, 300PB & 300PO)	1
6	13772	4 VANE IMPELLER (300P11PRO)	1
7	12705	CHECK VALVE	1
8	A204	O-RING	1
9	12900	SS UPPER VOLUTE SCREW	1
10	12725	SS VOLUTE SCREWS	1
11	12719A	BODY O-RING	1
12	12754	O-RING SEGMENT	1
13	12720	SS BODY SCREWS	1
14	V07018	SS LOCK WASHERS	1
15	V07019	SS BODY NUTS	1
16	12902A	IMPELLER KEY	1
17	13777	3/4" PLUG	1
18	13778	O-RING	1
19	12703A	POLY PUMP REAR BRACKET	1
20	12710	O-RING FOR SEAL ASSEMBLY	1
21	12765A	SS IMPELLER BOLT 5/16 X 24 X 1.12 (300PH-6)	1
21	13765	SS IMPELLER BOLT 3/8 X 24 X 1.75 (300P11PRO)	1
22	12715A	SS BRACKET SCREWS	1
23	15751	REAR BRACKET SHIM	1
24	12716	POLY PUMP SLINGER	1
25	12775A	IMPELLER HEX NUT	1
N/S	12882A	BEARING PEDESTAL	1
N/S	12099	7/16"-14 X 1.25" HHCS	1
N/S	12000A	POLY PUMP EPDM REPAIR KIT (ITEMS 1, 3, 6-8, 11, 12, 16, 18, 20, 24 & 12099)	1
N/S	13999	PUMP SEAL/O-RING KIT (ITEMS 1, 3, 8, 11, 12, 18, 20, 24 & 12099)	1

KITS 3" POLY PUMPS

PART NO	EPDM REPAIR KIT NO	EPDM SEAL KIT NO
300PH-6	12000A	13999
300P11PRO	N/A	13999
300PB	12000A	13999
300PO	12000A	13999

SEE 12000A KIT DRAWING ON PAGE 97



CENTRIFUGAL PUMPS

3" POLY MANIFOLD PUMPS

FEATURES

- Pump end separated from engine
- Large weep holes between pump and engine
- V-shaped for quicker priming
- Pump only comes unassembled
- See pages 39-45 on manifold fittings for easy plumbing.



POWERED by
HONDA

3" POLY MANIFOLD PUMPS W/GAS ENGINES

PART NO	DESCRIPTION	HP	QTY
M300PH6	3" POLY MANIFOLD PUMP W/6.5 HP HONDA® ENGINE	6.5	1
M300P11PRO	3" POLY MANIFOLD PUMP W/11 HP BRIGGS & STRATTON® PRO SERIES W/ELECTRIC START & PULL ROPE	11	1



WARNING! DO NOT RUN PUMP DRY, RESTRICT OR REDUCE PORT SIZES OR DEAD HEAD PUMP



WARNING! DO NOT USE WITH FLAMMABLE LIQUIDS



3" POLY MANIFOLD BEARING PEDESTAL

PART NO	DESCRIPTION	HP	QTY
M300PB	3" POLY MANIFOLD BEARING PEDESTAL W/ 3/4" SHAFT & 4 VANE IMPELLER	N/A	1

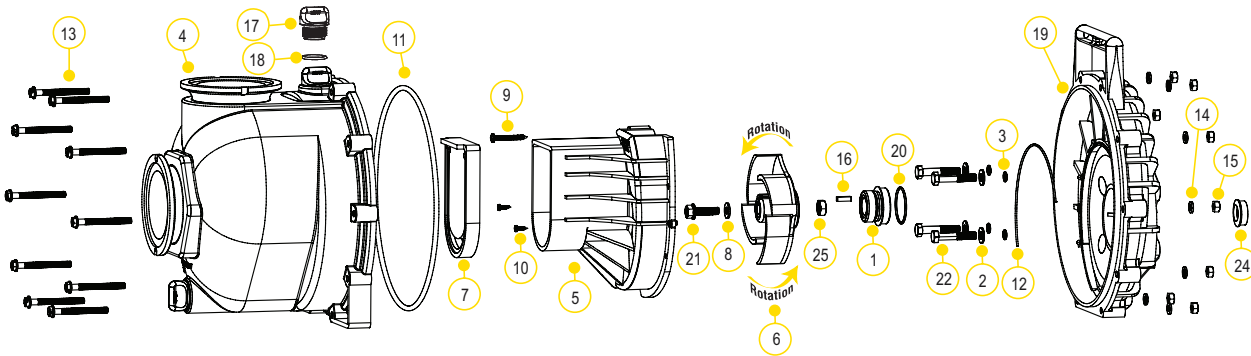


3" POLY MANIFOLD PUMP ONLY

PART NO	DESCRIPTION	HP	QTY
M300PO	3" POLY MANIFOLD PUMP ONLY W/ 3/4" SHAFT & 4 VANE IMPELLER	N/A	1

CENTRIFUGAL PUMPS

3" POLY MANIFOLD PUMPS

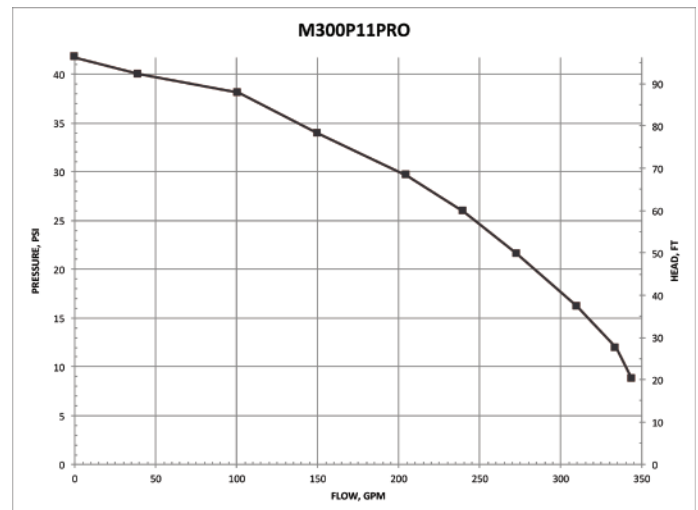


REPLACEMENT PARTS 3" POLY MANIFOLD PUMPS

ITEM	PART NO	DESCRIPTION	QTY
1	12713	SEAL ASSEMBLY	1
2	12901	SS REAR BRACKET WASHER	4
3	12717	O-RING FOR SCREW HEAD	4
4	M13712	MANIFOLD BODY ASSEMBLY	1
5	13702	POLY PUMP VOLUTE	1
6	13771	4 VANE TRIMMED IMPELLER (M300PH-6, M300PB & M300PO)	1
6	13772	4 VANE IMPELLER (M300P11PRO)	1
7	12705	CHECK VALVE	1
8	A204	O-RING	1
9	12900	SS UPPER VOLUTE SCREW	4
10	12725	SS VOLUTE SCREWS	2
11	12719A	BODY O-RING	1
12	12754	O-RING SEGMENT	1
13	12720	SS BODY SCREWS	10
14	V07018	SS LOCK WASHERS	10
15	V07019	SS BODY NUTS	10
16	12902A	IMPELLER KEY	1
17	13777	3/4" PLUG	2
18	13778	O-RING	2
19	12703A	POLY PUMP REAR BRACKET	1
20	12710	O-RING FOR SEAL ASSEMBLY	1
21	12765A	SS IMPELLER BOLT 5/16 X 24 X 1.12 (-6)	1
21	13765	SS IMPELLER BOLT 3/8 X 24 X 1.75 (M300P11PRO)	1
22	12715A	SS BRACKET SCREWS	4
23	15751	REAR BRACKET SHIM	1
24	12716	POLY PUMP SLINGER	1
25	12775A	IMPELLER HEX NUT	1
N/S	12882A	BEARING PEDESTAL	1
N/S	12099	7/16"-14 X 1.25" HHCS	1
N/S	12000A	POLY PUMP EPDM REPAIR KIT (ITEMS 1, 3, 6-8, 11, 12, 16, 18, 20, 24 & 12099)	1
N/S	13999	PUMP SEAL/O-RING KIT (ITEMS 1, 3, 8, 11, 12, 18, 20, 24 & 12099)	1

KITS 3" POLY PUMPS

PART NO	EPDM REPAIR KIT NO	EPDM SEAL KIT NO
M300PH6	12000A	13999
M300P11PRO	N/A	13999
M300PB	12000A	13999
M300PO	12000A	13999



CENTRIFUGAL PUMPS

3" POLY PUMPS WITH HYDRAULIC MOTORS

FEATURES

- Precision molded construction
- Lightweight
- Corrosion resistant
- Low maintenance
- Hydraulic fluid capacity is minimum 6 gallons and maximum 10 gallons
- Open or closed system
- 3600 R.P.M.
- Recommendation to use the motor spool control valve or a suitable equivalent. The lack of such a valve in this circuit may cause failure to the hydraulic motor.



3" POLY PUMPS W/HYDRAULIC MOTORS

PART NO	DESCRIPTION	HP	QTY
300PHY	3" POLY PUMP W/12 HP HYDRAULIC MOTOR	12	1
300PHYW	3" POLY WET SEAL PUMP W/12 HP HYDRAULIC MOTOR	12	1
305PHAW	3" POLY WET SEAL PUMP W/5 VANE IMPELLER W/OUT HYDRAULIC MOTOR	N/A	1

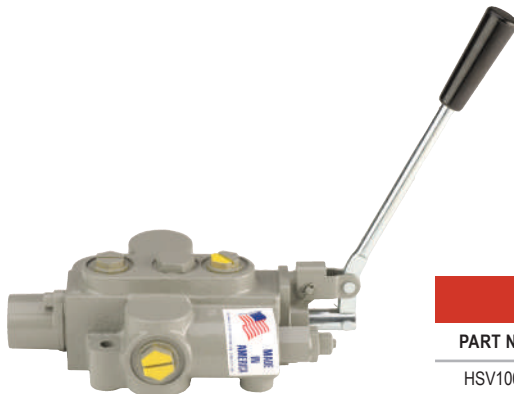
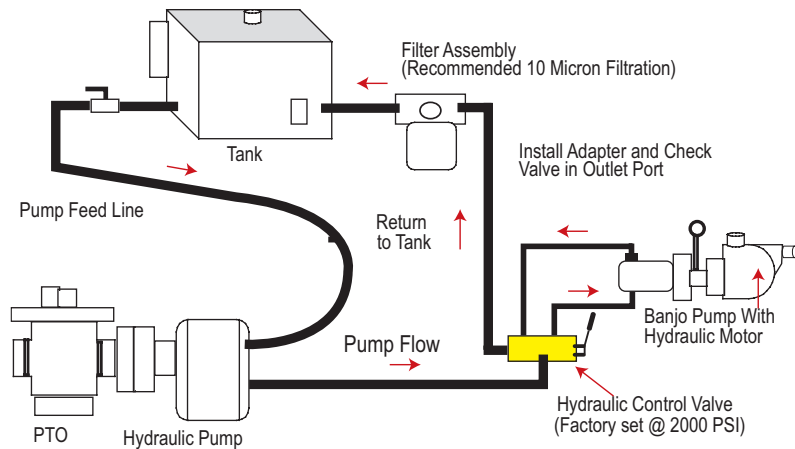


WARNING! DO NOT RUN PUMP DRY, RESTRICT OR REDUCE PORT SIZES OR DEAD HEAD PUMP



WARNING! DO NOT USE WITH FLAMMABLE LIQUIDS

SPOOL VALVE ASSEMBLY DIAGRAM

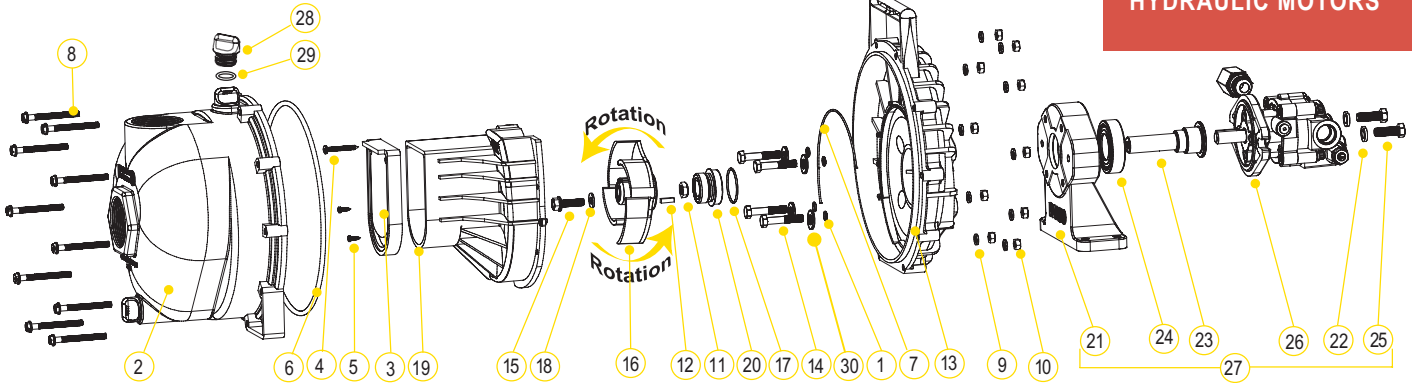


HYDRAULIC MOTOR SPOOL VALVE

PART NO	DESCRIPTION	HP	QTY
HSV1000	HYDRAULIC MOTOR SPOOL VALVE	N/A	1

CENTRIFUGAL PUMPS

3" POLY PUMPS WITH HYDRAULIC MOTORS



REPLACEMENT PARTS 3" POLY PUMPS

ITEM	PART NO	DESCRIPTION	QTY
1	12717	O-RING FOR SCREW HEADS	4
2	13712	BODY ASSEMBLY	1
3	12705	CHECK VALVE	1
4	12900	SS UPPER VOLUTE SCREW	4
5	12725	SS VOLUTE SCREWS	2
6	12719A	BODY O-RING	1
7	12754	O-RING SEGMENT	1
8	12720	SS BODY SCREWS	10
9	V07018	SS LOCK WASHERS	10
10	V07019	SS BODY NUTS	10
11	12775A	IMPELLER HEX NUT	1
12	12902A	IMPELLER KEY	1
13	12703A	POLY PUMP REAR BRACKET	1
14	12715A	5/16"-24 X 1.75" HHCS	4
15	12765A	SS IMPELLER BOLT	1
16	13772	TRIMMED 4 VANE IMPELLER	1
17	12710	O-RING FOR SEAL ASSEMBLY	1
18	A204	O-RING	1
19	13702	POLY PUMP VOLUTE	1
20	12713	MECHANICAL SEAL ASSEMBLY	1
21	12049F	HYDRAULIC PEDESTAL HOUSING (MUST ORDER 17056E & 12055E)	1
22	V20018	3/8" LOCK WASHER	2
23	12055E	ADAPTER SHAFT	1
24	17056E	BEARING	1
25	18010SS	3/8" - 16 X 1 1/8" SS CAP SCREW HXHD	2
26	HY1013	HYDRAULIC MOTOR	1
27	12600B	COMPLETE HYDRAULIC ASSEMBLY	1
28	13777	3/4" PLUG	2
29	13778	O-RING	2
30	12901	SS REAR BRACKET WASHER (300PHY)	4
N/S	HY1003	HYDRAULIC MOTOR SEAL KIT	1
KIT	12000A	POLY PUMP EPDM REPAIR KIT (ITEMS 1, 3, 6, 7, 16, 18, 20, 29, 12099)	1
KIT	13999	PUMP SEAL/O-RING KIT (ITEMS 2, 4, 7-8, 16, 18, 19, 21, 30, 12099)	1

KITS 3" POLY PUMPS

PART NO	EPDM REPAIR KIT NO	EPDM SEAL KIT NO	HYDRAULIC MOTOR SEAL KIT
300PHY	12000A	13999	HY1003

HYDRAULIC MOTOR DATA

U.S. GALLONS/REV.	0.0025
CUBIC INCHES/REV.	0.580
LITERS/REV.	0.0097
MAX HYDRAULIC PRESSURE	2000 PSI
MIN HYDRAULIC PRESSURE	200 PSI
INLET PORT	SAE 10 (7/8-14 UNF-2B)
OUTLET PORT	SAE 10 (7/8-14 UNF-2B)
MINIMUM GPM REQUIRED	6 GPM 2400 RPM
MAXIMUM GPM REQUIRED	10 GPM 4000 RPM
IDEAL GPM REQUIRED	9 GPM 3600 RPM

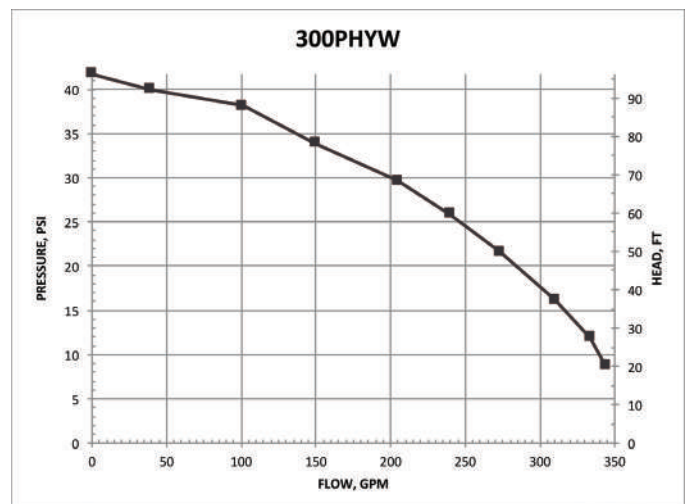
CONNECTION INFORMATION

INLET	"A" PORT
OUTLET	"B" PORT

SUPPLIED CHECK VALVE IS TO ENSURE PROPER ROTATION OF THE BANJO PUMP. PLACE CHECK VALVE IN OUTLET PORT (MARKED "B") FOR PROPER RIGHT HAND ROTATION.

SPOOL VALVE INFORMATION

REQUIRED OUTLET FLOW	MIN 6 GPM / MAX 10 GPM
REQUIRED SYSTEM PRESSURE	MIN 600 PSI / MAX 3000 PSI



CENTRIFUGAL PUMPS

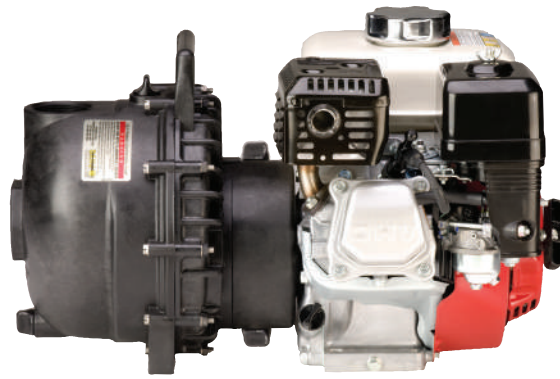
3" POLY WET SEAL PUMPS

FEATURES

- Run dry capability
- Double seal contained in ethylene glycol reservoir. Carbon ceramic seal faces with stainless steel cup and spring with EPDM rubber.
- V-shaped for quicker priming
- Engine warranty service available at authorized Briggs & Stratton® and Honda® dealers
- Due to weight and size of pumps, Banjo ships these by truck only.



WARNING! DO NOT USE WITH FLAMMABLE LIQUIDS



3" POLY WET SEAL PUMPS W/GAS ENGINES

PART NO	DESCRIPTION	HP	QTY
300PH6W	3" POLY WET SEAL PUMP W/6 HP HONDA® ENGINE	6	1
300P11PROW	3" POLY WET SEAL PUMP W/11 HP BRIGGS & STRATTON® ENGINE PRO SERIES W/ELECTRIC START & PULL ROPE	11	1
300PH13W	3" POLY WET SEAL PUMP W/13 HP HONDA® ENGINE W/ELECTRIC START & PULL ROPE	13	1



3" POLY WET SEAL BEARING PEDESTAL

PART NO	DESCRIPTION	HP	QTY
300PBW	3" POLY WET SEAL BEARING PEDESTAL W/ 3/4" SHAFT & 4 VANE IMPELLER	N/A	1

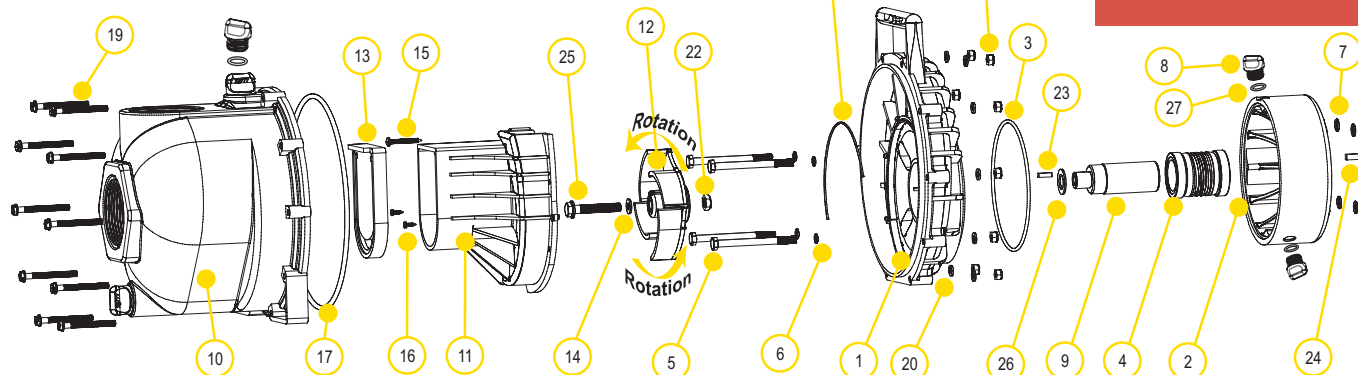


3" POLY WET SEAL PUMP ONLY

PART NO	DESCRIPTION	HP	QTY
300POW	3" POLY WET SEAL PUMP ONLY FOR 1" SHAFT	N/A	1
300POW6	3" POLY WET SEAL PUMP ONLY FOR 3/4" SHAFT	N/A	1

CENTRIFUGAL PUMPS

3" POLY WET SEAL PUMPS

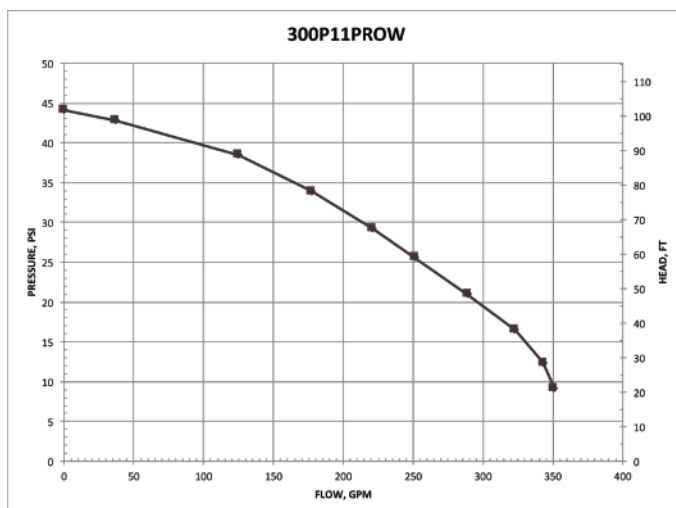


REPLACEMENT PARTS 3" POLY PUMPS

ITEM	PART NO	DESCRIPTION	QTY
1	12703AW	WET SEAL REAR BRACKET	1
2	12201W	WET SEAL RESERVOIR	1
2	12202W	WET SEAL RESERVOIR (300POW6)	1
3	13719	O-RING	1
3	13719V	FKM O-RING (301POWV)	1
4	15035E	EPDM MECHANICAL SEAL ASSEMBLY	1
4	15035	MECHANICAL SEAL ASSEMBLY (301POWV)	1
5	13034	5/16" -24 X 3 3/4" HHCS	4
6	12717	O-RING FOR BRACKET SCREW	4
6	12717V	FKM O-RING FOR BRACKET SCREW (301POWV)	4
7	12709	O-RING	4
7	12709V	FKM O-RING (301POWV)	4
8	12777	1/2" PLUG	4
9	13055	ADAPTER SHAFT (300PH6W & 300PH13W)	1
9	N/A	ADAPTER SHAFT (300P11PROW & 301POWV)	1
9	12155	ADAPTER SHAFT (300PH6W)	1
10	13712	BODY ASSEMBLY	1
10	13712	FKM BODY ASSEMBLY (301POWV)	1
11	13702	VOLUTE	1
12	13772	4 VANE IMPELLER	1
12	13771	TRIMMED IMPELLER (300POW6)	1
13	12705	CHECK VALVE	1
13	12705V	FKM CHECK VALVE (301POWV)	1
14	A204	IMPELLER BOLT GASKET	1
14	A204V	FKM IMPELLER BOLT GASKET (301POWV)	1
15	12900	#10 X 1 1/2" PPH SMS	1
16	12725	#6 X 1/2" PPH SMS	2
17	13719	BODY O-RING	1
17	13719V	FKM BODY O-RING (301POWV)	1
18	12754	O-RING SEGMENT	1
18	12754V	FKM O-RING SEGMENT (301POWV)	1
19	12720	1/4" - 20 X 2 1/2" SL IND HWHS	10
20	V07018	1/4" LOCK WASHER	10
21	V07019	1/4" - 20 HEX NUT	10
22	12775A	7/16" - 14 HEX NUT	1
23	12902A	3/16" SQ. X 5/8" KEY	2
24	16901	1/4" SQUARE KEY	1
25	13766	3/8-24 X 2 1/4" HFS	1

REPLACEMENT PARTS 3" POLY PUMPS

ITEM	PART NO	DESCRIPTION	QTY
26	CV10175	GASKET	1
26	CV10175V	FKM GASKET (301POWV)	1
27	UV15163	O-RING FOR DRAIN PLUG	4
27	UV15163V	FKM O-RING FOR DRAIN PLUG (301POWV)	4



CENTRIFUGAL PUMPS

3" POLY MANIFOLD WET SEAL PUMPS

FEATURES

- Run dry capability
- Double seal contained in ethylene glycol reservoir. Carbon ceramic seal faces with stainless steel cup and spring with EPDM rubber
- Pump end separated from engine
- V-shaped for quicker priming
- Engine warranty service available at authorized dealers
- See pages 39-45 on manifold fittings for easy plumbing.



3" POLY MANIFOLD WET SEAL PUMPS W/GAS ENGINES

PART NO	DESCRIPTION	HP	QTY
M300PH6W	3" POLY MANIFOLD WET SEAL PUMP W/6 HP HONDA® ENGINE	6	1



3" POLY MANIFOLD WET SEAL PUMP ONLYS

PART NO	DESCRIPTION	HP	QTY
M300POW6	3" POLY MANIFOLD WET SEAL PUMP ONLY FOR 3/4" SHAFT	N/A	1



3" POLY MANIFOLD WET SEAL PUMP W/HYDRAULIC

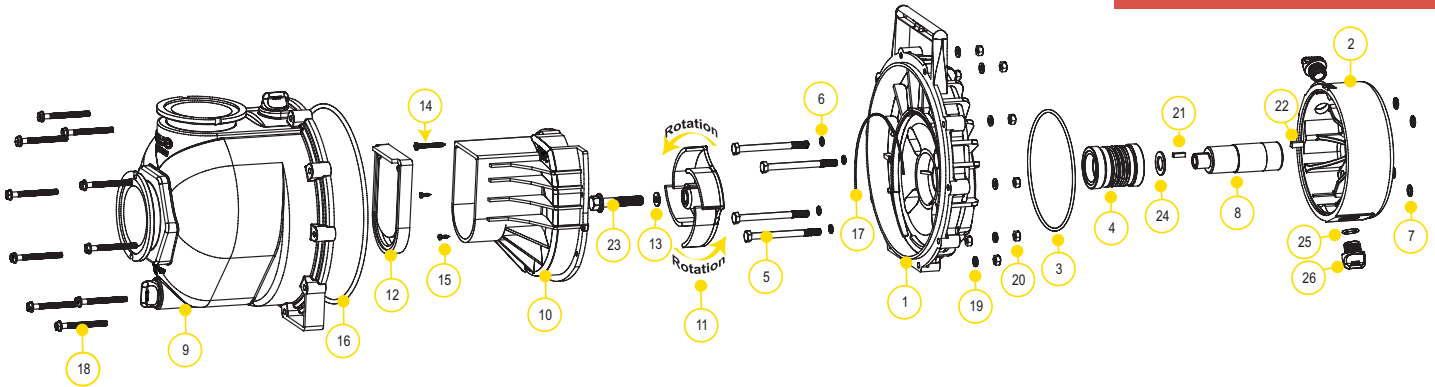
PART NO	DESCRIPTION	HP	QTY
M305PHYW	3" POLY MANIFOLD WET SEAL PUMP W/HYDRAULIC MOTOR	N/A	1



WARNING! DO NOT USE WITH FLAMMABLE LIQUIDS

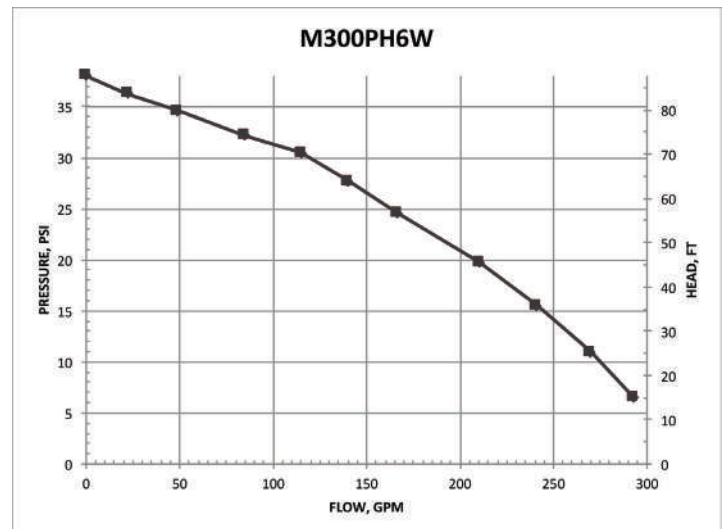
CENTRIFUGAL PUMPS

3" POLY MANIFOLD WET SEAL PUMPS



REPLACEMENT PARTS 3" POLY PUMPS

ITEM	PART NO	DESCRIPTION	QTY
1	12707W	WET SEAL REAR BRACKET FOR 6 HP HONDA® ENGINE & BEARING PEDESTAL	1
2	12202W	WET SEAL RESERVOIR FOR 6 HP HONDA® ENGINE & BEARING PEDESTAL	1
3	13719	O-RING	1
4	15035E	MECHANICAL SEAL ASSEMBLY EPDM	1
5	13034	5/16" - 24 X 3 3/4" HHCS	4
6	12717	O-RING FOR BRACKET SCREW	4
7	12709	O-RING	4
8	12155	ADAPTER SHAFT FOR 6 HP HONDA® ENGINE & BEARING PEDESTAL	1
9	M13712	MANIFOLD BODY ASSEMBLY	1
10	13702	VOLUTE	1
11	13772	4 VANE IMPELLER	1
12	12705	CHECK VALVE	1
13	A204	O-RING	1
14	12900	#10 X 1 1/2" PPH SMS 18-8 SS	1
15	12725	#6 X 1/2" PPH SMS 18-8 SS	1
16	12719A	BODY O-RING	1
17	12754	O-RING SEGMENT	1
18	12720	1/4" - 20 X 2 1/2" SL IND HWHS	10
19	V07018	1/4" LOCK WASHER	10
20	V07019	1/4" - 20 HEX NUT	10
21	12902A	3/16" SQ. X 5/8" KEY	1
22	16901	1/4" SQ. 3/4" KEY STOCK	1
23	12766	5/16"-24 X 3 3/4" HFS FOR 6 HP HONDA® ENGINE & BEARING PEDESTAL	1
24	CV10175	GASKET	1
25	UV15163	O-RING	2
26	12777	1/2" PLUG	2



CENTRIFUGAL PUMPS

1½" - 2" CAST IRON PUMPS

FEATURES

- Cast iron construction for rugged dependable service
- Stainless steel shaft sleeve to protect engine shaft
- Carbon ceramic seal with stainless steel cup and spring with FKM rubber
- Replaceable inlet and outlet flanges
- Dynamically balanced impeller
- Pump only packs complete and ready for attachment to gasoline engine
- Pedestal pump for long coupling to electric motor
- Recommendation for 5/8" shaft: 56C frame size, 3 HP, 3450 RPM & 5" max impeller for close coupling to electric motors
- Recommendation for 7/8" shaft: 145TC frame size, 3 HP, 3450 RPM & 5" max impeller for close coupling to electric motors
- Engine warranty service available at authorized dealers



WARNING! DO NOT RUN PUMP DRY, RESTRICT OR REDUCE PORT SIZES OR DEAD HEAD PUMP



WARNING! DO NOT USE WITH FLAMMABLE LIQUIDS



2" CAST IRON PUMP W/GAS ENGINES

PART NO	DESCRIPTION	HP	QTY
200PI-3	2" CAST IRON PUMP W/3.5 HP BRIGGS & STRATTON® ENGINE	3.5	1
200PI6PRO	2" CAST IRON PUMP W/6.5 HP BRIGGS & STRATTON® ENGINE PRO SERIES	6.5	1
200PIH-5	2" CAST IRON PUMP W/5.5 HP HONDA® ENGINE	5.5	1
200PIH5E	2" CAST IRON PUMP W/5.5 HP HONDA® ENGINE W/ ELECTRIC START	5.5	1



2" CAST IRON PUMP ONLY

PART NO	DESCRIPTION	HP	QTY
200POI	2" CAST IRON PUMP ONLY W/ ¾" SHAFT SLEEVE	N/A	1



1½" CAST IRON C-FLANGE PUMPS

PART NO	DESCRIPTION	HP	QTY
150POICF5/8-4.1	1½" CAST IRON C-FLANGE PUMP W/ 5/8" SHAFT SLEEVE & 4.1 IMPELLER	N/A	1

2" CAST IRON C-FLANGE PUMPS

PART NO	DESCRIPTION	HP	QTY
200POICF5/8	2" CAST IRON C-FLANGE PUMP W/ 5/8" SHAFT SLEEVE	N/A	1
200POICF7/8	2" CAST IRON C-FLANGE PUMP W/ 7/8" SHAFT SLEEVE	N/A	1

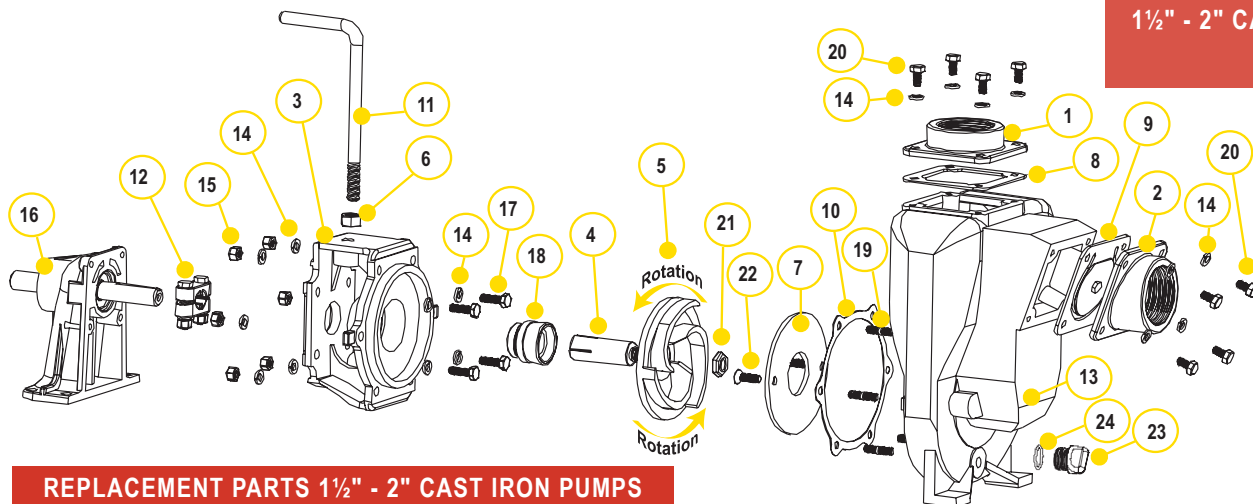


2" CAST IRON BEARING PEDESTAL

PART NO	DESCRIPTION	HP	QTY
200PBI	2" CAST IRON BEARING PEDESTAL W/ ¾" STRAIGHT SHAFT	N/A	1

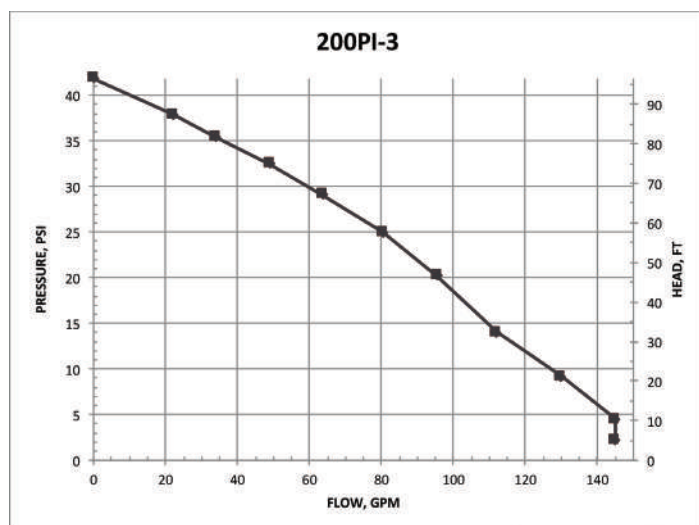
CENTRIFUGAL PUMPS

1½" - 2" CAST IRON PUMPS



REPLACEMENT PARTS 1½" - 2" CAST IRON PUMPS

ITEM	PART NO	DESCRIPTION	QTY
1	17001	1½" NPT OUTLET FLANGE	1
1	17000	2" NPT OUTLET FLANGE	1
2	17003	1½" NPT INLET FLANGE	1
2	17002	2" NPT INLET FLANGE	1
3	17004	ADAPTER FOR GAS ENGINE	1
3	17046	C-FACE ADAPTER	1
4	17005	5/8" SLEEVE DRIVE FOR ELECTRIC MOTOR	1
4*	17006	¾" SLEEVE DRIVE	1
4	17007	7/8" SLEEVE DRIVE FOR ELECTRIC MOTOR	1
5*	17008	5" IMPELLER	1
5	17008-4.1	4.1" TRIMMED IMPELLER	1
6	17010	½" HEX NUT	1
7*	17011	WEAR PLATE	1
8	17013	EPDM GASKET	1
9	17016	CHECK VALVE ASSEMBLY	1
10*	17018	GASKET ADAPTER	1
11	15022	HANDLE	1
12	17023	5/8" CLAMP FOR ¾" SHAFT ASSEMBLY (OLD STYLE)	1
12	17123	5/8" CLAMP FOR ¾" SHAFT ASSEMBLY (KEYED)	1
12	17024	7/8" CLAMP FOR SHAFT ASSEMBLY	1
13	17026	PUMP HOUSING	1
14	V10118	5/16" LOCK WASHER	18
15	V10119	5/16" - 18 SS HEX NUT	6
N/S	12883B	BEARINGS	1
16	12882A	COMPLETE PEDESTAL ASSEMBLY	2
17	17040	5/16" -24 X 1.00" CAP SCREW	1
18	17028	EPDM SEAL ASSEMBLY	4
18*	17035	FKM SEAL ASSEMBLY	1
18	17035SD	SEVERE DUTY SEAL	1
19	17042	STUD	6
20	17019	5/16"-18 X ¾" CAP SCREW	8
21	17009B	5/8" IMPELLER NUT	1
22	17130	5/16-18 X 1.00" FHSCS, 18-8 SS	2
23	12777	½" PLUG	1
24	UV15163	O-RING	1
N/S	17033	Z RAILS (PAIR)	1
N/S	17100	REPAIR KIT (CONSISTS OF ITEMS 4*, 5*, 7,10,18*)	1



CENTRIFUGAL PUMPS

2" CAST IRON WET SEAL PUMPS

FEATURES

- Cast iron construction for rugged dependable service
- Stainless steel hardware
- FKM double seal contained in glycol reservoir
- Replaceable inlet and outlet flanges
- Dynamically balanced impeller
- Pump only packs complete and ready for attachment to gasoline engine
- Pedestal pump for long coupling to electric motor
- Due to weight and size of pumps, Banjo ships these by truck only.



2" CAST IRON WET SEAL PUMPS W/GAS ENGINES

PART NO	DESCRIPTION	HP	QTY
201PIH5W	2" CAST IRON WET SEAL PUMP W/5.5 HP HONDA® ENGINE	5.5	1



2" CAST IRON WET SEAL PUMP ONLY

PART NO	DESCRIPTION	HP	QTY
201POIW	2" CAST IRON WET SEAL PUMP ONLY	N/A	1



WARNING! DO NOT RUN PUMP DRY, RESTRICT OR REDUCE PORT SIZES OR DEAD HEAD PUMP



WARNING! DO NOT USE WITH FLAMMABLE LIQUIDS

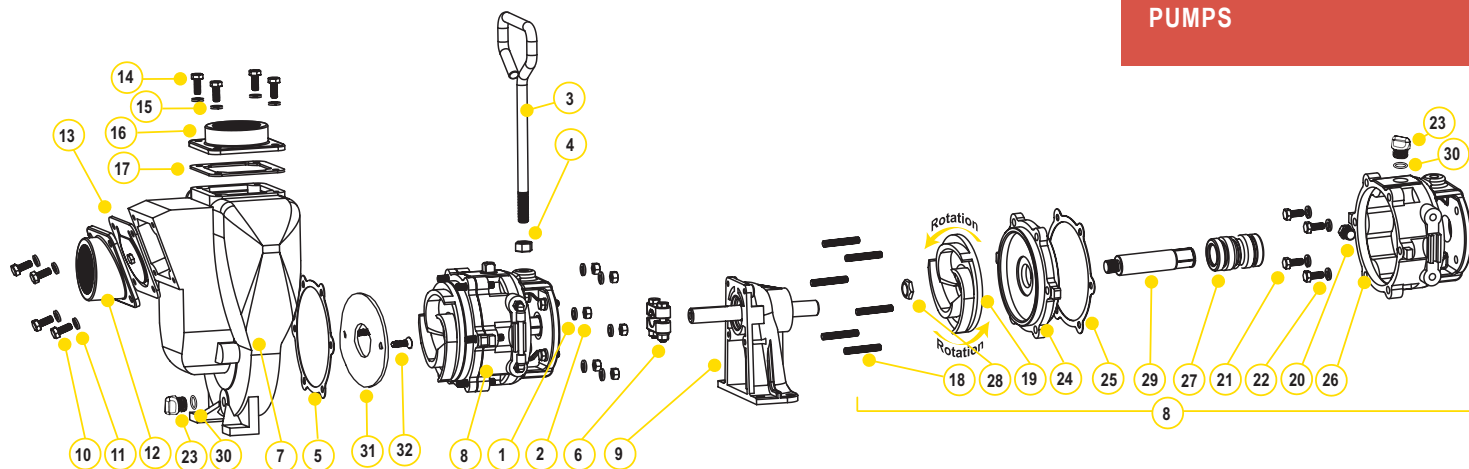


2" CAST IRON WET SEAL PUMP BEARING PEDESTAL

PART NO	DESCRIPTION	HP	QTY
201PBIW	2" CAST IRON WET SEAL PUMP WITH BEARING PEDESTAL	N/A	1

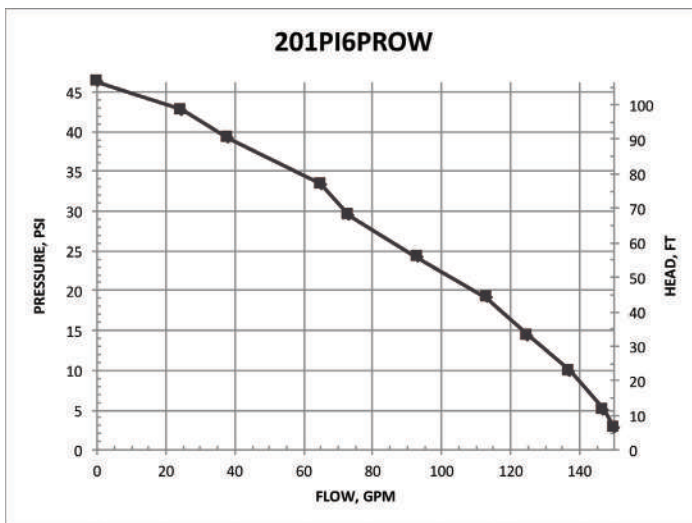
CENTRIFUGAL PUMPS

2" CAST IRON WET SEAL PUMPS



REPLACEMENT PARTS 2" CAST IRON PUMPS

ITEM	PART NO	DESCRIPTION	QTY
1	V10118	5/16" LOCK WASHER	6
2	V10119	5/16" -18 HEX NUT	6
3	15022	HANDLE	1
4	17010	1/2" HEX NUT	1
5	17018	GASKET ADAPTER	1
6	17123	5/8" CLAMP, 3/4" SHAFT ASSEMBLY KEYED	1
7	17226	PUMP HOUSING	1
8	N/A	WET SEAL ASSEMBLY	1
9	12882A	BEARING PEDESTAL	1
10	17019	5/16"-18 X 3/4" HHCS	4
11	V10118	5/16" LOCK WASHER	4
12	17002	2" NPT INLET FLANGE	1
13	17016	EPDM CHECK VALVE GASKET ASSEMBLY	1
14	17019	5/16" -18 X 3/4" HHCS	4
15	V10118	5/16" LOCK WASHER	4
16	17000	2" NPT OUTLET FLANGE	1
17	17013	EPDM OUTLET GASKET	1
18	17242	HOUSING STUD	6
19	17208	IMPELLER	1
20	17032	PIPE PLUG	1
21	17019	5/16"-18 X 3/4" CAP SCREW	4
22	V10118	5/16" LOCK WASHER	4
23	12777	1/2" PLUG	2
24	17202	COVER PLATE	1
25	17018	GASKET ADAPTER	1
26	17201A	RESERVOIR	1
27	17235	FKM MECHANICAL SEAL ASSEMBLY	1
28	17009B	5/8" IMPELLER NUT	1
29	17206A	ADAPTER SHAFT	1
30	UV15163	O-RING	2
31	17011	Wear Plate	1
32	17130	5/16-18 X 1.00" FHSCS, 18-8 SS	1



CENTRIFUGAL PUMPS

2" CAST IRON PUMPS WITH ELECTRIC MOTORS

FEATURES

- Cast iron construction for rugged dependable service
- Stainless steel shaft sleeve to protect engine shaft
- Carbon ceramic seal with stainless steel cup and spring with FKM rubber
- Replaceable inlet and outlet flanges
- Dynamically balanced impeller
- Pump only packs complete and ready for attachment to gasoline engine
- Due to weight and size of pumps, Banjo ships these by truck only.
- Motor warranty service available at authorized dealers
- Motor features include pressure cast aluminum end plates with ribbed design for rigidity, heavy gauge steel frame, 230 volt, with inverter spike resistance magnet wire



2" CAST IRON PUMPS W/ELECTRIC MOTORS

PART NO	DESCRIPTION	HP	QTY
234PIE5	2" CAST IRON PUMP W/5 HP THREE PHASE ELECTRIC MOTOR	5	1
234PIE51	2" CAST IRON PUMP W/5 HP SINGLE PHASE ELECTRIC MOTOR	5	1

2" CAST IRON PUMP ONLY

PART NO	DESCRIPTION	HP	QTY
234POI	2" CAST IRON PUMP ONLY W 184TC FRAME ADAPTER	N/A	1



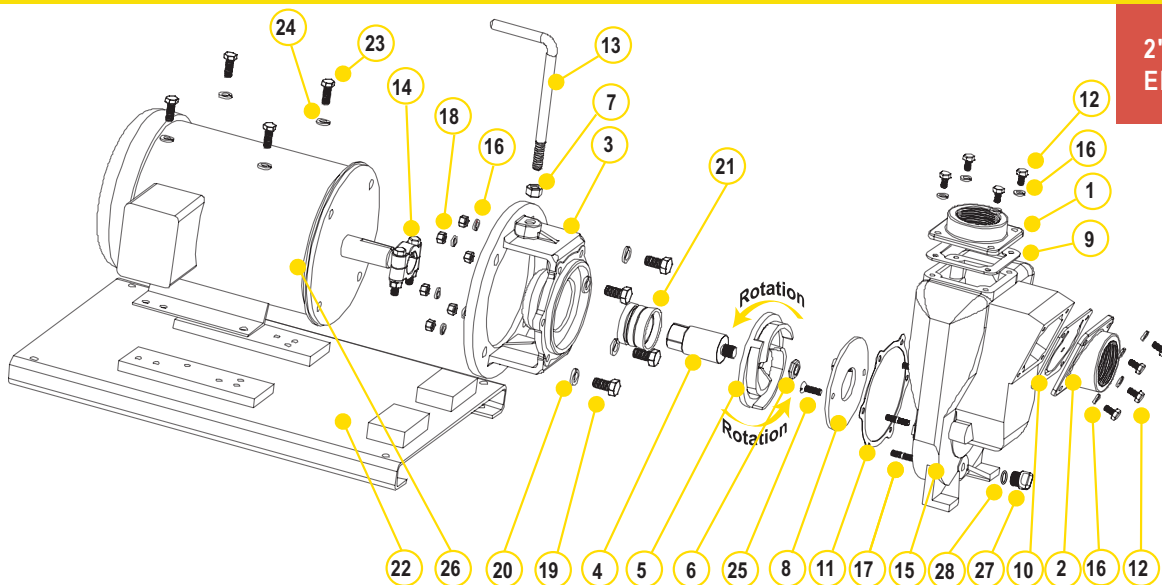
WARNING! DO NOT RUN PUMP DRY, RESTRICT OR REDUCE PORT SIZES OR DEAD HEAD PUMP



WARNING! DO NOT USE WITH FLAMMABLE LIQUIDS

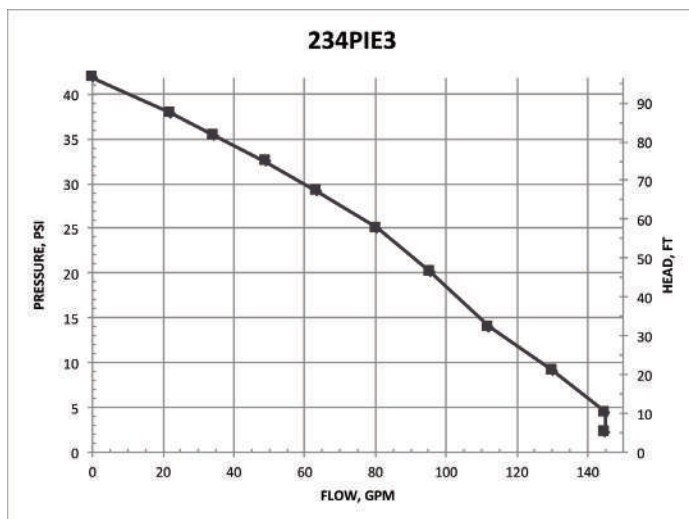
CENTRIFUGAL PUMPS

2" CAST IRON PUMPS WITH ELECTRIC MOTORS



REPLACEMENT PARTS 2" CAST IRON PUMPS

ITEM	PART NO	DESCRIPTION	QTY
1	17000	2" NPT OUTLET FLANGE	1
2	17002	2" NPT INLET FLANGE	1
3	17046	C-FACE ADAPTER (234PIE3)	1
3	17446	C-FACE ADAPTER	1
4	17007	IMPELLER SHAFT (234PIE3)	1
4	17406	IMPELLER SHAFT	1
5	17008	IMPELLER (234PIE3)	1
5	17408	IMPELLER	1
6	17009B	5/8" IMPELLER NUT	1
7	17010	1/2" HEX NUT	1
8	17011	WEAR PLATE	1
9	17013	OUTLET GASKET	1
10	17016	GASKET & CHECK VALVE	1
11	17018	GASKET ADAPTER	1
12	17019	BOLT	8
13	15022	HANDLE	1
14	17024	CLAMP ASSEMBLY W/KEY (234PIE3)	1
14	18129	CLAMP ASSEMBLY W/KEY	1
15	17026	PUMP HOUSING	1
16	V10118	5/16" LOCK WASHER	20
17	17042	HOUSING STUD	6
18	V10119	HEX NUT	8
19	N/A	BOLT	4
20	N/A	WASHER	4
21	17035	SEAL ASSEMBLY (234PIE3)	1
21	18025	SEAL ASSEMBLY	1
22	17701	BASE PLATE ASSEMBLY	1
23	17704	BOLT	4
24	V20018	3/8" LOCK WASHER	4
25	17130	5/16-18 X 1.00" FHSCS, 18-8 SS	2
26	N/A	ELECTRIC MOTOR	1
27	12777	1/2" PLUG	1
28	UV15163	O-RING FOR DRAIN PLUG	1



CENTRIFUGAL PUMPS

2" CAST IRON PUMPS WITH HYDRAULIC MOTORS

FEATURES

- Cast iron construction for rugged dependable service
- Stainless steel hardware
- Replaceable inlet and outlet flanges
- Dynamically balanced impeller
- Hydraulic fluid capacity is minimum 6 gallons and maximum 10 gallons
- Open or closed system
- 12 HP motor
- Recommendation to use the motor spool control valve or a suitable equivalent. The lack of such a valve in this circuit may cause failure to the hydraulic motor.



2" CAST IRON PUMPS WITH HYDRAULIC MOTOR

PART NO	DESCRIPTION	HP	QTY
200PIHY	2" CAST IRON PUMP ONLY WITH HYDRAULIC MOTOR	12	1

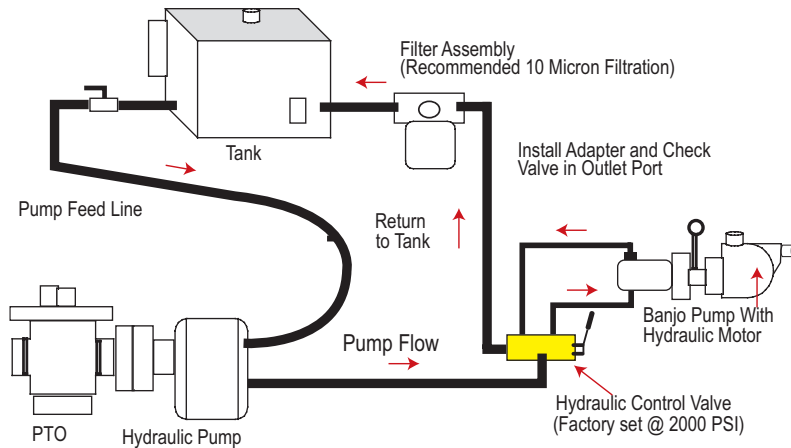


WARNING! DO NOT RUN PUMP DRY, RESTRICT OR REDUCE PORT SIZES OR DEAD HEAD PUMP



WARNING! DO NOT USE WITH FLAMMABLE LIQUIDS

SPOOL VALVE ASSEMBLY DIAGRAM

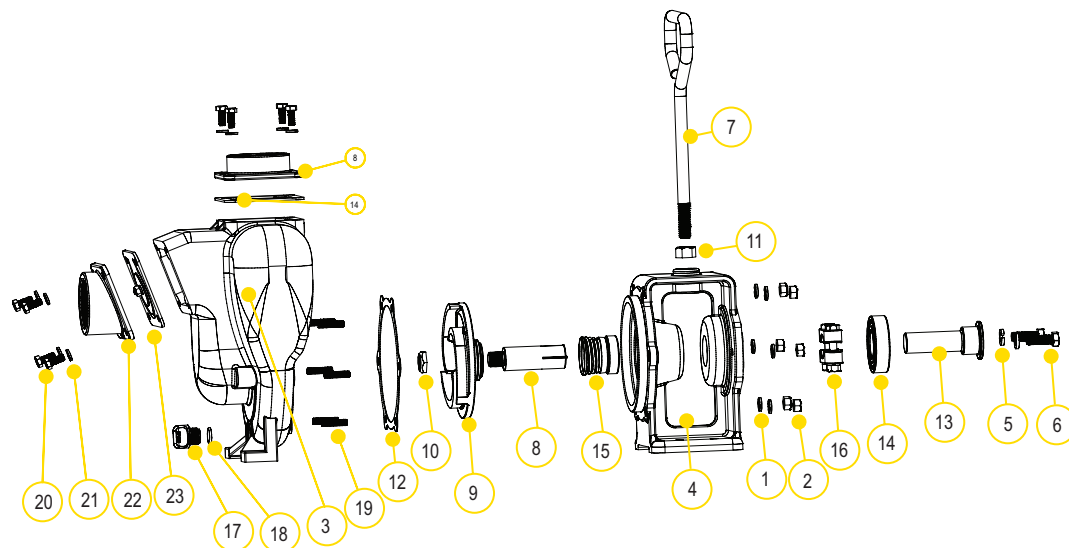


HYDRAULIC MOTOR SPOOL VALVE

PART NO	DESCRIPTION	HP	QTY
HSV1000	HYDRAULIC MOTOR SPOOL VALVE	N/A	1

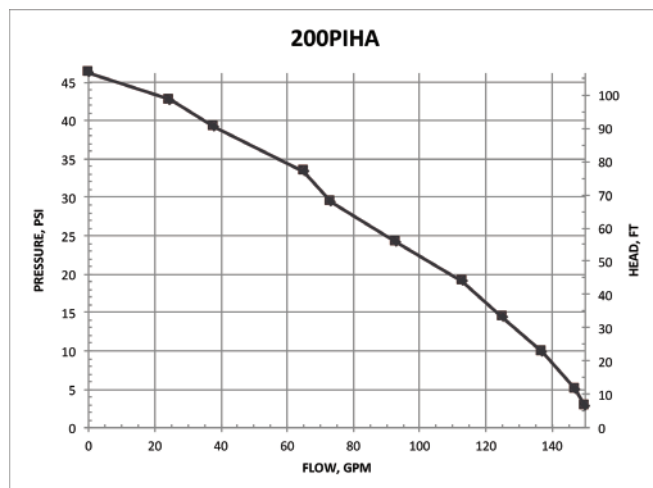
CENTRIFUGAL PUMPS

2" CAST IRON PUMPS WITH HYDRAULIC MOTORS



REPLACEMENT PARTS 2" CAST IRON PUMPS

ITEM	PART NO	DESCRIPTION	QTY
1	V10118	5/16" SPLIT LOCK WASHER	6
2	V10119	5/16"-18 HEX NUT	6
3	17026	PUMP HOUSING	1
4	N/A	HYDRAULIC ADAPTER	1
5	V20018	3/8" LOCK WASHER	2
6	18010SS	3/8"-16 X 1.25" HHCS	2
7	15022	HANDLE	1
8	17007	7/8" SLEEVE DRIVE FOR HYDRAULIC MOTOR	1
9	17008	5" IMPELLER	1
10	17009B	5/8" IMPELLER NUT	1
11	17010	1/2" HEX NUT - 13UNF-RH	1
12	17018	GASKET ADAPTER	1
13	17055A	HYDRAULIC ADAPTER SHAFT	1
14	17056	SKF 6206-2RS1 BEARING	1
15	17035	FKM SEAL ASSEMBLY	1
16	17024	7/8" CLAMP, NO KEY	1
17	12777	1/2" PLUG	1
18	UV15163	O-RING	1



CENTRIFUGAL PUMPS

2" 222 SERIES CAST IRON PUMPS

FEATURES

- Cast iron construction for rugged dependable service
- Carbon ceramic seal with stainless steel cup and spring with FKM rubber
- Replaceable inlet and outlet flanges
- Dynamically balanced impeller
- Heavy duty slinger seal on motor shaft
- Large weep holes between pump end and engine
- Pump only packs complete and ready for attachment to gasoline engine
- Pedestal pump for long coupling to electric motor
- Recommendation for 3/4" shaft: 5 HP, 3600 RPM
- Due to weight and size of pumps, Banjo ships these by truck only.
- Engine warranty service available at authorized dealers



WARNING! DO NOT RUN PUMP DRY, RESTRICT OR REDUCE PORT SIZES OR DEAD HEAD PUMP



WARNING! DO NOT USE WITH FLAMMABLE LIQUIDS



POWERED by **HONDA**

222 SERIES CAST IRON PUMPS W/GAS ENGINES

PART NO	DESCRIPTION	HP	QTY
222PIH5	2" CAST IRON PUMP W/5.5 HP HONDA® ENGINE	5.5	1
222PIH6	2" CAST IRON PUMP W/6.5 HP HONDA® ENGINE	6.5	1
222PIH5E	2" CAST IRON PUMP W/5.5 HP HONDA® ENGINE W/ ELECTRIC START	5.5	1
222PI6PRO	2" CAST IRON PUMP W/6.5 HP BRIGGS & STRATTON® ENGINE PRO SERIES	6.5	1



222 SERIES CAST IRON PUMP ONLYS

PART NO	DESCRIPTION	HP	QTY
222POI	2" CAST IRON PUMP ONLY W/ FULL IMPELLER	N/A	1

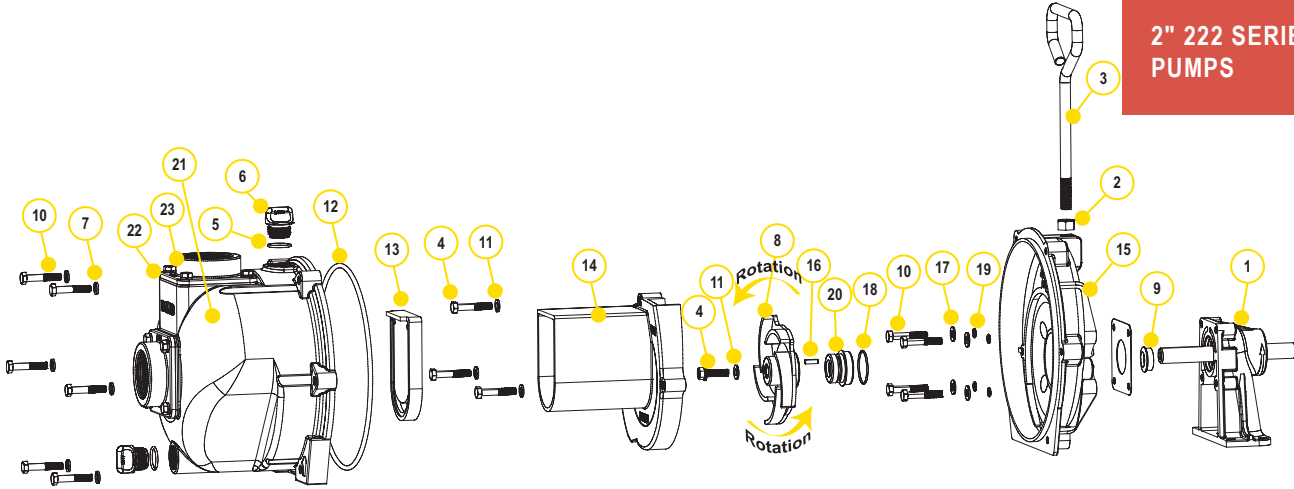


222 SERIES CAST IRON BEARING PEDESTAL

PART NO	DESCRIPTION	HP	QTY
222PBI	2" CAST IRON BEARING PEDESTAL W/ 3/4" STRAIGHT KEYED SHAFT	N/A	1

CENTRIFUGAL PUMPS

2" 222 SERIES CAST IRON PUMPS

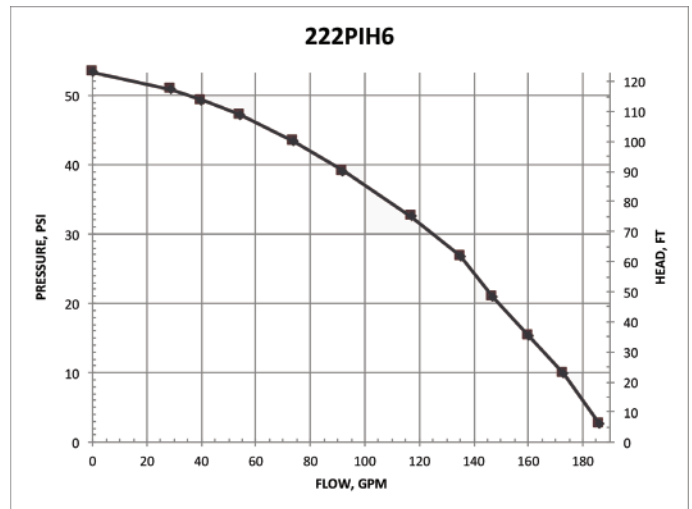


REPLACEMENT PARTS 2" CAST IRON PUMPS

ITEM	PART NO	DESCRIPTION	QTY
1	12882A	BEARING PEDESTAL ASSEMBLY	1
1	12600B	HYDRAULIC PEDESTAL ASSEMBLY	1
2	17010	1/2" JAM NUT	1
3	15022	HANDLE	1
4	12765A	5/16" - 24 X 1.12 IMPELLER BOLT	1
5	13778	O-RING	2
6	13777	3/4" PLUG	2
7	V10118	5/16" LOCK WASHER	9
8	15772	5 VANE IMPELLER	1
9	12716	PUMP SLINGER	1
10	12715A	5/16" - 24 X 1.75 HHCS	13
11	A204	O-RING	1
12	12719A	BODY O-RING	1
13	12705	CHECK VALVE	1
14	15702	VOLUTE	1
15	15703	REAR BRACKET	1
16	12902A	3/16" SQ X 5/8" KEY	1
17	12901	5/16" FLAT WASHER	4
18	12710	O-RING	1
19	12717	O-RING	4
20	12713V	SEAL ASSEMBLY	1
20	N/A	SEVERE DUTY SEAL	1
21	15712	BODY	1
22	17013	FLANGE GASKET	2
23	17000	2" NPT THREADED FLANGE	2
24	17019	5/16" - 18 X 0.75 HHCS	8
25	V10118	5/16" LOCK WASHER	8
N/S	12099	7/16"-14 X 1.25" HHCS	1
N/S	15751	BRACKET SHIM	1
N/S	15752	IMPELLER SHIM	1
N/S	17033	Z-RAILS	1 PAIR
N/S	N/A	5/16" - 18 X 1 3/4" ZINC PLATED	4
N/S	V10119	5/16" -18 HEX NUT	4
N/S	V10118	5/16" LOCK WASHER	4
N/S	15000	REPAIR KIT (ITEMS 5, 8, 11-12, 18-20, 12099, 15751 & 15752)	1
N/S	15000V	FKM REPAIR KIT	1
N/S	15999	SEAL KIT (ITEMS 5, 11-12, 18-20, 12099, 15751 & 15752)	1
N/S	15999V	FKM SEAL KIT	1

KITS 222 CAST IRON PUMPS

PART NO	EPDM REPAIR KIT NO	FKM REPAIR KIT NO	EPDM SEAL KIT NO	FKM SEAL KIT NO
222PIH5	15000	15000V	15999	15999V
222PIH6	15000	15000V	15999	15999V
222PIH5E	15000	15000V	15999	15999V
222PI6PRO	15000	15000V	15999	15999V
222POI	15000	15000V	15999	15999V
222PBI	15000	15000V	15999	15999V



CENTRIFUGAL PUMPS

2" 222 SERIES CAST IRON PUMPS WITH ELECTRIC MOTORS

FEATURES

- Cast iron construction for rugged dependable service
- Carbon ceramic seal with stainless steel cup and spring with FKM rubber
- Replaceable inlet and outlet flanges
- Dynamically balanced impeller
- Heavy duty slinger seal on motor shaft
- Large weep holes between pump end and engine
- Motor features include pressure cast aluminum end plates with ribbed design for rigidity, heavy gauge steel frame, 230 volt, with inverter spike resistance magnet wire
- Due to weight and size of pumps, Banjo ships these by truck only.



222 SERIES CAST IRON PUMPS W/ELECTRIC MOTORS

PART NO	DESCRIPTION	HP	QTY
222PIE5	2" CAST IRON PUMP W/5 HP THREE PHASE ELECTRIC MOTOR	5	1
222PIE1	2" CAST IRON PUMP W/5 HP SINGLE PHASE ELECTRIC MOTOR	5	1



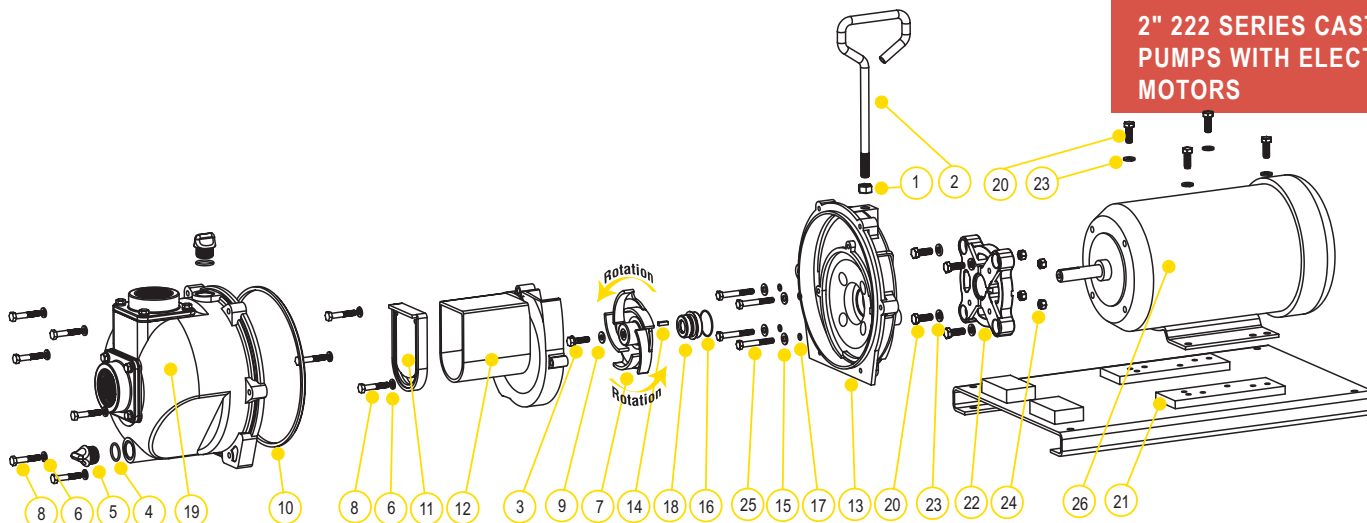
WARNING! DO NOT RUN PUMP DRY, RESTRICT OR REDUCE PORT SIZES OR DEAD HEAD PUMP



WARNING! DO NOT USE WITH FLAMMABLE LIQUIDS

CENTRIFUGAL PUMPS

2" 222 SERIES CAST IRON PUMPS WITH ELECTRIC MOTORS

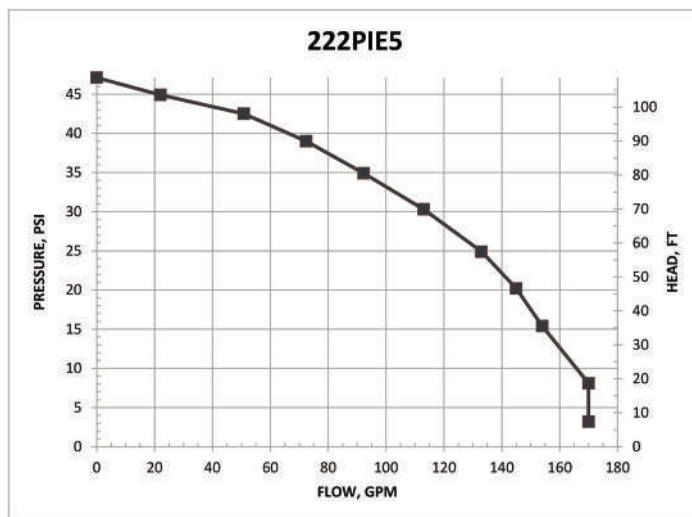


REPLACEMENT PARTS 222 SERIES CAST IRON PUMPS

ITEM	PART NO	DESCRIPTION	QTY
1	17010	1/2" JAM NUT	1
2	15022	HANDLE	1
3	12765A	5/16" - 24 X 1.12 IMPELLER BOLT	1
4	13778	O-RING	2
5	13777	3/4" PLUG	2
6	V10118	5/16" LOCK WASHER	9
7	15772	5 VANE IMPELLER	1
8	12715A	5/16" - 24 X 1.75 HHCS	13
9	A204	O-RING	1
10	12719A	BODY O-RING	1
11	12705	CHECK VALVE	1
12	15702	VOLUTE	1
13	15703	REAR BRACKET	1
14	12902A	3/16" SQ. X 5/8" KEY	1
15	12901	5/16" FLAT WASHER	1
16	12710	O-RING	4
17	12717	O-RING	1
18	12713V	SEAL ASSEMBLY	4
18	N/A	SEVERE DUTY SEAL	1
19	15712	BODY	1
20	17704	3/16" - 16 X 1.25 HHCS BOLT	8
21	17701	C-FACED BASE PLATE	1
22	12046	56C ADAPTER	1
23	V20018	3/8" LOCK WASHER	8
24	V20019	3/8" 16 SS HEX NUT	4
25	N/A	5/16" - 18 X 2 1/4" HHCS BOLT	4
26	BEM5-182CZ	5 HP 3450 RPM THREE PHASE MOTOR	1
26	N/A	5 HP 3450 RPM SINGLE PHASE MOTOR	1
N/S	12099	7/16"-14 X 1.25" HHCS	1
N/S	15751	BRACKET SHIM	1
N/S	15752	IMPELLER SHIM	1
N/S	12756	ADAPTER KIT (ITEMS 14, 20, 22, 23, 12052, 12053, 15751, 15752, 17029)	1
N/S	15000	REPAIR KIT (ITEMS 4,7,9-11,14,16-18,12099,15751 & 15752)	1
N/S	15000V	FKM REPAIR KIT	1
N/S	15999	SEAL KIT (ITEMS 4, 9-11, 14,16-18,12099,15751 & 15752)	1
N/S	15999V	FKM SEAL KIT	1

KITS 222 CAST IRON PUMPS

PART NO	EPDM REPAIR KIT NO	FKM REPAIR KIT NO	EPDM SEAL KIT NO	ADAPTER KIT NO
222PIE5	15000	15000V	15999	12756
222PIE51	15000	15000V	15999	12756

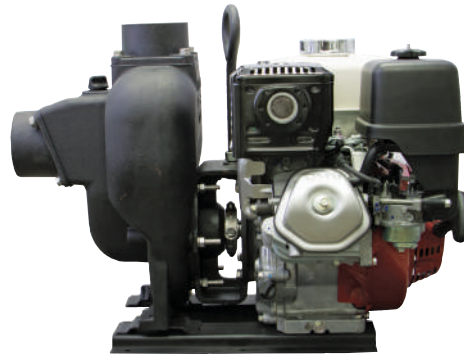


CENTRIFUGAL PUMPS

3" CAST IRON PUMPS

FEATURES

- Cast iron construction for rugged dependable service
- Stainless steel shaft sleeve to protect engine shaft
- Carbon ceramic seal with stainless steel cup and spring with FKM rubber
- Replaceable inlet and outlet flanges
- Dynamically balanced impeller
- Pump only packs complete and ready for attachment to gasoline engine
- Bearing pedestal pump for long coupling to electric motor
- Recommendation for 1" shaft: 184TC frame size, 7½ HP, 3450 RPM for close coupling to electric motors
- Engine warranty service available at authorized dealers
- Due to weight and size of pumps, Banjo ships these by truck only.



3" CAST IRON PUMP W/GAS ENGINES

PART NO	DESCRIPTION	HP	QTY
300PIH-8	3" CAST IRON PUMP W/8 HP HONDA® ENGINE W/ELECTRIC START & PULL ROPE	8	1
300PIH13	3" CAST IRON PUMP W/13 HP HONDA® ENGINE W/ELECTRIC START & PULL ROPE	13	1



3" CAST IRON PUMP ONLY

PART NO	DESCRIPTION	HP	QTY
300POI	3" CAST IRON PUMP ONLY W/ 1" SHAFT SLEEVE	N/A	1



WARNING! DO NOT RUN PUMP DRY, RESTRICT OR REDUCE PORT SIZES OR DEAD HEAD PUMP

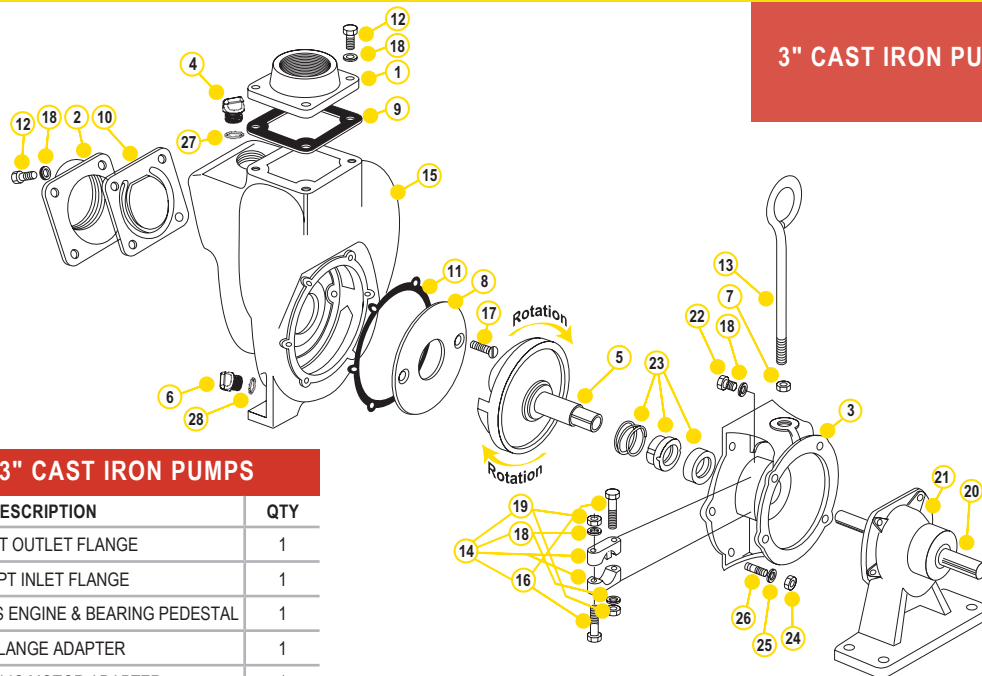


WARNING! DO NOT USE WITH FLAMMABLE LIQUIDS



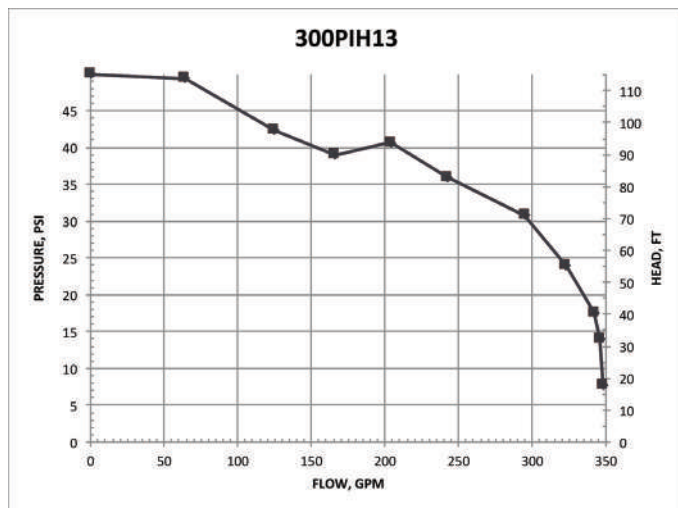
3" CAST IRON BEARING PEDESTAL

PART NO	DESCRIPTION	HP	QTY
300PBI	3" CAST IRON BEARING PEDESTAL W/ 1" STRAIGHT SHAFT	N/A	1



REPLACEMENT PARTS 3" CAST IRON PUMPS

ITEM	PART NO	DESCRIPTION	QTY
1	18008	3" NPT OUTLET FLANGE	1
2	18012	3" NPT INLET FLANGE	1
3	18026	ADAPTER FOR GAS ENGINE & BEARING PEDESTAL	1
3	18048	C-FLANGE ADAPTER	1
3	18049	HYDRAULIC MOTOR ADAPTER	1
N/S	18055	HYDRAULIC ADAPTER SHAFT	1
4	13777	3/4" PLUG	1
5*	18023SS	1" IMPELLER & DRIVE SHAFT FOR GAS ENGINE	1
5	18023-1.125	1 1/8" IMPELLER & DRIVE SHAFT FOR ELECTRIC MOTOR	1
6	12777	1/2" PLUG	1
7	18034	5/8" SS JAM NUT	1
8	18004	WEAR PLATE	1
9	18009	EPDM OUTLET GASKET	1
10	18013	GASKET CHECK VALVE ASSEMBLY	1
11	18021	ADAPTER GASKET	1
12	18010SS	3/8" - 16 X 1 1/8" SS CAP SCREW HXHD	8
13	18033	HANDLE	1
14	18029	CLAMP ASSEMBLY (OLD STYLE)	1
14	18129	CLAMP ASSEMBLY (NEW STYLE)	1
15	18001	PUMP HOUSING	1
16	N/A	3/8" - 24 X 2 1/4" BOLT	2
17	18106	WEAR PLATE FLAT HEAD SCREW	2
18	V20018	3/8" LOCK WASHER	8
19	N/A	3/8" X 24 SS HEX NUT	2
20	18504	1" SHAFT	1
21	18500	BEARING PEDESTAL	1
N/S	18502	BEARING SKF 66306-2RS1/C3	2
22	17704	BOLT	4
23*	18025	FKM SEAL ASSEMBLY	1
23	18025SD	SEVERE DUTY SEAL	1
24	V20019	3/8" 16 SS HEX NUT	6
25	V20018	3/8" SS LOCK WASHER	6
26	18218	3/8" - 16 X 24 X 2 1/8" SS STUD	6
27	13778	O-RING	1
28	UV15163	O-RING	1
N/S	18035	Z-RAIL MOUNTING BRACKET (PAIR)	1
N/S	18100	REPAIR KIT (CONSIST OF ITEMS 5*, 8, 11, 17, 23*)	1



CENTRIFUGAL PUMPS

3" CAST IRON WET SEAL PUMPS

FEATURES

- Cast iron construction for rugged dependable service
- Run dry capability
- Stainless steel hardware
- Double seal contained in ethylene glycol reservoir
- Replaceable inlet and outlet flanges
- Dynamically balanced impeller
- Pump only packs complete and ready for attachment to gasoline engine
- Pedestal pump for long coupling to electric motor
- Due to weight and size of pumps, Banjo ships these by truck only.



3" CAST IRON WET SEAL PUMPS W/GAS ENGINES

PART NO	DESCRIPTION	HP	QTY
301PIH13W	3" CAST IRON WET SEAL PUMP W/13 HP HONDA® ENGINE W/ ELECTRIC START & PULL ROPE	13	1



WARNING! DO NOT USE WITH FLAMMABLE LIQUIDS



3" CAST IRON WET SEAL PUMP ONLY

PART NO	DESCRIPTION	HP	QTY
301POIW	3" CAST IRON WET SEAL PUMP ONLY	N/A	1

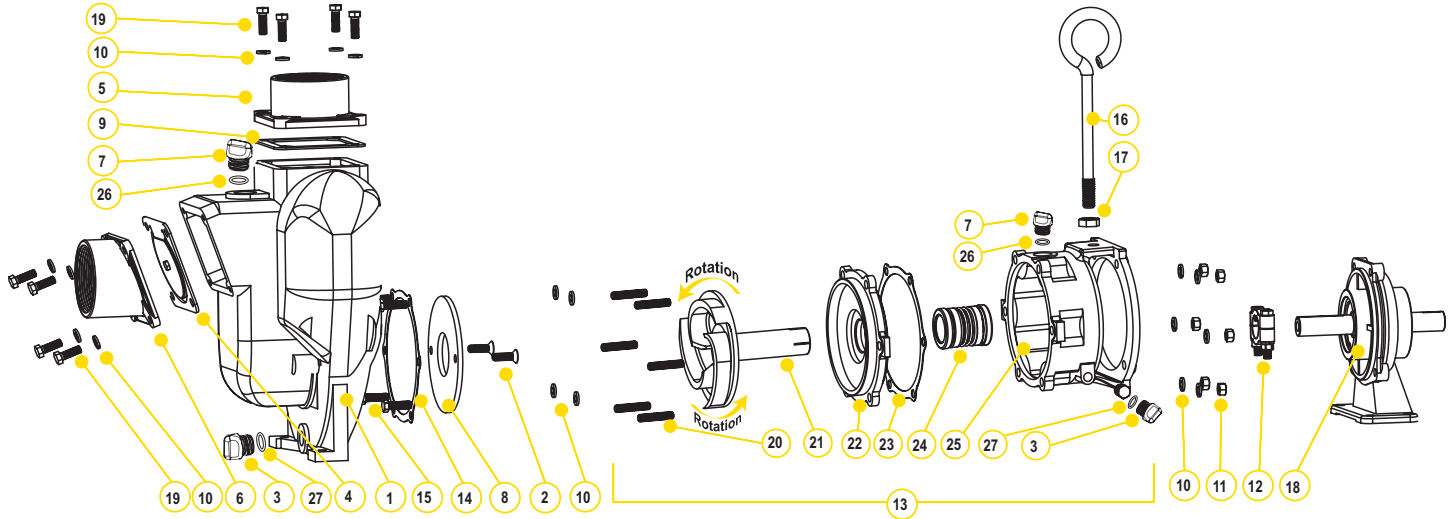


3" CAST IRON WET SEAL PUMP BEARING PEDESTAL

PART NO	DESCRIPTION	HP	QTY
301PBIW	3" CAST IRON WET SEAL PUMP WITH BEARING PEDESTAL	N/A	1

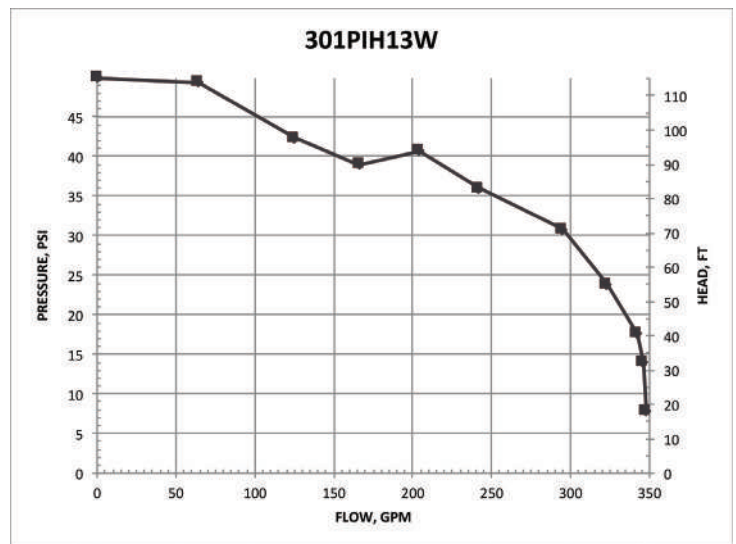
CENTRIFUGAL PUMPS

3" CAST IRON WET SEAL PUMPS



REPLACEMENT PARTS 3" CAST IRON PUMPS

ITEM	PART NO	DESCRIPTION	QTY
1	18001	PUMP HOUSING	1
2	18106	FLAT HEAD SOCKET CAP SCREW	2
3	12777	1/2" PLUG	2
4	18013	INLET/CHECK EPDM GASKET	1
5	18008	3" NPT OUTLET FLANGE	1
6	18012	3" NPT INLET FLANGE	1
7	13777	3/4" PLUG	2
8	18004	WEAR PLATE	1
9	18009	EPDM OUTLET GASKET	1
10	V20018	3/8" LOCK WASHER	18
11	V20019	3/8" 16 SS HEX NUT	6
12	18129	CLAMP ASSEMBLY KEYED	1
13	18200A	WET SEAL ASSEMBLY	1
14	18021	ADAPTER GASKET	1
15	17704	3/8" -16 X 1 1/4" HHCS	4
16	18033	HANDLE	1
17	18034	5/8" -11 JAM NUT	1
18	18500	BEARING PEDESTAL	1
19	18010SS	3/8" - 16 X 1 1/8" HHCS	8
20	18218	3/8" -16 X 24 X 2 1/8" SS STUD	6
21	18206	IMPELLER	1
22	18202A	COVER PLATE	1
23	18021	ADAPTER GASKET	1
24	15035E	EPDM MECHANICAL SEAL ASSEMBLY	1
25	18203A	WET SEAL RESERVOIR	1
26	13778	O-RING	2
27	UV15163	O-RING	2

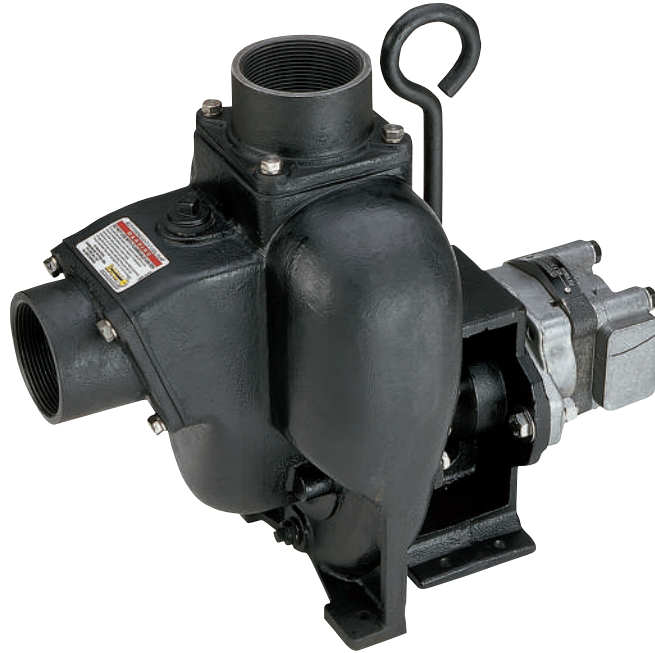


CENTRIFUGAL PUMPS

3" CAST IRON PUMPS WITH HYDRAULIC MOTORS

FEATURES

- Cast iron construction for rugged dependable service
- Stainless steel hardware
- Replaceable inlet and outlet flanges
- Dynamically balanced impeller
- Hydraulic fluid capacity is minimum 9 gallons and maximum 13 gallons
- Open or closed system
- 21 HP motor
- Recommendation to use the motor spool control valve or a suitable equivalent. The lack of such a valve in this circuit may cause failure to the hydraulic motor.



3" CAST IRON PUMPS W/ HYDRAULIC MOTORS

PART NO	DESCRIPTION	HP	QTY
300PIHY	3" CAST IRON PUMP W/ 21 HP HYDRAULIC MOTOR	21	1

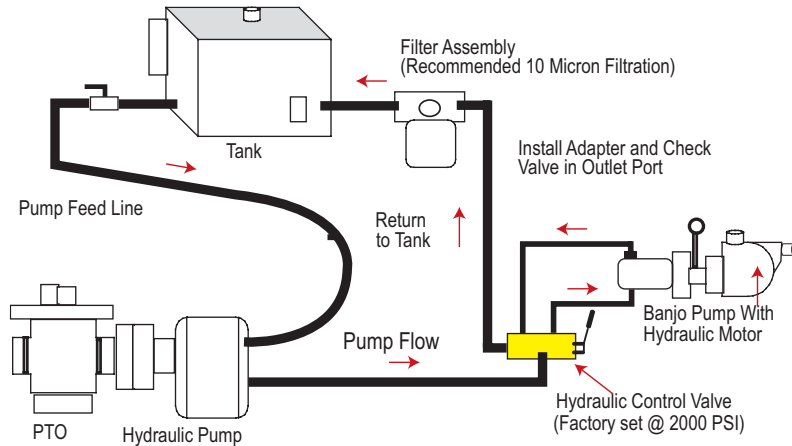


WARNING! DO NOT RUN PUMP DRY, RESTRICT OR REDUCE PORT SIZES OR DEAD HEAD PUMP



WARNING! DO NOT USE WITH FLAMMABLE LIQUIDS

SPOOL VALVE ASSEMBLY DIAGRAM

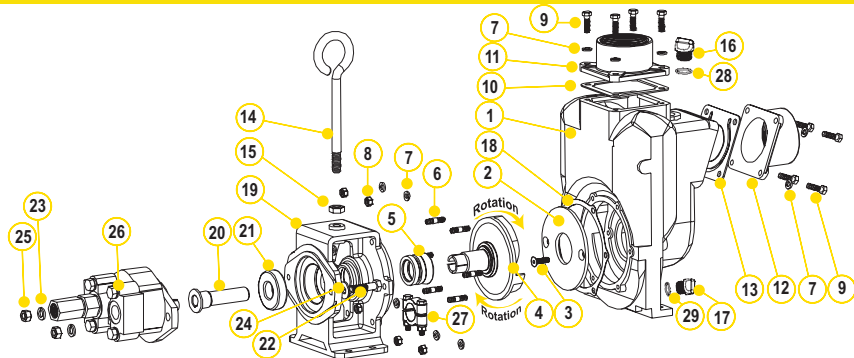


HYDRAULIC MOTOR SPOOL VALVE

PART NO	DESCRIPTION	HP	QTY
HSV1000	HYDRAULIC MOTOR SPOOL VALVE	N/A	1

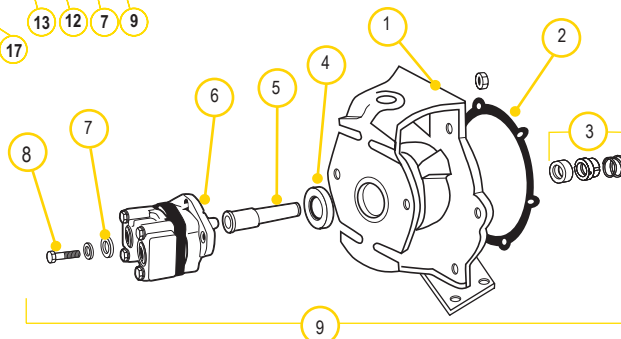
CENTRIFUGAL PUMPS

3" CAST IRON PUMPS WITH HYDRAULIC MOTORS



REPLACEMENT PART 3" CAST IRON PUMPS

ITEM	PART NO	DESCRIPTION	QTY
1	18001	PUMP HOUSING	1
2	18004	WEAR PLATE	1
3	18106	3/8" - 16 X 1.25" HHCS	2
4	18023SS	1" IMPELLER & DRIVE SHAFT FOR GAS ENGINE	1
5	18025	FKM MECHANICAL SEAL	1
5	18025SD	SEVERE DUTY SEAL	1
6	18218	3/8" -16 X 24 X 2 1/8" SS STUD	6
7	V20018	3/8" LOCK WASHER	14
8	V20019	3/8" 16 SS HEX NUT	6
9	18010SS	3/8" - 16 X 1.25" HHCS	8
10	18009	EPDM OUTLET GASKET	1
11	18008	3" NPT OUTLET FLANGE	1
12	18012	3" NPT INLET FLANGE	1
13	18013	INLET/CHECK EPDM GASKET	1
14	18033	HANDLE	1
15	18034	5/8" -11 HEX NUT	1
16	13777	3/4" PLUG	1
17	12777	1/2" PLUG	1
18	18021	ADAPTER GASKET	1
19	18049	HYDRAULIC MOTOR ADAPTER	1
20	18055	HYDRAULIC ADAPTER SHAFT	1
21	18502	BEARING SKF 66306-2RS1/C3	1
22	18056	1/2" -13 X 2" HHCS	2
23	N/A	1/2" SPLIT WASHER	2
24	N/A	1/2" FLAT WASHER	2
25	17010	1/2" - 13 HEX NUT	2
26	HY1012	UM16-45A-HX HYDRAULIC MOTOR ASSEMBLY	1
27	18029	CLAMP ASSEMBLY UNKEYED	1
28	13778	O-RING	1
29	UV15163	O-RING	1
KIT	18100	REPAIR KIT (CONSIST OF 2, 3, 4, 5, 18)	1



REPLACEMENT PARTS 3" HYDRAULIC ADAPTER

ITEM	PART NO	DESCRIPTION	QTY
1	18049	C-FACE HYDRAULIC MOTOR ADAPTER	1
2	18021	GASKET ADAPTER	1
3	18025	SEAL ASSEMBLY	1
4	18502	SKF 63306-2RS1/C3 BEARING	1
5	18055	HYDRAULIC ADAPTER SHAFT SLEEVE	1
6	HY1012	TYRONE® UM16 HYDRAULIC MOTOR	1
7	N/A	1/2" FLAT WASHER	2
8	N/A	1/2" SPLIT LOCK WASHER	2
9	18056	1/2" - 13" X 2" HHCS BOLT	2
10	17010	1/2" HEX NUT	2
11	18600	HYDRAULIC MOTOR ADAPTER ASSEMBLY	1
KIT	HY1001	REPAIR KIT	1

HYDRAULIC MOTOR DATA

U.S. GALLONS/REV.	0.0038
CUBIC INCHES/REV.	0.878
LITERS/REV.	0.0144
MAX HYDRAULIC PRESSURE	3000 PSI
MIN HYDRAULIC PRESSURE	600 PSI
INLET PORT	1-1/16-12UN-2B
OUTLET PORT	1-5/16-12UN-2B
MINIMUM GPM REQUIRED	9 GPM 2370 RPM
MAXIMUM GPM REQUIRED	13 GPM 3450 RPM
IDEAL GPM REQUIRED	9 GPM 3600 RPM

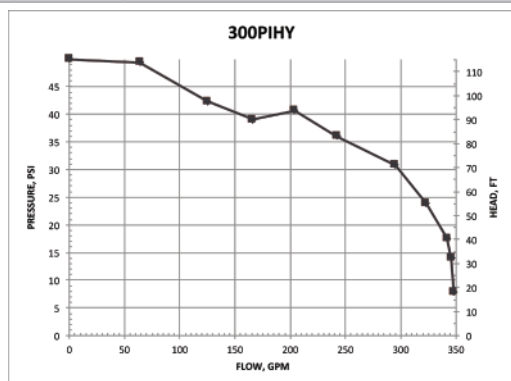
CONNECTION INFORMATION

INLET	"A" PORT
OUTLET	"B" PORT

SUPPLIED CHECK VALVE IS TO ENSURE PROPER ROTATION OF THE BANJO PUMP. PLACE CHECK VALVE IN OUTLET PORT (MARKED "B") FOR PROPER RIGHT HAND ROTATION. IT IS RECOMMENDED THAT A MINIMUM 3/4" INLET LINE & A MINIMUM 1" OUTLET LINE BE USED. THE OUTLET PORT MUST BE CONNECTED DIRECTLY BACK TO THE HYDRAULIC FLUID RESERVOIR & NOT TO ANY VALVING, REGULATORS OR FLOW DIVERTERS. THE OUTLET PORT/RETURN LINE BACK PRESSURE MUST NOT EXCEED 250 PSI.

SPOOL VALVE INFORMATION

REQUIRED OUTLET FLOW	MIN 9 GPM / MAX 13 GPM
REQUIRED SYSTEM PRESSURE	MIN 600 PSI / MAX 3000 PSI



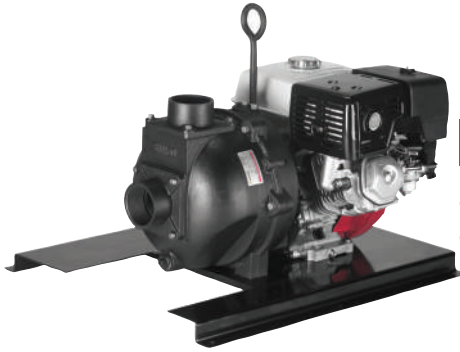
CENTRIFUGAL PUMPS

3" 333 SERIES CAST IRON PUMPS

POWERED by
HONDA

FEATURES

- Cast iron construction for rugged dependable service
- Carbon ceramic seal with stainless steel cup and spring with FKM rubber
- Replaceable inlet and outlet flanges
- Dynamically balanced impeller
- Heavy duty slinger seal on motor shaft
- Large weep holes between pump end and engine
- Pedestal pump for long coupling to electric motor
- Due to weight and size of pumps, Banjo ships these by truck only.
- Engine warranty service available at authorized dealers



333 SERIES CAST IRON PUMPS W/GAS ENGINES

PART NO	DESCRIPTION	HP	QTY
333PIH13	3" CAST IRON PUMP W/13 HP HONDA® ENGINE W/ ELECTRIC START & PULL ROPE	13	1



333 SERIES CAST IRON PUMP ONLYS

PART NO	DESCRIPTION	HP	QTY
333POI	3" CAST IRON PUMP ONLY W/1" SHAFT & 5 VANE IMPELLER UNASSEMBLED	N/A	1



333 SERIES CAST IRON BEARING PEDESTAL

PART NO	DESCRIPTION	HP	QTY
333PBI	3" CAST IRON BEARING PEDESTAL W/ 1" SHAFT	N/A	1



333 SERIES CAST IRON HYDRAULIC PUMPS

PART NO	DESCRIPTION	HP	QTY
333PIE15	3" CAST IRON PUMP W/15 HP THREE PHASE ELECTRIC MOTOR	15	1



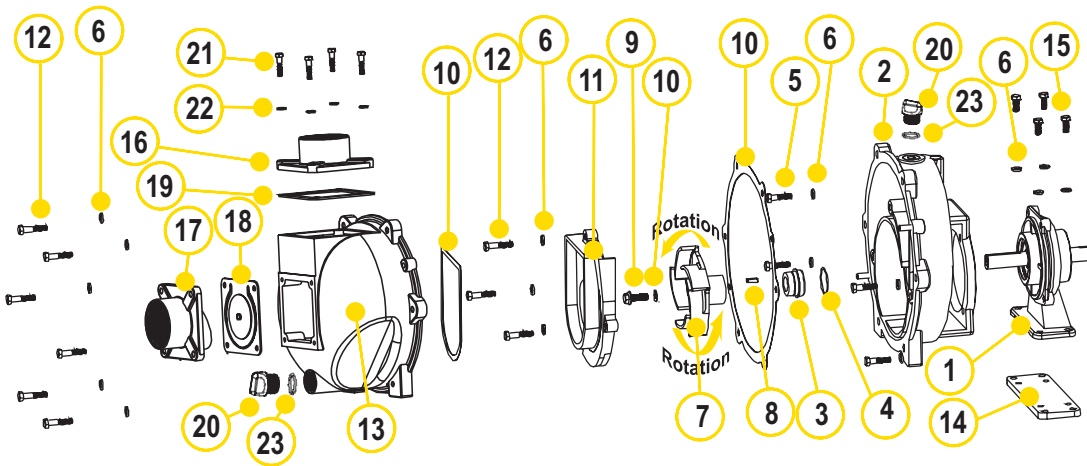
WARNING! DO NOT RUN PUMP DRY, RESTRICT OR REDUCE PORT SIZES OR DEAD HEAD PUMP



WARNING! DO NOT USE WITH FLAMMABLE LIQUIDS

CENTRIFUGAL PUMPS

3" 333 SERIES CAST IRON PUMPS

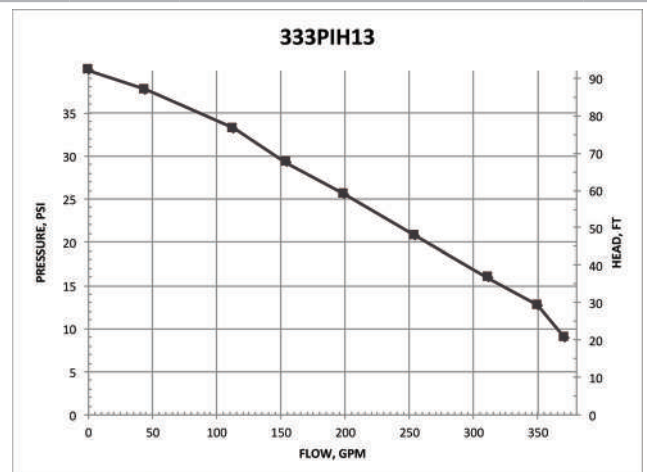


REPLACEMENT PARTS 3" CAST IRON PUMPS

ITEM	PART NO	DESCRIPTION	QTY
N/S	16099	IMPELLER REMOVAL BOLT	1
1	18500	BEARING PEDESTAL (333PBI)	1
2	16704	REAR BRACKET	1
3	16713	MECHANICAL SEAL	1
4	16710	O-RING	1
5	17704	3/8" - 16 X 1.25" SS CAP SCREW (333PBI)	4
6	V20018	3/8" SS LOCK WASHER	17
7	16773	3" IMPELLER (333PBI)	1
7	16774	3" IMPELLER (333PIH13 & 333POI)	1
7	16774A	3" IMPELLER (333PIE15)	1
8	16901	1/4" SQ. 3/4" KEY STOCK	1
9	16765	IMPELLER BOLT (333PBI)	1
9	13765	IMPELLER BOLT (333PIH13)	1
10	16019	GASKET SET	1
11	16702	VOLUTE	1
12	N/A	3/8" - 16 X 1.75" SS BOLT	9
13	16733	BODY	1
14	18511	ADAPTER PLATE (333PBI)	1
15	18512	3/8" - 16 X 0.875" SS HHCS (333PBI)	4
N/S	16751	BRACKET SHIM SET	1
N/S	16752	IMPELLER SHIM	1
N/S	18033	HANDLE	1
N/S	18034	5/8" SS JAM NUT	1
16	16001	3" NPT OUTLET FLANGE	1
17	16003	3" NPT INLET FLANGE	1
18	16706	FKM INLET GASKET W/ CHECK	1
19	16011	FKM OUTLET GASKET	1
20	13777	3/4" PLUG	2
21	18027	3/8" - 16 X 1.50" HHCS (333PIH13)	8
22	V20018	3/8" SS LOCK WASHER	8
23	13778	O-RING	2

REPLACEMENT PARTS 333PIE15

ITEM	PART NO	DESCRIPTION	QTY
N/S	16099	IMPELLER REMOVAL BOLT	1
2	16704A	REAR BRACKET W/C-FACE ADAPTER	1
3	15025	MECHANICAL SEAL	1
6	V20018	3/8" SS LOCK WASHER	8
7	N/A	3" IMPELLER - 5 VANE	1
8	N/A	1/4" SQ. 3/4" KEY STOCK	1
9	16765	7/16-20 1 1/4" HFS	1
10	16019	GASKET SET	1
11	16702	VOLUTE	1
12	N/A	3/8" - 16 X 1.75" SS BOLT	9
13	16733	BODY	1
N/S	16751	BRACKET SHIM SET	1
N/S	16752	IMPELLER SHIM	1
N/S	18033	HANDLE	1
N/S	18034	5/8" SS JAM NUT	1
16	16001	OUTLET FLANGE	1
17	16003	INLET FLANGE	1
18	16706	FKM INLET GASKET W/ CHECK	1
19	16011	FKM OUTLET GASKET	1
20	13777	3/4" PLUG	2
21	18027	3/8" - 16 X 1.50" HHCS	8
22	V20018	3/8" SS LOCK WASHER	4
23	13778	O-RING	2



CENTRIFUGAL PUMPS

3" M332 SERIES CAST IRON MANIFOLD WET SEAL PUMPS

FEATURES

- Run dry capability
- Cast iron construction for rugged dependable service
- Carbon ceramic seal with stainless steel cup and spring with EPDM rubber
- Replaceable inlet and outlet flanges
- Dynamically balanced impeller
- Heavy duty slinger seal on motor shaft
- Due to weight and size of pumps, Banjo ships these by truck only.
- Engine warranty service available at authorized dealers
- See pages 39-45 on manifold fittings for easy plumbing.



WARNING! DO NOT USE WITH FLAMMABLE LIQUIDS



M332 SERIES CAST IRON WET SEAL PUMPS W/GAS ENGINES

PART NO	DESCRIPTION	HP	QTY
M332PIH13W	3" MANIFOLD CAST IRON WET SEAL PUMP W/13 HP HONDA® ENGINE W/ELECTRIC START & PULL ROPE	13	1



M332 SERIES CAST IRON WET SEAL PUMPS W/ELECTRIC MOTORS

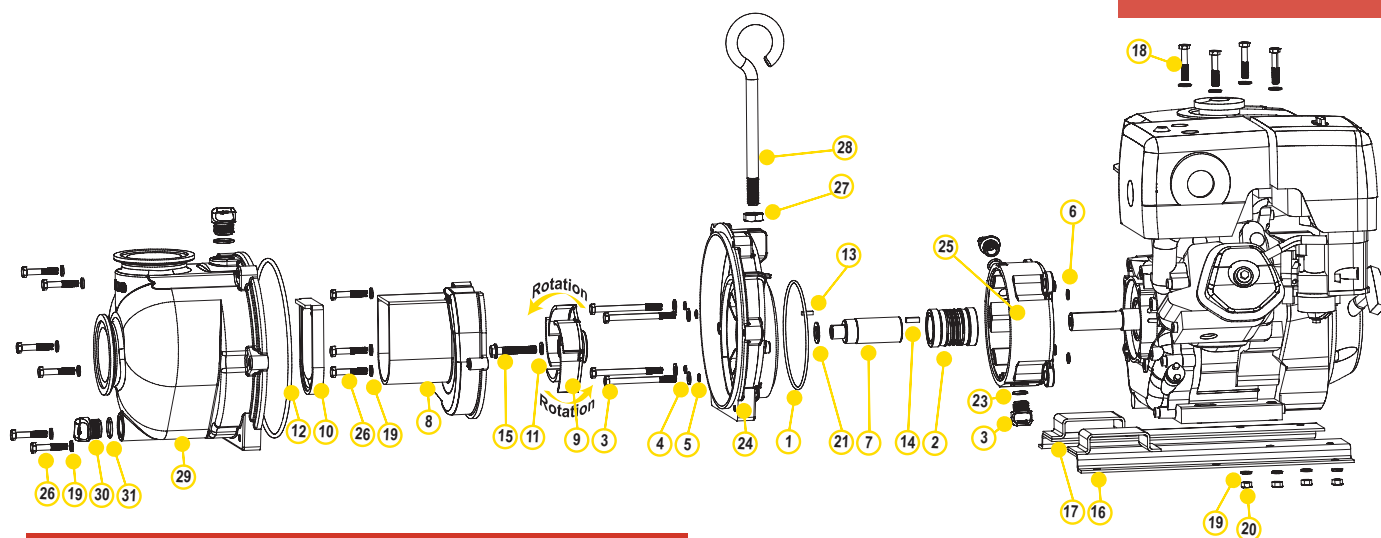
PART NO	DESCRIPTION	HP	QTY
M332PIE10W	3" MANIFOLD CAST IRON WET SEAL PUMP W/10HP THREE PHASE ELECTRIC MOTOR	10	1
M332PIE101W	3" MANIFOLD CAST IRON WET SEAL PUMP W/10HP SINGLE PHASE ELECTRIC MOTOR	10	1

M332 SERIES CAST IRON WET SEAL PUMP ONLY

PART NO	DESCRIPTION	HP	QTY
M332POIW	3" MANIFOLD CAST IRON WET SEAL PUMP ONLY	N/A	1

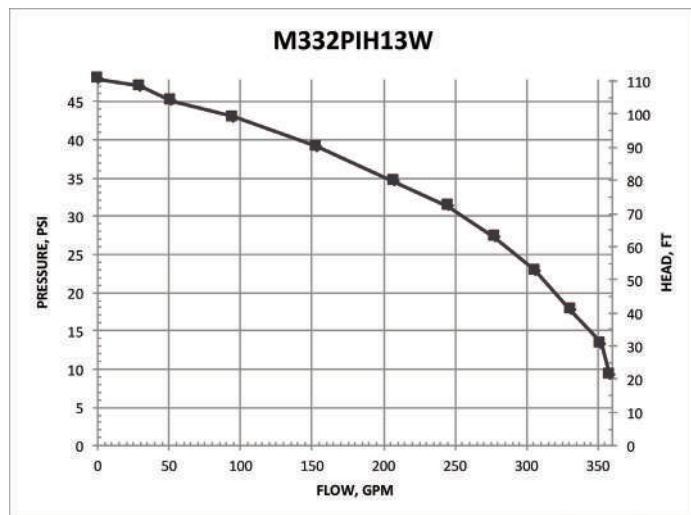
CENTRIFUGAL PUMPS

3" M332 SERIES CAST IRON MANIFOLD WET SEAL PUMPS



REPLACEMENT PARTS M332 SERIES CAST IRON PUMPS

ITEM	PART NO	DESCRIPTION	QTY
1	13719	O-RING	1
2	15035E	EPDM MECHANICAL SEAL ASSEMBLY	1
3	13034	5/16" - 24 X 3 3/4" HHCS	1
4	12901	5/16" FLAT WASHER	4
5	12717	O-RING FOR BRACKET SCREW	8
6	12709	O-RING	4
7	13055	ADAPTER SHAFT	4
8	19702	VOLUTE	1
9	19772SS	5 VANE IMPELLER	1
9	15772	IMPELLER (M332PBIW)	1
10	12705	CHECK VALVE	1
11	A204	O-RING	1
12	12719A	BODY O-RING	1
13	12902A	IMPELLER KEY	1
14	16901	1/4" SQ X 3/4" KEY STOCK	1
15	13766	3/8" - 24 X 2 1/4" HFS	1
16	N/A	Z-RAIL	1
17	N/A	Z-RAIL	1
18	N/A	5/16" - 18 X 1 1/4" HHCS	4
19	V10118	5/16" LOCK WASHER	13
20	V10119	5/16" HEX NUT	4
21	CV10175	GASKET	2
22	12777	1/2" PLUG	2
23	UV15163	O-RING	2
24	19703W	REAR BRACKET	1
25	19201W	WET SEAL RESERVOIR	1
26	12715A	5/16" - 24 X 1 3/4" HHCS	9
27	18034	5/8"-11 JAM NUT	1
28	18033	PUMP HANDLE	1
29	M19712X	PUMP BODY	1
30	13777	3/4" PLUG	2
31	13778	O-RING	2



CENTRIFUGAL PUMPS

3" M332 SERIES CAST IRON MANIFOLD WET SEAL PUMPS WITH HYDRAULIC MOTORS

FEATURES

- Run dry capability
- Cast iron construction for rugged dependable service
- Carbon ceramic seal with stainless steel cup and spring with EPDM rubber
- Replaceable inlet and outlet flanges
- Dynamically balanced impeller
- Heavy duty slinger seal on motor shaft
- Hydraulic fluid capacity is minimum 9 gallons and maximum 13 gallons
- Open or closed system
- 3600 R.P.M.
- Recommendation to use the motor spool control valve or a suitable equivalent. The lack of such a valve in this circuit may cause failure to the hydraulic motor.
- See pages 39-45 on manifold fittings for easy plumbing.



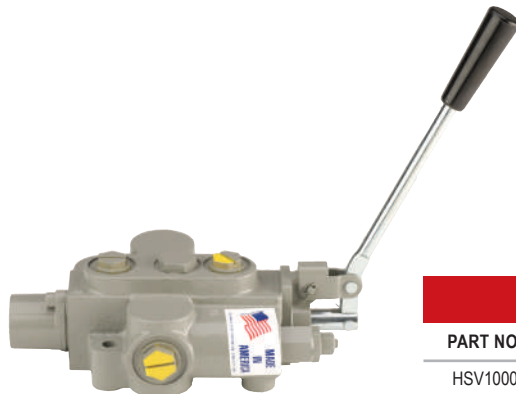
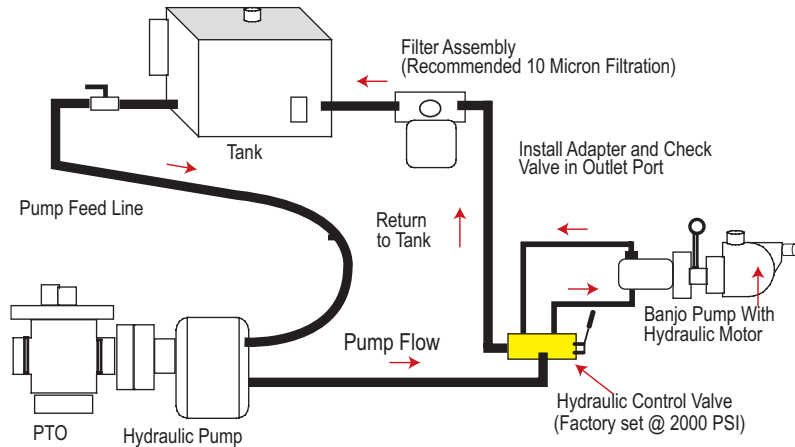
WARNING! DO NOT USE WITH FLAMMABLE LIQUIDS



M332 SERIES CAST IRON MANIFOLD WET SEAL PUMPS W/O HYDRAULIC MOTOR

PART NO	DESCRIPTION	HP	QTY
M332PIHYW	3" MANIFOLD CAST IRON WET SEAL PUMP W/ HYDRAULIC MOTOR	21	1
M332PIHAW	3" MANIFOLD CI WET SEAL PUMP WITHOUT HYDRAULIC MOTOR	N/A	1

SPOOL VALVE ASSEMBLY DIAGRAM

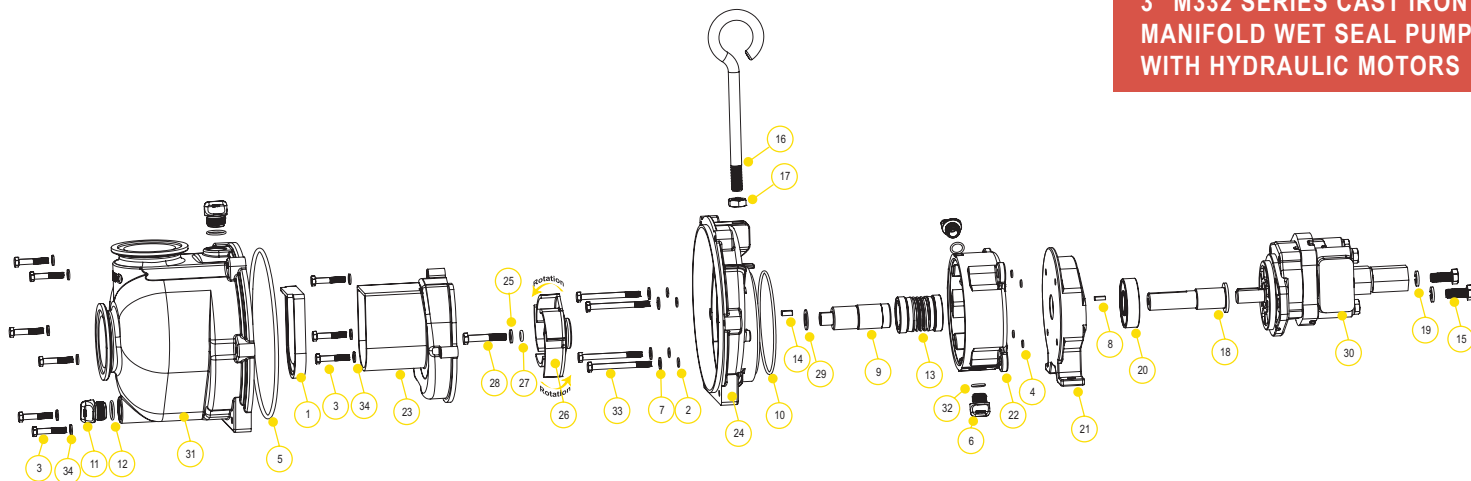


HYDRAULIC MOTOR SPOOL VALVE

PART NO	DESCRIPTION	HP	QTY
HSV1000	HYDRAULIC MOTOR SPOOL VALVE	N/A	1

CENTRIFUGAL PUMPS

3" M332 SERIES CAST IRON MANIFOLD WET SEAL PUMPS WITH HYDRAULIC MOTORS



REPLACEMENT PARTS M332 SERIES CAST IRON PUMPS

ITEM	PART NO	DESCRIPTION	QTY
1	12705	CHECK VALVE	1
2	12709	O-RING	4
3	12715A	SS BRACKET SCREWS-	9
4	12717	O-RING FOR SCREW HEAD	4
5	12719A	BODY O-RING	1
6	12777	1/2" PLUG	2
7	12901	SS REAR BRACKET WASHER	4
8	12902A	IMPELLER KEY	1
9	13055	ADAPTER SHAFT	1
10	13719	O-RING	1
11	13777	3/4" PLUG	2
12	13778	O-RING	2
13	15035E	EPDM MECHANICAL SEAL ASSEMBLY	1
14	16901	1/4" SQ. 3/4" KEY STOCK	1
15	N/A	BOLT	2
16	18033	HANDLE	1
17	18034	5/8" SS JAM NUT	1
18	18055H	HYDRAULIC MOTOR ADAPTER SHAFT	1
19	N/A	1/2" SPLIT LOCK WASHER	2
20	18502	SKF 63306-2RS1/C3 BEARING	1
21	19001H	RESERVOIR BACKING PLATE	1
22	19201W	WET SEAL RESERVOIR	1
23	19702	VOLUTE	1
24	19703W	REAR BRACKET	1
25	N/A	3/8" FLAT WASHER	1
26	19772SS	5 VANE IMPELLER	1
27	A204	O-RING	1
28	BF311	3/8" - 16 X 3" HHCS	1
29	CV10175	GASKET	1
30	HY1012	TYRONE® UM16 HYDRAULIC MOTOR	1
31	M19712X	PUMP BODY	1
32	UV15163	PRIME/DRAIN PLUG O-RING	2
33	V10118	5/16" SS LOCK WASHER	4
34	V10117	5/16" X 3 1/2" SS BODY BOLT	9

HYDRAULIC MOTOR DATA

U.S. GALLONS/REV.	0.0038
CUBIC INCHES/REV.	0.878
LITERS/REV.	0.0144
MAX HYDRAULIC PRESSURE	3000 PSI
MIN HYDRAULIC PRESSURE	600 PSI
INLET PORT	1-1/16-12UN-2B
OUTLET PORT	1-5/16-12UN-2B
MINIMUM GPM REQUIRED	9 GPM 2370 RPM
MAXIMUM GPM REQUIRED	13 GPM 3450 RPM
IDEAL GPM REQUIRED	9 GPM 3600 RPM

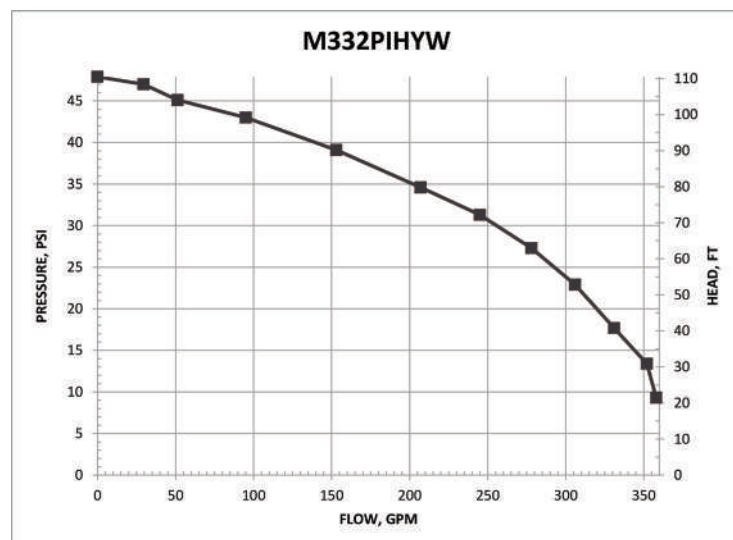
CONNECTION INFORMATION

INLET	"A" PORT
OUTLET	"B" PORT

SUPPLIED CHECK VALVE IS TO ENSURE PROPER ROTATION OF THE BANJO PUMP. PLACE CHECK VALVE IN OUTLET PORT (MARKED "B") FOR PROPER RIGHT HAND ROTATION. IT IS RECOMMENDED THAT A MINIMUM 3/4" INLET LINE & A MINIMUM 1" OUTLET LINE BE USED. THE OUTLET PORT MUST BE CONNECTED DIRECTLY BACK TO THE HYDRAULIC FLUID RESERVOIR & NOT TO ANY VALVING, REGULATORS OR FLOW DIVERTERS. THE OUTLET PORT/RETURN LINE BACK PRESSURE MUST NOT EXCEED 250 PSI.

SPOOL VALVE INFORMATION

REQUIRED OUTLET FLOW	MIN 9 GPM / MAX 13 GPM
REQUIRED SYSTEM PRESSURE	MIN 600 PSI / MAX 3000 PSI



CENTRIFUGAL PUMPS

4" 444 SERIES CAST IRON PUMPS

FEATURES

- Cast iron construction for rugged dependable service
- Carbon ceramic seal with stainless steel cup and spring with FKM rubber
- Replaceable inlet and outlet flanges
- Dynamically balanced impeller
- Heavy duty slinger seal on motor shaft
- Large weep holes between pump end and engine
- Recommendation for 444POI: use with 10 pound per gallon material or more
- Due to weight and size of pumps, Banjo ships these by truck only.
- Engine warranty service available at authorized dealers



WARNING! DO NOT RUN PUMP DRY, RESTRICT OR REDUCE PORT SIZES OR DEAD HEAD PUMP



WARNING! DO NOT USE WITH FLAMMABLE LIQUIDS



444 SERIES CAST IRON PUMPS W/GAS ENGINES

PART NO	DESCRIPTION	HP	QTY
444PIH24	4" CAST IRON PUMP W/24 HP HONDA® ENGINE	24	1



444 SERIES CAST IRON PUMP BEARING PEDESTAL

PART NO	DESCRIPTION	HP	QTY
444PBI	4" CAST IRON PUMP W/BEARING PEDESTAL W/ 1" SHAFT & 5 VANE IMPELLER	N/A	1

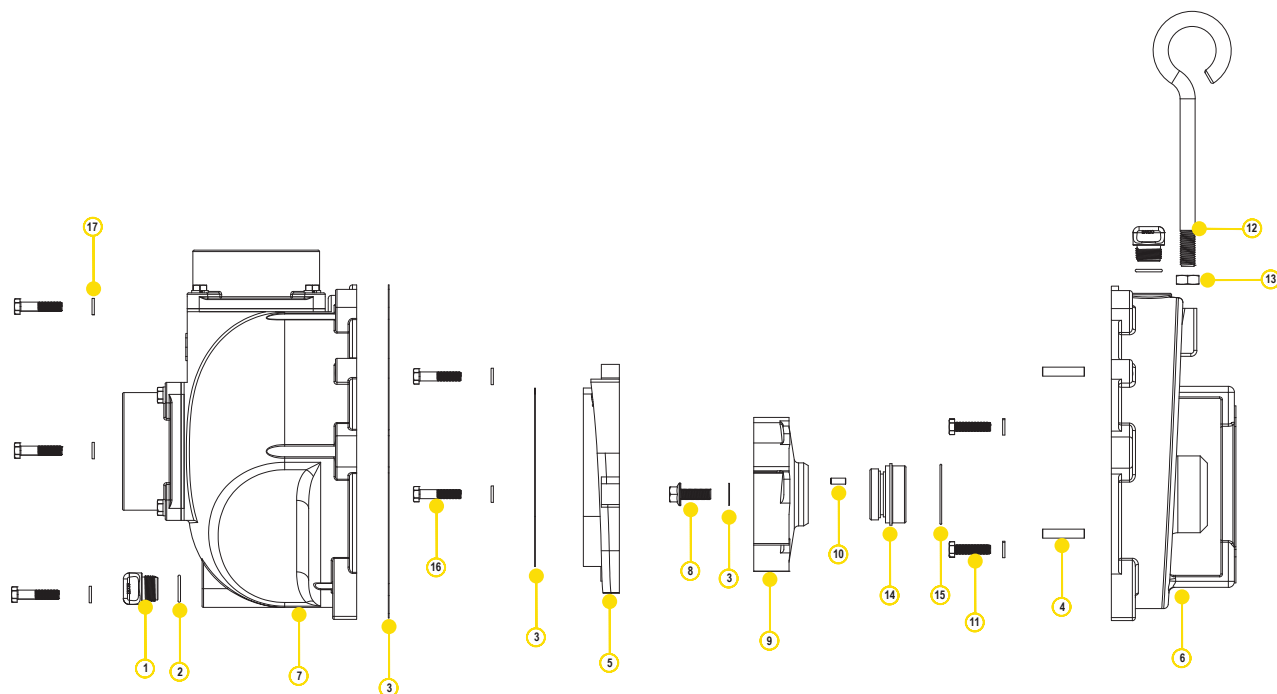


444 SERIES CAST IRON PUMP ONLY

PART NO	DESCRIPTION	HP	QTY
444POI	4" CAST IRON PUMP ONLY W/ 1 1/2" X 3 1/2" SHAFT & 6 VANE IMPELLER UNASSEMBLED	N/A	1

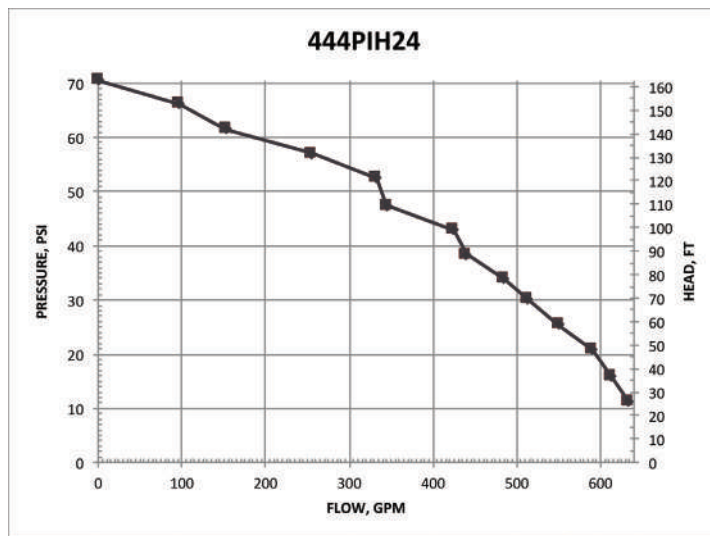
CENTRIFUGAL PUMPS

4" 444 SERIES CAST IRON PUMPS



REPLACEMENT PARTS 4" CAST IRON PUMPS

ITEM	PART NO	DESCRIPTION	QTY
1	13777	3/4" PLUG	2
2	13778	O-RING	2
3	16019	O-RINGS	1
4	N/A	3/8" X 1 1/4" DOWELL PIN	2
5	16702	VOLUTE	1
6	16707	REAR BRACKET	1
7	16712	BODY	1
8	16765	IMPELLER BOLT	1
9	16775	4" IMPELLER	1
10	16901	1/4" SQ. 3/4" KEY STOCK	1
11	18027	3/8" - 16 X 1.50" HHCS	4
12	18033	HANDLE	1
13	18034	5/8" SS JAM NUT	1
14	18435	MECHANICAL SEAL	1
15	V10264	O-RING	1
16	N/A	3/8"-16 X 1 1/4" HHCS	9
17	V20018	3/8" SS LOCK WASHER	13



Note: Please see repair parts list for 444PBI on our website.

CENTRIFUGAL PUMPS

2" STAINLESS STEEL PUMPS

FEATURES

- 316 stainless steel housing and wettable internal components including impeller, sleeve, wear plate and fasteners
- Carbon ceramic seal with 316 stainless steel cup and spring with FKM elastomer
- Replaceable inlet and outlet flanges
- Dynamically balanced impeller
- Pump only packs complete and ready for attachment to gasoline engine
- Pedestal pump for long coupling to electric motor
- Recommendation for $\frac{5}{8}$ " shaft: 56C frame size, 3 HP, 3450 RPM & 5" max impeller for close coupling to electric motors
- Recommendation for $\frac{7}{8}$ " shaft: 145TC frame size, 3 HP, 3450 RPM & 5" max impeller for close coupling to electric motors
- Engine warranty service available at authorized dealers
- Due to weight and size of pumps, Banjo ships these by truck only.



2" STAINLESS STEEL PUMPS W/GAS ENGINES

PART NO	DESCRIPTION	HP	QTY
200PH5-SS	2" SS PUMP W/5.5 HP HONDA® ENGINE W/ PULL ROPE ONLY	5.5	1

2" STAINLESS STEEL PUMP ONLY

PART NO	DESCRIPTION	HP	QTY
200PO-SS	2" SS PUMP ONLY W/ $\frac{3}{4}$ " SHAFT SLEEVE	N/A	1

2" STAINLESS STEEL C-FACE PUMPS

PART NO	DESCRIPTION	HP	QTY
200POSSCF5/8	2" SS C-FACE PUMP W/ $\frac{5}{8}$ " SHAFT SLEEVE	N/A	1

2" STAINLESS STEEL BEARING PEDESTAL

PART NO	DESCRIPTION	HP	QTY
200PB-SS	2" SS BEARING PEDESTAL W/ $\frac{3}{4}$ " STRAIGHT SHAFT*	N/A	1



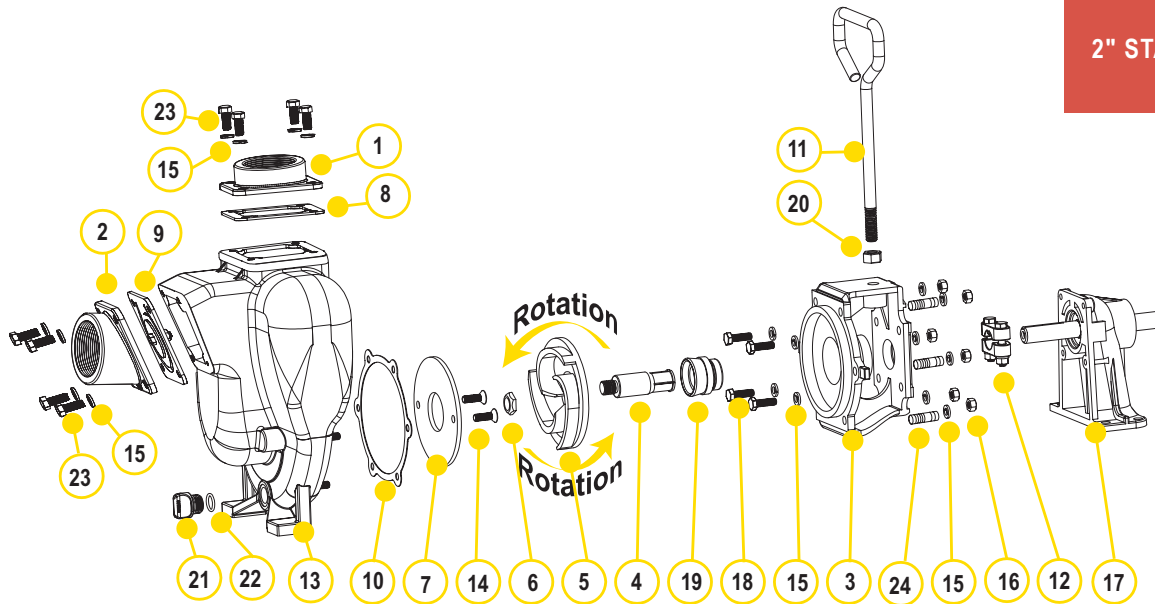
WARNING! DO NOT RUN PUMP DRY, RESTRICT OR REDUCE PORT SIZES OR DEAD HEAD PUMP



WARNING! DO NOT USE WITH FLAMMABLE LIQUIDS

CENTRIFUGAL PUMPS

2" STAINLESS STEEL PUMPS

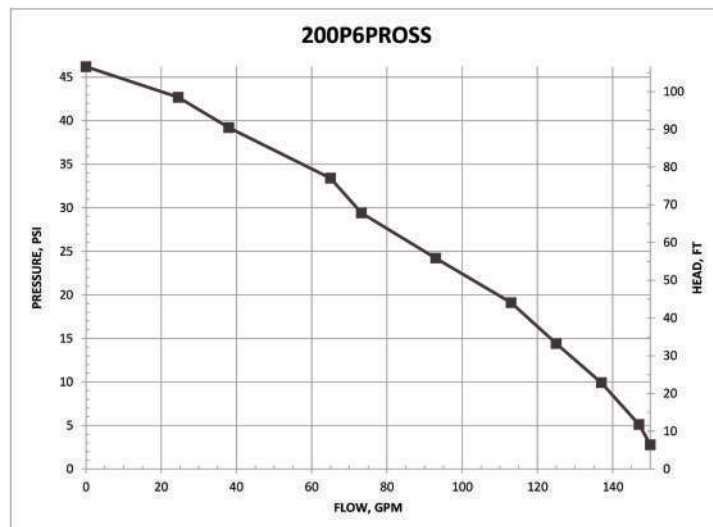


REPLACEMENT PARTS 2" STAINLESS STEEL PUMPS

ITEM	PART NO	DESCRIPTION	QTY
1	17000SS	2" NPT SS OUTLET FLANGE	1
2	17002SS	2" NPT SS INLET FLANGE	1
3	N/A	SS ADAPTER FOR GAS ENGINE	1
3	17046SS	CF ADAPTER FOR ELECTRIC MOTOR	1
4	17005	5/8" SS SLEEVE DRIVE	1
4	17006	3/4" SS SLEEVE DRIVE	1
4	17007	7/8" SS SLEEVE DRIVE	1
5	17008SS	SS IMPELLER	1
5	N/A	4.1" SS IMPELLER	1
5	N/A	4.6" SS IMPELLER	1
6	17009B	5/8" IMPELLER NUT	1
7	17011SS	SS WEAR PLATE	1
8	17014	FKM OUTLET GASKET	1
9	17017	FKM CHECK VALVE ASSEMBLY GASKET	1
10	17018	ADAPTER GASKET	1
11	15022	HANDLE	1
12	17023	5/8" CLAMP, 3/4" SS SHAFT (OLD STYLE)	1
12	17123	5/8" CLAMP, 3/4" SS SHAFT (KEYED CLAMP)	1
12	17024	7/8" CLAMP, 3/4" SS SHAFT	1
13	17026SS	SS PUMP HOUSING	1
14	17130SS	5/16-18 X 1.00" FHSCS, 316 SS	2
15	V10118	5/16" LOCK WASHER	18
16	V10119	5/16" -18 SS HEX NUT	6
17	12882A	BEARING PEDESTAL ASSEMBLY W/ 3/4" SHAFT	1
18	17040	BOLT	4
19	17035SS	FKM SS SEAL ASSEMBLY	1
20	17010	1/2" - 24 X 1" HHCS	1
21	12777SS	1/2" STAINLESS STEEL PLUG	1
22	UV15163V	O-RING FKM	1
23	17019	5/16" - 18 X 3/4" CAP SCREW	8
24	17042	STUD	6
KIT	17100SS	PUMP REPAIR KIT (CONSISTS OF 4,5,7,10,14,19)	1

KITS 2" SS PUMPS

PART NO	FKM REPAIR KIT NO
200PH5-SS	17100SS
200PB-SS	17100SS
200PO-SS	17100SS

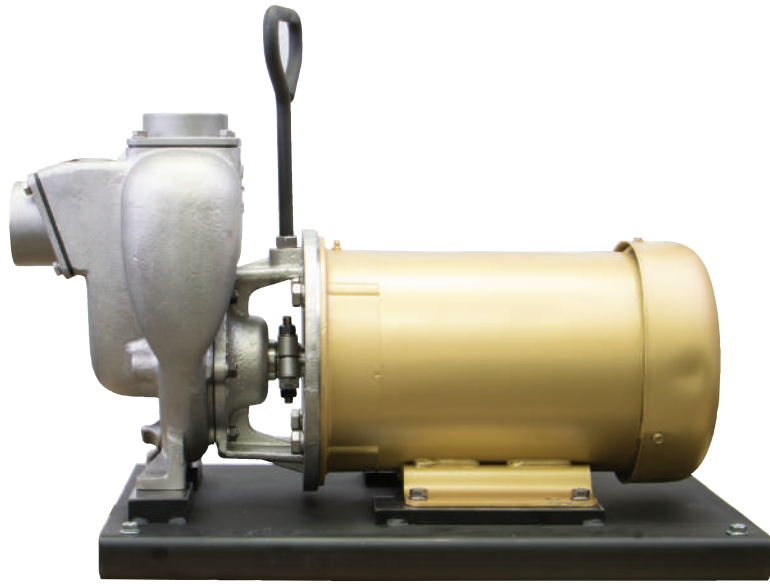


CENTRIFUGAL PUMPS

2" STAINLESS STEEL PUMPS WITH ELECTRIC MOTORS

FEATURES

- Stainless steel construction for rugged dependable service
- Stainless steel shaft sleeve to protect engine shaft
- Replaceable inlet and outlet flanges
- Dynamically balanced impeller
- Due to weight and size of pumps, Banjo ships these by truck only.
- Motor warranty service available at authorized dealers
- Motor features include pressure cast aluminum end plates with ribbed design for rigidity, heavy gauge steel frame, 230 volt, with inverter spike resistance magnet wire



2" STAINLESS STEEL PUMPS W/ELECTRIC MOTORS

PART NO	DESCRIPTION	HP	QTY
234PE5SS	2" STAINLESS STEEL PUMP W/5 HP THREE PHASE ELECTRIC MOTOR	5	1



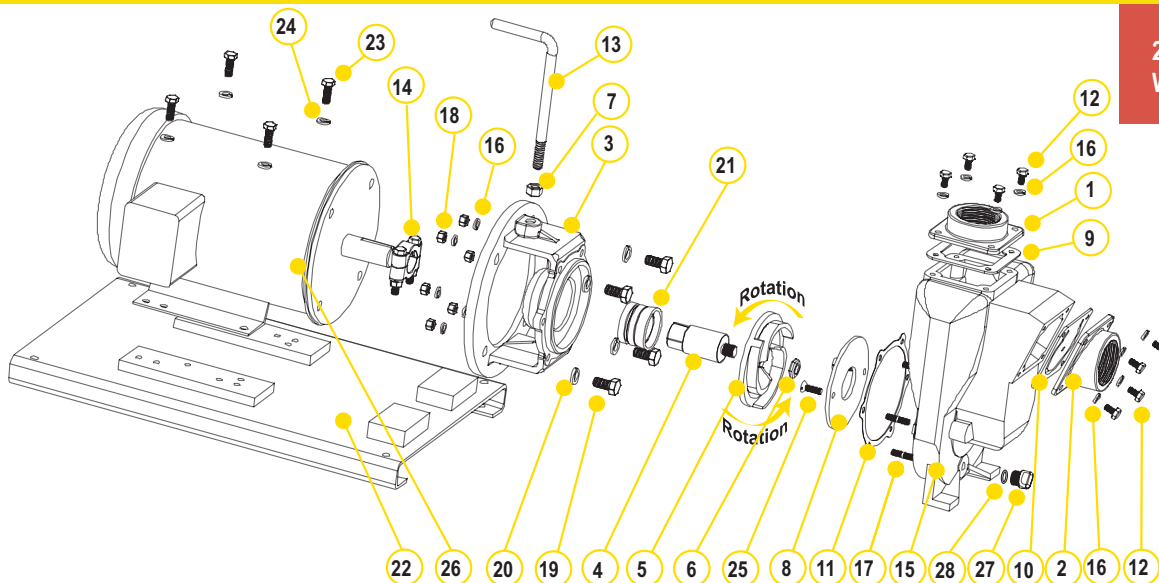
WARNING! DO NOT RUN PUMP DRY, RESTRICT OR REDUCE PORT SIZES OR DEAD HEAD PUMP



WARNING! DO NOT USE WITH FLAMMABLE LIQUIDS

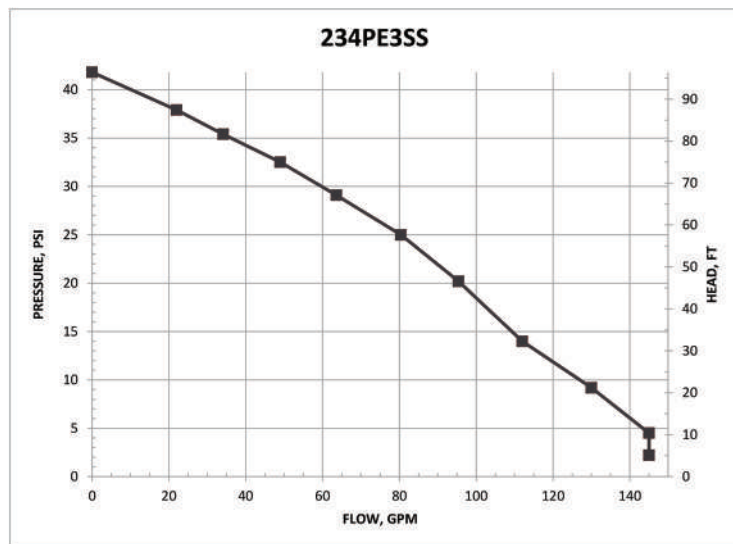
CENTRIFUGAL PUMPS

2" STAINLESS STEEL PUMPS WITH ELECTRIC MOTORS



REPLACEMENT PARTS 2" STAINLESS STEEL PUMPS

ITEM	PART NO	DESCRIPTION	QTY
1	17000SS	2" NPT OUTLET FLANGE	1
2	17002SS	2" NPT INLET FLANGE	1
3	17446SS	C-FACE ADAPTER (234PE5SS & 234PE51SS)	1
4	17406	IMPELLER SHAFT (234PE5SS & 234PE51SS)	1
5	17408SS	IMPELLER	1
6	17009B	5/8" IMPELLER NUT	1
7	17010	1/2" HEX NUT	1
8	17011SS	WEAR PLATE	1
9	17014	FKM OUTLET GASKET	1
10	17017	FKM GASKET & CHECK VALVE	1
11	17018	ADAPTER GASKET	1
12	17019	BOLT	8
13	15022	HANDLE	1
14	18129	CLAMP ASSEMBLY	1
15	17026SS	PUMP HOUSING	1
16	V10118	5/16" LOCK WASHER	20
17	17042	HOUSING STUD	6
18	V10119	HEX NUT	8
19	N/A	BOLT	4
20	N/A	WASHER	4
21	18025SS	SEAL ASSEMBLY (234PE5SS & 234PE51SS)	1
22	17701	BASE PLATE ASSEMBLY	1
23	17704	BOLT	4
24	V20018	3/8" LOCK WASHER	4
25	17130SS	5/16-18 X 1.00" FHSCS, 316 SS	2
26	N/A	ELECTRIC MOTOR	1
27	12777SS	1/2" STAINLESS STEEL PLUG	1
28	UV15163V	FKM O-RING	1



CENTRIFUGAL PUMPS

2" STAINLESS STEEL PUMPS WITH HYDRAULIC MOTORS

FEATURES

- Cast iron construction for rugged dependable service
- Stainless steel hardware
- Replaceable inlet and outlet flanges
- Dynamically balanced impeller
- Hydraulic fluid capacity is minimum 6 gallons and maximum 10 gallons
- Open or closed system
- 12 HP motor
- Recommendation to use the motor spool control valve or a suitable equivalent. The lack of such a valve in this circuit may cause failure to the hydraulic motor.



2" STAINLESS STEEL PUMPS W/ HYDRAULIC MOTORS

PART NO	DESCRIPTION	HP	QTY
200PHYSS	2" STAINLESS STEEL PUMP W/ 12 HP HYDRAULIC MOTOR	12	1

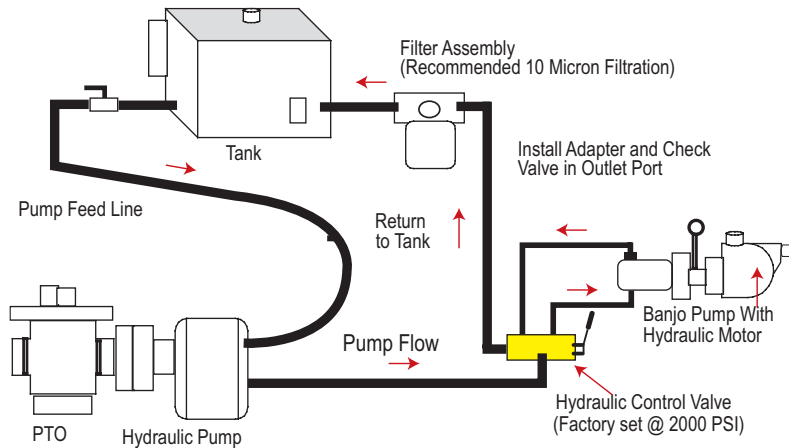


WARNING! DO NOT RUN PUMP DRY, RESTRICT OR REDUCE PORT SIZES OR DEAD HEAD PUMP



WARNING! DO NOT USE WITH FLAMMABLE LIQUIDS

SPOOL VALVE ASSEMBLY DIAGRAM

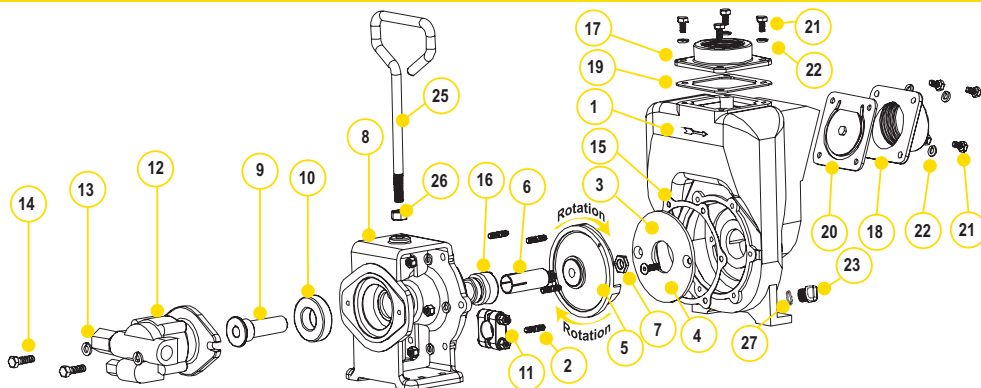


HYDRAULIC MOTOR SPOOL VALVE

PART NO	DESCRIPTION	HP	QTY
HSV1000	HYDRAULIC MOTOR SPOOL VALVE	N/A	1

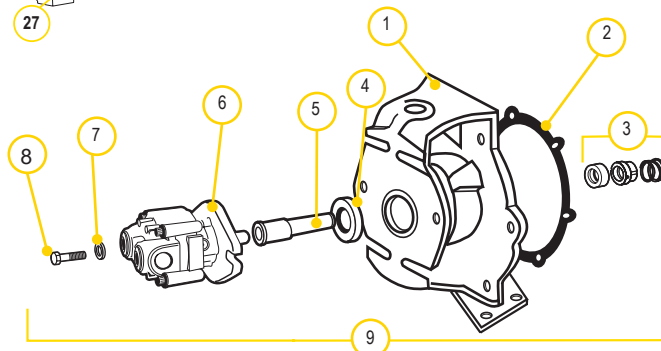
CENTRIFUGAL PUMPS

2" STAINLESS STEEL PUMPS WITH HYDRAULIC MOTORS



REPLACEMENT PARTS 2" STAINLESS STEEL PUMPS

ITEM	PART NO	DESCRIPTION	QTY
1	17026SS	PUMP HOUSING	1
2	17042	PUMP HOUSING STUD	6
3	17011SS	WEAR PLATE	1
4	17130SS	5/16-18 X 1.00" FHSCS, 316 SS	2
5	17008SS	5" IMPELLER	1
6	17007	7/8" SLEEVE DRIVE FOR ELECTRIC MOTOR	1
7	17009B	5/8" IMPELLER NUT	1
8	N/A	HYDRAULIC ADAPTER	1
9	17055A	HYDRAULIC ADAPTER SHAFT	1
10	17056	SKF 6206-2RS1 BEARING	1
11	17024	7/8" CLAMP, NO KEY	1
12	HY1013	MGG20025BC1D3 HYDRAULIC MOTOR ASSEMBLY	1
13	V20018	3/8" LOCK WASHER	2
14	18010SS	3/8" - 16 X 1.25" HHHCS	2
15	17018	GASKET ADAPTER	1
16	17035SS	FKM SEAL ASSEMBLY	1
17	17000SS	2" NPT OUTLET FLANGE	1
18	17002SS	2" NPT INLET FLANGE	1
19	17014	FKM GASKET	1
20	17017	GASKET CHECK VALVE ASSEMBLY	1
21	17019	5/16" - 18 X 0.75" CAP SCREW	8
22	V10118	5/16" SPLIT LOCK WASHER	14
23	12777SS	1/2" STAINLESS STEEL PLUG	1
24	V10119	5/16"-18 HEX NUT	6
25	15022	HANDLE	1
26	17010	1/2" HEX NUT -13UNF-RH	1
27	UV15163V	O-RING FKM	1



HYDRAULIC MOTOR DATA

U.S. GALLONS/REV.	0.0025
CUBIC INCHES/REV.	0.580
LITERS/REV.	0.0097
MAX HYDRAULIC PRESSURE	2000 PSI
MIN HYDRAULIC PRESSURE	200 PSI
INLET PORT	SAE 10 (7/8-14 UNF-2B)
OUTLET PORT	SAE 10 (7/8-14 UNF-2B)
MINIMUM GPM REQUIRED	6 GPM 2400 RPM
MAXIMUM GPM REQUIRED	10 GPM 4000 RPM
IDEAL GPM REQUIRED	9 GPM 3600 RPM

CONNECTION INFORMATION

INLET	"A" PORT
OUTLET	"B" PORT

SUPPLIED CHECK VALVE IS TO ENSURE PROPER ROTATION OF THE BANJO PUMP. PLACE CHECK VALVE IN OUTLET PORT (MARKED "B") FOR PROPER RIGHT HAND ROTATION.

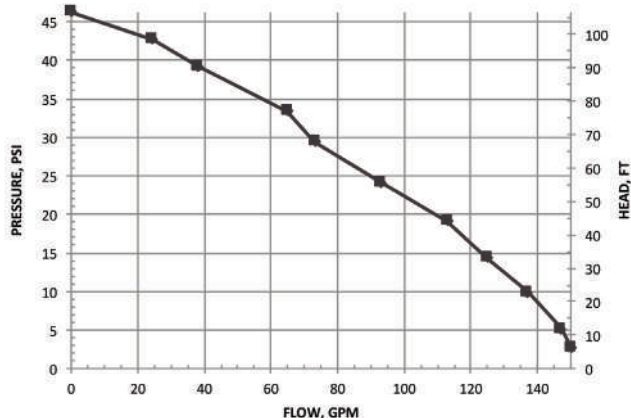
SPOOL VALVE INFORMATION

REQUIRED OUTLET FLOW	MIN 6 GPM / MAX 10 GPM
REQUIRED SYSTEM PRESSURE	MIN 500 PSI / MAX 2000 PSI

REPLACEMENT PARTS 2" HYDRAULIC ADAPTER

ITEM	PART NO	DESCRIPTION	QTY
1	N/A	SS HYDRAULIC MOTOR ADAPTER	1
2	17018	GASKET ADAPTER	1
3	17035SS	SEAL ASSEMBLY	1
N/S	17007	7/8" SS SHAFT SLEEVE	1
4	17056	SKF 6206-2RS1 BEARING	1
5	17055A	HYDRAULIC ADAPTER SHAFT	1
6	HY1013	GRESEN® HYDRAULIC MOTOR	1
7	V20018	LOCK WASHER	2
8	18010SS	BOLT	2

200PHYSS



CENTRIFUGAL PUMPS

3" STAINLESS STEEL PUMPS

FEATURES

- 316 stainless steel housing and wettable internal components including impeller, sleeve, wear plate and fasteners
- Carbon ceramic seal with 316 stainless steel cup and spring with FKM elastomer
- Replaceable inlet and outlet flanges
- Dynamically balanced impeller
- Pump only packs complete and ready for attachment to gasoline engine
- Pedestal pump for long coupling to electric motor
- Recommendation for 5/8" shaft: 56C frame size, 3 HP, 3450 RPM & 5" max impeller for close coupling to electric motors
- Recommendation for 7/8" shaft: 145TC frame size, 3 HP, 3450 RPM & 5" max impeller for close coupling to electric motors
- Engine warranty service available at authorized dealers
- Due to weight and size of pumps, Banjo ships these by truck only.



3" STAINLESS STEEL PUMPS W/GAS ENGINES

PART NO	DESCRIPTION	HP	QTY
300PH13SS	3" SS PUMP W/13 HP HONDA® ENGINE W/ELECTRIC START & PULL ROPE	13	1



3" STAINLESS STEEL PUMP ONLY

PART NO	DESCRIPTION	HP	QTY
300PO-SS	3" SS PUMP ONLY W/ 1" SHAFT SLEEVE	N/A	1



3" STAINLESS STEEL BEARING PEDESTAL

PART NO	DESCRIPTION	HP	QTY
300PB-SS	3" SS BEARING PEDESTAL W/ 1" STRAIGHT SHAFT	N/A	1



3" STAINLESS STEEL PUMPS W/ HYDRAULIC MOTOR

PART NO	DESCRIPTION	HP	QTY
300PHYSS	3" STAINLESS STEEL PUMP W/ 12 HP HYDRAULIC MOTOR	12	1



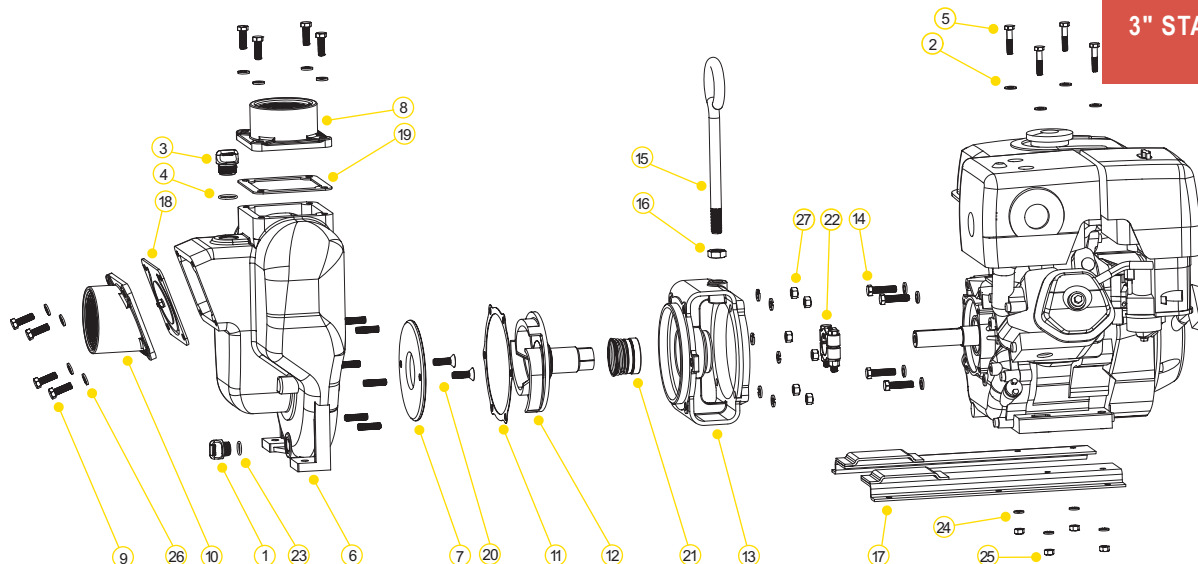
WARNING! DO NOT RUN PUMP DRY, RESTRICT OR REDUCE PORT SIZES OR DEAD HEAD PUMP



WARNING! DO NOT USE WITH FLAMMABLE LIQUIDS

CENTRIFUGAL PUMPS

3" STAINLESS STEEL PUMPS

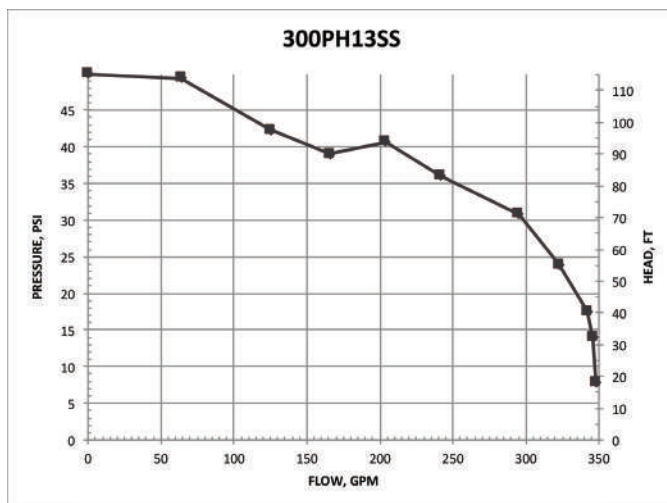


REPLACEMENT PARTS 3" STAINLESS STEEL PUMPS

ITEM	PART NO	DESCRIPTION	QTY
1	12777SS	½" STAINLESS STEEL PLUG	1
2	12901	SS REAR BRACKET WASHER	4
3	13777SS	¾" STAINLESS STEEL PLUG	1
4	13778V	O-RING FKM	1
5	N/A	⅝" - 18 X 1¼" ZINC PLATED	4
6	18001SS	SS PUMP HOUSING	1
7	18004SS	SS WEAR PLATE	1
8	N/A	3" NPT OUTLET FLANGE	1
9	18010SS	⅜" - 16 X 1½ 8" SS CAP SCREW HXHD	8
10	N/A	3" NPT INLET FLANGE	1
11	18021	ADAPTER GASKET	1
12	18023SS	1" SS IMPELLER & DRIVE SHAFT FOR GAS ENGINE	1
12	N/A	1¼" SS IMPELLER & DRIVE SHAFT FOR ELECTRIC MOTOR (300PO-SSCF)	1
13	18026SS	ADAPTER FOR GAS ENGINE	1
13	N/A	ADAPTER FOR ELECTRIC MOTOR (300PO-SSCF)	1
14	18027	⅝" - 16 X 1½" HHCS	4
15	18033	HANDLE	1
16	18034	⅝" SS JAM NUT	1
17	18035	Z RAILS	1
18	18042	FKM GASKET CHECKVALVE ASSEMBLY	1
19	18044	FKM OUTLET GASKET	1
20	18106SS	WEAR PLATE FLAT HEAD SCREW	2
21	18025SS	FKM SEAL ASSEMBLY	1
22	18129	CLAMP ASSEMBLY	1
23	UV15163V	O-RING FKM	1
24	V10118	⅝" LOCK WASHER	4
25	V10119	⅝" - 18 SS HEX NUT	4
26	V20018	⅜" SS LOCK WASHER	18
27	V20019	⅜" 16 SS HEX NUT	6
KIT	18100SS	REPAIR KIT(CONSIST OF ITEMS 7,11,12, 20 & 21)	1

KITS 3" SS STEEL PUMPS

PART NO	FKM REPAIR KIT NO
300PH13SS	18100SS
300PB-SS	18100SS
300PO-SS	18100SS



Note: Please see repair parts list for 300PHYSS on our website.

REFERENCE

PART NO	PAGE NO(S)	WEIGHT	PART NO	PAGE NO(S)	WEIGHT	PART NO	PAGE NO(S)	WEIGHT
12046	101, 129	0.5	15772	127, 129, 139	1.75	17028	119	0.16
12052	101	N/A	15999	127, 129	0.282	17032	121	0.036
12099	97, 101, 109, 111, 127, 129	0.07	16001	137	4.808	17033	119, 127	3.018
12155	99, 107, 115, 117	1.19	16003	137	5.688	17035	119, 123, 125	0.18
12705	97, 99, 101, 103, 105, 107, 109, 111, 113, 115, 117, 127, 129, 139, 141,	0.26	16011	137	0.098	17040	119, 145	0.028
12709	99, 107, 115, 117, 139, 141	0.001	16019	137, 143	0.068	17042	119, 123, 145, 147, 149	0.02
12710	97, 101, 103, 105, 109, 111, 113, 127, 129,	0.01	16099	137	0.25	17046	119, 123	7.572
12713	97, 101, 103, 105, 109, 111, 113	0.11	16702	137, 143	11	17056	113, 125, 149	0.462
12716	97, 105, 109, 111, 127	0.02	16704	137	41.5	17100	119	4
12717	97, 99, 101, 103, 105, 107, 109, 111, 113, 115, 117, 127, 129, 139, 141	0.001	16706	137	0.888	17123	119, 121, 145	0.384
12720	97, 99, 101, 103, 105, 107, 109, 111, 113, 115, 117	0.03	16707	143	4	17130	119, 121, 123	0.022
12723	89	0.01	16710	137	0.002	17202	121	3.738
12724	89	0.001	16712	143	58	17208	121	1.802
12725	97, 99, 101, 103, 105, 107, 109, 111, 113, 115, 117	0.002	16713	137	0.2	17226	121	25.21
12754	97, 99, 101, 103, 105, 107, 109, 111, 113, 115, 117	0.002	16733	137	55	17235	121	0.35
12756	101, 129	1.44	16751	137	0.024	17242	121	0.032
12766	107, 117, 99	0.08	16752	137	0.004	17406	123, 147	0.638
12772	97, 99, 101, 103, 105, 107	0.21	16765	137, 143	0.098	17408	123	2
12777	47, 85, 89, 97, 99, 101, 103, 107, 115, 117, 119, 121, 123, 125, 131, 133, 135, 139, 141	0.018	16773	137	3.452	17446	123	18
12900	97, 99, 101, 103, 105, 107, 109, 111, 113, 115, 117	0.008	16774	137	2.75	17701	101, 123, 129, 147	29.5
12901	97, 101, 103, 105, 109, 111, 113, 127, 129, 139, 141, 151	0.004	16775	143	4.242	17704	101, 123, 129, 131, 133, 137, 147	0.046
13034	99, 107, 115, 117, 139	N/A	16901	115, 117, 137, 139, 141, 143	0.01	18001	131, 133, 135	65.65
13055	115, 139, 141	0.674	17000	119, 121, 123, 127	1.528	18004	131, 133, 135	1.628
13702	109, 111, 113, 115, 117	1.479	17001	119	1.472	18008	131, 133, 135	3.802
13712	109, 113, 115	4.018	17002	119, 121, 123	1.888	18009	131, 133, 135	0.036
13719	99, 107, 115, 117, 139, 141	0.012	17003	119	1.926	18012	131, 133, 135	3.906
13765	109, 111, 137	0.05	17004	119	6.19	18013	131, 133, 135	0.53
13766	115, 139	0.084	17005	119, 145	0.376	18021	131, 133, 135, 151	0.012
13771	109, 111, 113, 115	0.204	17006	119, 145	0.25	18025	123, 131, 135	0.39
13772	109, 111, 115, 117	0.223	17007	119, 123, 125, 145, 149	0.216	18026	131	9.91
13777	49, 93, 109, 111, 113, 127, 129, 131, 133, 135, 137, 139, 141, 143	0.025	17008	119, 123, 125	2	18027	137, 143, 151	0.056
13778	49, 93, 109, 111, 113, 127, 129, 131, 133, 135, 137, 139, 141, 143	0.002	17010	119, 121, 123, 125, 127, 129, 135, 145, 147, 149	0.036	18029	131, 135	0.63
13999	109, 111, 113	0.266	17011	119, 121, 123	0.866	18033	131, 133, 135, 137, 139, 141, 143, 151	1.236
15000	127, 129	2.244	17013	119, 121, 123, 127	0.034	18034	131, 133, 135, 137, 139, 141, 143, 151	0.048
15022	119, 121, 123, 125, 127, 129, 145, 147, 149	1.124	17014	145, 147, 149	0.042	18035	131, 151	2.73
15025	137	N/A	17016	119, 121, 123	0.214	18042	151	0.584
15035	115	0.35	17017	145, 147, 149	0.262	18044	151	0.056
15702	127, 129	9.086	17018	119, 121, 123, 125, 145, 147, 149	0.01	18048	131	12.788
15703	127, 129	14.978	17019	119, 121, 123, 127, 145, 147, 149	0.024	18049	131, 135	20.516
15712	127, 129	26.082	17023	119, 145	0.386	18055	131, 135	0.834
15751	109, 111, 127, 129	0.014	17024	119, 123, 125, 145, 149	0.128	18056	135	0.1
15752	127, 129	0.002	17026	119, 123, 125	21.23	18100	131, 135	7.2

PART NO	PAGE NO(S)	WEIGHT	PART NO	PAGE NO(S)	WEIGHT	PART NO	PAGE NO(S)	WEIGHT
18106	131, 133, 135	0.04	125E	71	0.11	150C90	74	0.62
18129	123, 131, 133, 147, 151	0.64	125F	71	0.98	150CAP	71	0.54
18206	133	4.8	12600B	103, 113, 127	14	150D	71	0.59
18218	131, 133, 135	1.436	12702A	97, 99, 101, 103, 105, 107	1.21	150D90	74	0.65
18435	143	1	12703A	97, 101, 103, 105, 109, 111, 113	2.37	150E	71	0.21
18500	131, 133, 137	13	12703AW	115	2.79	150F	71	0.21
18502	131, 135, 141	0.802	12705V	97, 101, 115	0.24	150F90	74	0.267
18504	131	1.928	12707W	99, 107, 117	2.79	150G	45, 67, 73	0.015
18511	137	3.404	12709V	115	0.001	150GV	45, 67, 73	0.3
18512	137	0.036	12710V	97, 101	0.01	150PL	71	0.16
18600	135	N/A	12712A	97, 99, 101, 103	3.25	150POICF5/8-4.1	118	47
18700	95	1.728	12713V	97, 101, 127, 129	0.12	150RING	73	0.026
18702	139, 141	1.794	12715A	97, 103, 105, 109, 111, 113, 127, 129, 139, 141	0.05	15999V	127, 129	0.288
050C	70	0.14	12717V	97, 101, 115	0.01	16704A	137	41.5
050D	70	0.16	12719A	97, 99, 101, 103, 105, 107, 109, 111, 113, 117, 127, 129, 139, 141	0.05	16774A	137	2.931
050E	70	0.05	12719AV	97, 101	0.05	17000SS	145, 147, 149	1.58
050F	70	0.06	12754V	97, 101, 115	0.01	17002SS	145, 147, 149	2.038
075C	71	0.15	12765A	97, 101, 103, 105, 109, 111, 113, 127, 129	0.05	17008-4.1	119	1.534
075CAP	70, 71, 72	0.13	12771A	97, 105	0.22	17008SS	145, 149	2
075D	71	0.15	12775A	97, 99, 101, 103, 105, 107, 109, 111, 113, 115	0.01	17009B	119, 121, 123, 125, 145, 147, 149	0.022
075E	71	0.06	12777SS	145, 147, 149, 151	0.14	17011SS	145, 147, 149	0.888
075F	71	0.06	12882A	97, 109, 111, 119, 121, 127, 145	7.6	17026SS	145, 147, 149	32
100125CAP	71	0.27	12883B	119	0.146	17035SD	119	0.13
100125SPL	71	0.06	12902A	97, 99, 101, 103, 105, 107, 109, 111, 113, 115, 117, 127, 129, 139, 141	0.006	17035SS	145, 149	0.18
100A	71	0.09	12999A	97, 101, 103, 105	0.25	17046SS	145	8.804
100B	71	0.29	12999AV	97, 101, 105	0.32	17055A	125, 149	1.75
100C	71	0.27	13719V	115	0.019	17056E	103	2
100D	71	0.31	13777SS	151	0.205	17100SS	145	3.384
100E	71	0.1	13778V	151	0.002	17130SS	145, 147, 149	0.02
100F	71	0.11	150(200)K	73	0.134	17201A	121	8.736
100G	67, 73	0.2	15000V	127, 129	2.364	17206A	121	0.628
100GV	67, 73	0.02	150125A	71	0.197	17408SS	147	2.106
100RING	73	0.01	150125B	71	0.26	17446SS	147	10.818
12000A	97, 101, 103, 105, 109, 111, 113	0.75	150125C	71, 72	0.568	18001SS	151	57.5
12000AV	97, 101, 105	0.9	150125D	71	0.31	18004SS	151	1.616
12055E	103	0.57	150125E	71	0.16	18010SS	103, 113, 125, 131, 133, 135, 149, 151	0.044
12201W	115	1.46	150125F	71	0.18	18023-1.125	131	4.322
12202W	99, 107, 115, 117	1.46	15035E	99, 107, 115, 117, 133, 139, 141	0.386	18023SS	151	4.32
125A	71	0.1	150A	71	0.18	18025SD	131, 135	0.32
125B	71	0.3	150A90	74	0.307	18025SS	147, 151	0.25
125C	71	0.29	150B	71	0.57	18026SS	151	10.11
125D	71	0.31	150C	71	0.57	18055H	141	0.75

REFERENCE

PART NO	PAGE NO(S)	WEIGHT	PART NO	PAGE NO(S)	WEIGHT	PART NO	PAGE NO(S)	WEIGHT
18100SS	151	7.5	200PHY	102	21.308	234PPE5	100	135
18106SS	151	0.04	200PHYSS	148	52	234PPE51	100	145.5
18200A	133	31.6	200PHYW	102	28	234PPE51V	100	145
18202A	133	4.918	200PI-3	118	81	234PPE5V	100	123
18203A	133	4.92	200PI6PRO	118	81.5	250CAP	72	0.68
19001H	141	10.7	200PIH-5	118	81.5	300A	72	0.48
19201W	139, 141	10	200PIH5E	118	N/A	300B	72	1.17
19703W	139, 141	17.006	200PIHY	124	48	300C	72	1.4
19772SS	139, 141	N/A	200PKL	73	0.02	300CAP	72	1.07
200150C	72	0.66	200PL	72	0.21	300D	72	1.19
200A	72	0.3	200PO	96	7.286	300E	72	0.78
200A90	74	0.461	200POI	118	52.5	300F	72	0.57
200B	72	0.64	200POICF5/8	118	47	300F200F	73	0.609
200B90	74	0.948	200POICF7/8	118	47	300FF	73	0.644
200C	72	0.69	200PO-SS	144	47	300G	45, 67, 73	0.04
200C90	74	0.78	200POSSCF5/8	144	47	300GV	45, 67, 73	0.06
200CAP	64, 72	0.6	200PO-V	96	10	300K	73	0.23
200CAPSH	64, 72	0.52	200SBS	95	0.25	300P	73	0.036
200D	72	0.66	201B	72	0.71	300P11PRO	108	81
200D90	74	0.88	201CAPSH	64	0.566	300P11PROW	114	67
200E	72	0.32	201FPT	64	0.04	300PB	108	20
200F	72	0.31	201PBIW	120	58	300PBI	130	125
200F45	74	0.346	201PIH5W	120	94	300PB-SS	150	99
200F90	74	0.434	201POIW	120	59	300PBW	114	26
200FF	73	0.331	202CAP	64	0.34	300PH13SS	150	150
200G	45, 67, 73	0.02	205PB	96	16	300PH13W	114	103
200GV	45, 67, 73	0.03	205PB-V	96	16	300PH-6	108	50
200KL	73	0.18	205POW	98	8.5	300PH6W	114	56
200P	73	0.17	211FPT	64	0.03	300PHY	112	26
200P6PRO	96	50	222PBI	126	70	300PHYSS	150	140
200P6PROE	96	N/A	222PI6PRO	126	100	300PHYW	112	N/A
200P6PROV	96	51	222PIE5	128	180	300PIH13	130	176
200PB	96	15.786	222PIE51	128	190	300PIH-8	130	166
200PBI	118	48	222PIH5	126	82	300PIHY	134	140
200PB-SS	144	52	222PIH5E	126	110	300PL	72	0.43
200PH-5	96	51	222PIH6	126	110	300PO	108	12.005
200PH-5E	96	N/A	222POI	126	60	300POI	130	106
200PH5-SS	144	105	231MPT	64	0.074	300PO-SS	150	115
200PH-5V	96	48	234PE5SS	146	168	300POW	114	15.3
200PH5W	98	53	234PIE5	122	160	300POW6	114	N/A
200PH6	96	N/A	234PIE51	122	200	300SBS	95	0.25
200PHA	102	25	234POI	122	N/A	301PBIW	132	135

PART NO	PAGE NO(S)	WEIGHT	PART NO	PAGE NO(S)	WEIGHT	PART NO	PAGE NO(S)	WEIGHT
301PIH13W	132	N/A	AF400G	69	0.45	CPLG100	77	0.13
301POIW	132	130	AF400GV	69	0.45	CPLG125	77	0.19
303B	72	1.634	AFB200	69	0.698	CPLG150	77	0.3
303B200A	72	1.554	AFB300	69	1.42	CPLG200	77	0.34
303C	72	1.74	BEM5-182CZ	129	95	CPLG300	77	0.836
305PHAW	112	N/A	BF075	65	0.82	CR050	78	0.13
333PBI	136	185	BF075BD	66	0.88	CR075	78	0.35
333PIE15	136	242	BF100	65	0.82	CR100	78	0.27
333PIH13	136	285	BF100BD	66	0.9	CR125	78	0.726
333POI	136	90	BF100GE	65, 66	0.07	CR150	78	0.571
400A	72	1.27	BF100GRE	66	0.01	CR200	78	0.744
400B	72	2.03	BF100GRV	66	0.01	CV050	16	0.27
400C	72	2.39	BF150	65	1.26	CV100	16	0.222
400CAP	72	1.44	BF150BD	66	1.32	CV100MT	16	0.17
400D	72	2.07	BF200	65	1.07	CV10175	99, 107, 115, 117, 139, 141	0.2
400E	72	1.786	BF200BD	66	1.2	CV10175V	115	N/A
400F	72	1.42	BF200GE	65, 66	0.05	CV221	16	1
400G	73	0.06	BF200GFV	66	0.05	CV300	16	1.45
400PL	72	1.11	BF200GV	65, 66	0.05	CV301	16	1.518
444PIH24	142	345	BF200V	65	1.07	DB20153M	52, 53	0.158
444POI	142	120	BF220	65	1.45	DB20290	52, 53	0.004
75A1/2	70	0.07	BF220BD	66	1.5	DB20295	52, 53, 57, 58	N/A
75A1/4	70	0.08	BF220GE	65, 66	0.154	DM100ABSS	56	3.5
75A3/4	71	0.05	BF220GV	65, 66	0.08	DM100ASS	56	3.5
75B1/2	70	0.14	BF300	65	2.264	DM100CAP	56	0.19
75B3/4	71	0.14	BF300BD	66	2.42	DM100DBSS	56	3.75
75G	73	0.1	BF300GE	65, 66	0.2	DM100DSS	56	3.75
75PL	70, 71	0.05	BF300GFE	66	0.02	DM100DSSE	56	3.75
A204	97, 99, 101, 103, 105, 107, 109, 111, 113, 115, 117, 127, 129, 139, 141	0.001	BF300GFV	66	0.02	DM100PL	56	0.234
A204V	97, 101, 115	N/A	BF300GV	65, 66	0.1	DM101SS	56	0.346
AF100	69	0.304	CAP038	78	0.03	DM10294A	56	0.01
AF100G	69	0.06	CAP050	78	0.06	DM10295A	56	0.006
AF100GV	69	0.06	CAP075	78	0.052	DM10296	56	0.1
AF150	69	0.43	CAP100	78	0.09	DM102SSV	56	0.386
AF150G	69	0.08	CAP125	78	0.13	DM150A	52	2.64
AF200	69	0.657	CAP150	78	0.12	DM150AB	52	2.2
AF200G	69	0.17	CAP200	78	0.25	DM150ABSS	57	6.3
AF200GV	69	0.17	CAP300	78	0.59	DM150AE	52	2.75
AF300	69	1.175	CPLG025	77	0.03	DM150ASS	57	6.35
AF300G	69	0.17	CPLG038	77	0.026	DM150D	52	2.64
AF300GV	69	0.17	CPLG050	77	0.09	DM150DB	52	2.2
AF400	69	1.587	CPLG075	77	0.11	DM150DBSS	57	6.9

REFERENCE

PART NO	PAGE NO(S)	WEIGHT	PART NO	PAGE NO(S)	WEIGHT	PART NO	PAGE NO(S)	WEIGHT
DM150DE	52	2.82	DM25294T	59	0.048	EVXR221	19	5.92
DM150DSS	57	6.9	DM300ACF	35	7.72	EVXR300	20	9.24
DM150DSSE	57	6.9	DM300AFP	55	4.8	FC100	45	0.25
DM200A	53	3.007	DM300CAP	55	2.82	FC200	45	0.23
DM200AB	53	2.2	DM300DCF	35	8.4	FC220	37, 45	0.25
DM200ABSS	58	5.768	DM300DFP	55	8.4	FC220B	45	1.364
DM200ACAP	57, 58	1	DM300PL	55	0.509	FC220TB	45	0.43
DM200ACF	35	3.15	DM35153F	55	0.463	FC300	37, 45	0.34
DM200AE	53	2.75	DM35153M	55	0.659	FC300B	45	1.76
DM200APL	57, 58	0.49	DM35200	55	N/A	FC300TB	45	0.52
DM200ASS	58	6.2	DMMT201A	53	2.5	GHFT075A	75	0.06
DM200CAP	52, 53	0.38	DPCF100	60	0.5	GHFT075D	75	0.17
DM200D	53	2.75	DPCM100	60	0.25	GHFT075G	75	0.025
DM200DB	53	2.2	DPCMT100	60	0.27	GHFT075MPT	75	0.04
DM200DBSS	58	6.9	EL025-90	79	0.016	GHMT075B	75	0.14
DM200DCF	35	2.75	EL038-90	79	0.04	GHMT075F	75	0.05
DM200DE	53	3	EL050-90	79	0.07	GHMT075FPT	75	0.04
DM200DSS	58	6.9	EL075-90	79	0.1	GHMT075MPT	75	0.04
DM200DSST	58	6.9	EL100-45	79	0.14	GHN075	75	0.6
DM200PL	52, 53	0.49	EL100-90	79	0.15	H25053	5	0.265
DM20153F	52, 53	0.251	EL125-90	79	0.22	HB025	80	0.01
DM20153M	52, 53	0.417	EL150-90	79	0.33	HB025/038-90	80	0.01
DM201SS	57, 58	1.158	EL200-90	79	0.434	HB025/050-90	80	0.022
DM20200A	52, 53	0.242	EL300-90	79	1.195	HB025-038	80	0.012
DM20200D	52, 53	0.254	EVX071	18	3.82	HB025-038SS	80	0.07
DM20294A	52, 53, 57, 58	0.016	EVX100BL	21	4.313	HB025-050	80	0.015
DM20295A	52, 53	0.01	EVX100SL	21	4.313	HB025-050SS	80	0.07
DM20296	52, 53, 57, 58	0.125	EVX101	18	3.892	HB025-90	80	0.01
DM202SSV	57, 58	1.32	EVX121	18	3.832	HB025SS	80	0.04
DM220A	54	4.3	EVX151	18	N/A	HB038	80	0.01
DM220ABSS	59	0.43	EVX200BL	21	4.876	HB038-050	80	0.02
DM220ASS	59	7.8	EVX200SL	21	4.876	HB038-050SS	80	0.1
DM220CAP	54, 59	1	EVX201	19	4.312	HB038-90	80	0.02
DM220D	54	5.482	EVX220	25	4.92	HB038SS	80	0.09
DM220DBSS	59	7	EVX220BL	21	6.253	HB050	80	0.03
DM220DSS	59	9.8	EVX220SL	21	6.253	HB050/038-90	80	0.024
DM221PL	54	N/A	EVX221	19	5.052	HB050/075-90	80	0.04
DM221SS	59	0.206	EVX300	20	9.24	HB050-025	80	0.03
DM222SS	59	0.216	EVXR071	18	N/A	HB050-038	80	0.02
DM25153M	54	0.457	EVXR101	18	3.96	HB050-058SS	80	0.128
DM25200	54	N/A	EVXR151	18	4.45	HB050-075	80	0.03
DM25294	59	N/A	EVXR201	19	5.33	HB050-075SS	80	0.2

PART NO	PAGE NO(S)	WEIGHT	PART NO	PAGE NO(S)	WEIGHT	PART NO	PAGE NO(S)	WEIGHT
HB050-90	80	0.03	HB300-90	80	1.078	L200D	73	0.736
HB050SS	80	0.13	HB300SS	80	3.55	LEV038	22	0.55
HB075	80	0.04	HB400	80	1.64	LEV038PL	22	0.08
HB075/050-90	80	0.04	HBB20012590	79	0.25	LEV050	22	0.6
HB075/100-90	80	0.05	HBC050075	78	0.028	LS050-20	88	0.35
HB075-038	80	0.03	HBEL100-90	79	0.06	LS050-40	88	0.35
HB075-050	80	0.03	HBEL150/100-90	79	0.197	LS050-80	88	0.37
HB075-050SS	80	0.2	HBF075	80	0.06	LS050B/C1	89	0.298
HB075-058	80	0.038	HBF075-100	80	0.08	LS075-20	88	0.3
HB075-100	80	0.05	HBF075-90	80	0.06	LS075-40	88	0.33
HB075-100SS	80	0.25	HBF100	80	0.09	LS075-80	88	0.35
HB075-90	80	0.05	HBT038	81	0.03	LS075B/C1	89	0.28
HB075SS	80	0.2	HBT050	81	0.03	LS075-G	89	0.004
HB100	80	0.06	HBT050-075	81	0.03	LS100-20	88	0.91
HB100/075-90	80	0.06	HBT075	81	0.05	LS100-40	88	0.9
HB100/125-90	80	0.1	HBT075-050	81	0.04	LS100-80	88	0.96
HB100-075	80	0.06	HBT075-050SS	81	0.246	LS100B/C1	89	0.872
HB100-075SS	80	0.3	HBT075-100	81	0.06	LS100-C1	47, 89	0.232
HB100-125	80	0.08	HBT100	81	0.08	LS100-G	47, 89	0.02
HB100-90	80	0.07	HBT100-075	81	0.06	LS100-GV	89	0.02
HB100SS	80	0.3	HBT100-100	81	0.08	LS120	47, 89	0.07
HB125	80	0.1	HBT150-100	81	0.218	LS125-20	88	0.86
HB125/100-90	80	0.09	HBT150-150	81	0.235	LS125-40	88	0.84
HB125/150-90	80	0.09	HBT200	81	0.388	LS125-80	88	0.9
HB125-075	80	0.08	HBT300	81	1.161	LS125B/C1	89	0.826
HB125-100	80	0.09	HM038	81	0.03	LS140	47, 89	0.07
HB125-150	80	0.1	HM050	81	0.01	LS150-06	90	2.42
HB125-90	80	0.11	HM075	81	0.026	LS150-12	90	2.42
HB125SS	80	0.5	HM100	81	0.04	LS150-120	90	2.5
HB150	80	0.13	HM125	81	0.07	LS150-20	90	2.42
HB150/125-90	80	0.16	HM150	81	0.08	LS150-30	90	2.5
HB150-100	80	0.09	HM200	81	0.22	LS150-50	90	2.5
HB150-125	80	0.1	HM300	81	0.763	LS150-80	90	2.5
HB150-200	80	0.19	HSV1000	102, 112, 124, 134, 140, 148	11	LS150B/C	91	1.91
HB150-90	80	0.23	HV200	36	0.58	LS150-C	47, 91	0.576
HB150SS	80	0.68	HY1001	135	1.5	LS150-G	47, 91	0.03
HB200	80	0.2	HY1003	103, 113	1.5	LS150-GV	47, 91	0.03
HB200/150-90	80	0.22	HY1012	135, 141	13.2	LS180	47, 89	2.12
HB200-150	80	0.18	HY1013	103, 113, 149	4.5	LS200-06	90	2.5
HB200-90	80	0.33	L200B	73	0.64	LS200-100	90	2
HB200SS	80	1.13	L200C	73	0.7	LS200-12	90	2.33
HB300	80	0.703	L200CAP	73	0.62	LS200-120	90	2

REFERENCE

PART NO	PAGE NO(S)	WEIGHT	PART NO	PAGE NO(S)	WEIGHT	PART NO	PAGE NO(S)	WEIGHT
LS200-20	90	2.33	LSS300-GV	92, 93	0.044	LST150-GV	47, 85	0.024
LS200-30	90	2.42	LSS300-H	93	1.724	LST150-HB	85	1.794
LS200-50	90	2.42	LSS300-S	92, 93	0.032	LST15100	47, 85	0.27
LS200-80	90	2.42	LSS300-SV	92, 93	0.05	LST1516	47, 85	0.196
LS200B/C	91	2	LSS306	93	0.198	LST1530	47, 85	0.17
LS206	47, 87, 91	0.3	LSS308	93	0.256	LST1550	47, 85	0.15
LS2100	91	0.09	LSS312	93	0.37	LST1580	47, 85	0.1
LS212	47, 87, 91	0.29	LSS320	93	0.4	LST180	47, 85	0.07
LS2120	47, 87, 91	0.08	LSS330	93	0.368	LST200-10SS	86	16
LS220	47, 87, 91	0.2	LSS350	93	0.366	LST200-50SS	86	16
LS230	47, 87, 91	0.188	LST075-100	84	0.83	LST200-B	87	1.946
LS250	47, 87, 91	0.13	LST075-16	84	0.824	LST200-GV	87	0.04
LS250P	91	0.116	LST075-30	84	0.84	LST200-HSS	87	1.614
LS280	47, 87, 91	0.1	LST075-50	84	0.84	LST204SS	49, 87	0.416
LS300EC	49, 93	0.626	LST075-80	84	0.83	LST206SS	49, 87	0.382
LS304	49, 93	0.598	LST075-H	85	0.516	LST208SS	49, 87	0.326
LS308	49, 93	1.106	LST075-HB	85	0.738	LST2100SS	49	0.45
LS312	49, 93	4.31	LST100-100	84	0.76	LST210SS	49, 87	0.48
LS320	49, 93	1.03	LST100-16	84	0.78	LST216SS	49, 87	0.27
LS350	49, 93	0.92	LST100-30	84	0.79	LST230SS	49, 87	0.49
LS720	89	0.04	LST100-50	84	0.81	LST250SS	49, 87	0.49
LS740	89	0.04	LST100-80	84	0.78	LST280SS	49, 87	0.48
LS780	89	0.04	LST100-B	47, 85	2.17	LST5100	83	0.016
LSM300-04	92	8	LST100-G	47, 85	0.02	LST530	83	0.05
LSM300-08	92	8	LST100-GV	47, 85	0.02	LST550	83	0.024
LSM300-12	92	8	LST100-H	85	0.472	LST580	83	0.02
LSM300-20	92	8	LST100-HB	85	2.25	LSTM050-30	82	0.76
LSM300-50	92	8	LST1100	47, 85	0.07	LSTM050-30C	82	0.324
LSQ200-06	86	4.17	LST116	47, 85	0.084	LSTM050-50	82	0.3
LSQ200-20	86	4.17	LST125-16	84	2.032	LSTM050-50C	82	0.76
LSQ200-30	86	4.17	LST125-30	84	2.22	LSTM050-80	82	0.76
LSQ200-50	86	4.17	LST125-50	84	2.24	LSTM050-80C	82	0.316
LSQ200-80	86	4.17	LST125-80	84	2.18	LSTM050B	83	0.103
LSQ200-B/C	87	3.63	LST125-HB	85	1.846	LSTM050BC	83	0.12
LSQ200-C	87	1.74	LST130	47, 85	0.07	LSTM050G	83	0.02
LSQ200-G	87	0.05	LST150	47, 85	0.07	LSTM050H	83	0.176
LSQ200-PL	47, 49, 85, 87, 91	0.042	LST150-100	84	1.9	LSTM075-30	82	0.76
LSQ200-R	47, 49, 85	0.002	LST150-30	84	2.12	LSTM075-30C	82	0.31
LSQ200R1	87	0.002	LST150-50	84	2.15	LSTM075-50	82	0.288
LSQ200-RV	87, 91	0.004	LST150-80	84	2.13	LSTM075-50C	82	0.308
LSS300-BC	92, 93	23.88	LST150-B	47, 85	0.22	LSTM075-80	82	0.76
LSS300-G	92, 93	0.1	LST150-G	47, 85	0.014	LSTM075-80C	82	0.302

PART NO	PAGE NO(S)	WEIGHT	PART NO	PAGE NO(S)	WEIGHT	PART NO	PAGE NO(S)	WEIGHT
LSTM075H	83	0.161	M100CPG45	40	0.09	M200BRB45	44	0.262
LV025MTV	6	0.06	M100CPG90	41	0.14	M200BRB90	44	0.34
LV025V	6	0.054	M100CR	43	0.24	M200CPG	40	0.43
LV038050MTLV	6	0.07	M100FPT	42	0.09	M200CPG45	40	0.31
LV038050MTV	6	0.058	M100G	45	0.02	M200CPG90	41	0.626
LV038MTV	6	0.07	M100GV	45	0.02	M200CPG90SH	41	0.423
LV038V	6	0.07	M100MPT	42	0.08	M200CR	43	0.692
LV050100MTLV	6	0.125	M100MPTSS	42	0.34	M200FPT	42	0.29
LV050100MTV	6	0.11	M100PA	36	0.25	M200MPT	42	0.26
LV050MTV	6	0.096	M100PAC	36	0.32	M200MPTSS	42	0.81
LV050SLLV	6	0.12	M100PAT	36	0.65	M200PLG	43	0.12
LV050SLV	6	0.08	M100PLG	43	0.05	M200PLG025	43	0.084
LV050V	6	0.084	M100PLG025	43	0.04	M200PLG038	43	0.09
LVHB038050MTV	6	0.064	M100PLG050	43	0.04	M200PLG050	43	0.09
LVHB038V	6	0.06	M100SWFSS	40	0.32	M200PLG075	43	0.1
LVHB050V	6	0.06	M100SWP90	39	0.126	M200PLG100	43	0.11
LVHB-075100MTLV	6	0.135	M100SWPG90	39	0.13	M200SWFSS	40	0.68
LVHB075100MTV	6	0.13	M100TEE	41	0.2	M200SWP90	39	0.365
LVHB075MTV	6	0.13	M101G	45	0.006	M200TEE	41	0.611
LVHB075V	6	0.118	M101TEE	41	0.23	M201G	45	0.05
LVPL025V	6	0.06	M102G	4, 45	0.01	M202G	4, 45	0.025
LVPL038V	6	0.06	M12712	105, 107	N/A	M220100BRB	44	0.15
M100050FPT	42	0.06	M13712	111, 117	4.588	M220100CPG	41	0.15
M100050HBT	44	0.086	M19712X	139, 141	27.046	M220100TEE	41	0.403
M100075BRB	44	0.06	M200100BRB	44	0.15	M220125BRB	44	0.16
M100075BRB90	44	0.06	M200100BRB90	44	0.16	M220150BRB	44	0.16
M100075FPT	42	0.05	M200100CPG	41	0.16	M220150BRB90	44	0.211
M100075HBT	44	0.1	M200100TEE	41	0.525	M220150MPTSS	42	0.65
M100075MPT	42	0.052	M200125BRB	44	0.16	M220200CPG	41	0.2
M100100HBT	44	0.09	M200125BRB45	44	0.18	M220200HBT	44	0.39
M100125BRB	44	0.08	M200125BRB90	44	0.21	M220200SWP90	39	0.356
M100125BRB90	44	0.11	M200125MPT	42	0.2	M220200TEE	41	0.567
M100125BRBSWP90	39	0.15	M200125MPTSS	42	0.2	M220375SWFSS	40	1.35
M100125MPT	42	0.114	M200150BRB	44	0.17	M220A	43	0.2
M100150BRB90	44	0.17	M200150BRB45	44	0.17	M220ASWP90	39	0.399
M100A	43	0.07	M200150BRB90	44	0.21	M220BRB	44	0.19
M100BRB	44	0.066	M200150BRBSWP90	39	0.431	M220BRB45	44	0.225
M100BRB45	44	0.074	M200150FPT	42	0.344	M220BRB90	44	0.309
M100BRB90	44	0.08	M200150MPT	42	0.23	M220BRBSWP90	39	0.399
M100BRBSWP90	39	0.145	M200150MPTSS	42	0.23	M220BWASS	42	0.5
M100BRBSWPG90	39	0.15	M200A	43	0.24	M220CPG	40	0.21
M100CPG	40	0.09	M200BRB	44	0.24	M220CPG3G	40	N/A

REFERENCE

PART NO	PAGE NO(S)	WEIGHT	PART NO	PAGE NO(S)	WEIGHT	PART NO	PAGE NO(S)	WEIGHT
M220CPG45	37, 40	0.24	M300CPG45	37, 40	0.518	MBP200	62	0.26
M220CPG6	37, 40	0.375	M300CPG7	37, 40	0.632	MCV100	40	0.154
M220CPG90	41	0.341	M300CPG90	41	0.745	MCV200	40	0.45
M220CR	43	0.578	M300CR	43	1.215	MCV221	40	0.5
M220D	43	0.73	M300FPT	42	0.514	MCV300	40	1.224
M220FPT	42	0.26	M300MPT	42	0.437	MCV301	40	1.26
M220MPT	42	0.21	M300MPTSS	42	1.85	MEVX100	24	3.82
M220MPTSS	42	0.62	M300MPTSWP90	39	0.833	MEVX100BL	27	4.7
M220MPTSWP90	39	0.331	M300P11PRO	110	N/A	MEVX100SL	27	4.7
M220P6PRO	104	N/A	M300PB	110	N/A	MEVX101	24	4.24
M220PH5	104	55	M300PH6	110	45.4	MEVX1012	28	9.6
M220PH5W	106	55	M300PH6W	116	49	MEVX1013	28	14.548
M220PH6	104	55	M300PLG	43	0.25	MEVX1014	28	19.485
M220PLG	43	0.12	M300PLG075	43	0.23	MEVX102	28	9.073
M220PLG038	43	0.1	M300PLG100	43	0.248	MEVX103	28	14.47
M220PLG075	43	0.11	M300PO	110	9.792	MEVX200	25	4.22
M220PO	104	8.372	M300POW6	116	16.24	MEVX200BL	27	N/A
M220SWFSS	40	0.58	M300SWFSS	40	1.46	MEVX200SL	27	N/A
M220SWP90	39	0.286	M300SWP90	39	0.675	MEVX201	25	4.775
M220SWPG90	39, 41	N/A	M300SWPG90	39	0.75	MEVX220BL	27	6.98
M220TEE	41	0.522	M300TEE	41	1.111	MEVX220SL	27	N/A
M220Y45	37, 41	1.316	M300Y45	37, 41	3.32	MEVX221	25	4.775
M220YG45	37, 41	1.34	M300YG45	37, 41	3.258	MEVX300	26	8.98
M221G	37, 45	0.03	M301G	37, 45	0.03	MEVX300BL	27	N/A
M221GSA	40	0.258	M301GSA	40	0.55	MEVXR100	24	2.491
M222G	4, 45	0.03	M302G	4, 45	0.05	MEVXR100SL	27	4.7
M300200CPG	41	0.267	M303D	43	1.5	MEVXR101	24	3.82
M300220BRB	44	0.284	M305PHYW	116	26.4	MEVXR200	25	2.882
M300220BRB90	44	0.406	M332PIE101W	138	270	MEVXR200SL	27	3.979
M300220CPG	37, 41	0.245	M332PIE10W	138	N/A	MEVXR220	25	3.405
M300220MPTSS	42	1.332	M332PIH13W	138	155	MEVXR220SL	27	6.627
M300220SWP90	39	0.571	M332PIHAW	140	N/A	MEVXR300	26	8.98
M300300HBT	44	1.034	M332PIHYW	140	190	MFM100	38	2.75
M300375SWFSS	40	3.2	M332POIW	138	70.532	MFM220	38	2.75
M300A	43	0.35	MBF100	50	0.9	MFM300	38	5.4
M300ASWP90	39	0.897	MBF100BD	50	0.948	MHV200	36	0.57
M300BRB	44	0.478	MBF200	50	1.37	MHV220A	36, 37	0.8
M300BRB45	44	0.518	MBF200BD	50	1.44	MIS220	37	10.175
M300BRB90	44	0.798	MBF220	50	1.62	MIS300	37	23.06
M300BRBSWP90	39	1.184	MBF220BD	50	1.62	MLEV100	28	0.65
M300CPG	40	0.417	MBF300	50	2.34	MLEV100A	28	1.13
M300CPG12	40	1.01	MBF300BD	50	2.5	MLEV100C	28	N/A

PART NO	PAGE NO(S)	WEIGHT	PART NO	PAGE NO(S)	WEIGHT	PART NO	PAGE NO(S)	WEIGHT
MLS100-80	46	0.88	MLST150-30	46	2	NIP050-SH	77	0.02
MLS100B	47	0.646	MLST150-50	46	2	NIP075-4	77	0.074
MLS100BC	47	0.896	MLST150-80	46	2	NIP075-6	77	0.12
MLS200-06	46	2.25	MLST150-80V	46	2.125	NIP075-SH	77	0.03
MLS200-12	46	2.5	MLST150-H	47	1.292	NIP100-4	77	0.09
MLS200-20	46	2.15	MLST150-HB	47	1.75	NIP100-6	77	0.14
MLS200-30	46	2.15	MPRV100-050	35	1.506	NIP100-SH	77	0.038
MLS200-50	46	3.9	MPRV100-075	35	1.45	NIP125-4	77	0.136
MLS200-80	46	2.15	MPRV100-100	35	1.5	NIP125-6	77	0.22
MLS200B	47	1.526	MPRV100-125	35	1.54	NIP125-SH	77	0.06
MLS200BC	47	2.07	MSUV100FP	15	0.46	NIP150-3	77	0.14
MLS2100SS	49	0.54	MSW220	40	0.4	NIP150-4	77	0.22
MLS220C1	49	0.82	MTF220BD	50	0.75	NIP150-5	77	0.26
MLS220G1	49	0.008	MTF300BD	50	2.092	NIP150-6	77	0.34
MLS220R1	49	0.417	MV100BL	34	1.2	NIP150-SH	77	0.12
MLS222-04	48	3.82	MV100CF	29	0.75	NIP200-4	77	0.25
MLS222-10	48	3.5	MV100SL	34	1.13	NIP200-6	77	0.38
MLS222-16	48	3.7	MV200BL	34	2	NIP200-SH	77	0.14
MLS222-30	48	3.75	MV200CF	29	2.024	NIP2101	62	0.3
MLS222-50	48	3.75	MV200SL	34	2	NIP300-4	77	0.434
MLS222-80	48	3.7	MV220BL	34	4.63	NIP300-6	77	0.696
MLS222B	49	2.2	MV220CF	29	2.798	NIP300-SH	77	0.307
MLS222BC	49	3.25	MV220SL	34	2.75	PLUG025	78	0.03
MLS250SS	49	0.6	MV225CF	29	7.3	PLUG038	78	0.02
MLS280SS	49	0.57	MV300	29	3.9	PLUG050	78	0.02
MLS300-12	48	8	MV300BL	34	6.68	PLUG075	37, 78	0.04
MLS300-20	48	8	MV300CF	29	5.866	PLUG100	78	0.06
MLS300-50	48	8.44	MV301CF	37	6	PLUG125	78	0.09
MLS300B	49	5.01	MVS220CF	30, 37	1.744	PLUG150	78	0.1
MLS300B1	93	5.357	MVS220FP	30	1.804	PLUG200	78	0.152
MLS300BC	49	7.48	MVS300CF	32	3.046	PLUG300	78	0.445
MLS300CAP	49, 93	1.36	MVS300CFFP	32	3.75	PV075	16	0.53
MLS300ECG	49, 93	0.024	MVS300HSFP	33	6.32	PV100	16	0.52
MLS300ECGV	49, 93	0.04	MVSF220FP	30	1.78	PV100-075	16	0.64
MLS300G	49, 93	0.03	MVSF300	32	3.29	PV100-075V	16	0.35
MLST100-100	46	0.75	MVSF300FP	32	4	PV10265	16	0.07
MLST100-30	46	0.75	MVSMT220FP	30	1.75	PV10265V	16	0.2
MLST100-50	46	0.75	MVSMT300	32	3.192	RB038-025	77	0.01
MLST100-80	46	0.75	MVSMT300HSFP	33	6.44	RB050-025	77	0.02
MLST100-H	47	0.467	NIP025-SH	77	0.01	RB050-038	77	0.01
MLST100-HB	47	0.63	NIP038-SH	77	0.02	RB075-025	77	0.04
MLST150-100	46	2	NIP050-3	77	0.04	RB075-038	77	0.03

REFERENCE

PART NO	PAGE NO(S)	WEIGHT	PART NO	PAGE NO(S)	WEIGHT	PART NO	PAGE NO(S)	WEIGHT
RB075-050	77	0.03	SL100-45	79	0.1	TEE038	78	0.05
RB100-025	77	0.07	SL100-90	79	0.13	TEE050	78	0.1
RB100-050	77	0.05	SL125-45	79	0.14	TEE075	78	0.14
RB100-075	77	0.04	SL125-90	79	0.14	TEE100	78	0.21
RB125-075	77	0.09	SL150-45	79	0.22	TEE125	78	0.32
RB125-100	77	0.06	SL150-90	79	0.25	TEE150	78	0.445
RB150-075	77	0.12	SL200-45	79	0.34	TEE200	78	0.584
RB150-100	77	0.1	SL200-90	79	0.41	TEE300	78	1.594
RB150-125	77	0.1	SL300-45	79	0.833	TEG075	78	0.14
RB200-075	77	0.18	SL300-90	79	1.054	TEG100	78	0.22
RB200-100	77	0.17	ST200	63	0.809	TF038SS	67	0.25
RB200-125	77	0.14	ST300	63	1.332	TF050	67	0.25
RB200-150	77	0.12	SUV050FP	15	0.25	TF050SS	67	0.8
RB300-150	77	0.415	SUV075FP	15	0.4	TF075	67	0.2
RB300-200	77	0.359	SUV100FP	15	0.4	TF075SS	67	1.15
RB400-300	77	1.032	SUV125FP	15	0.88	TF075V	67	0.22
RC100-075	77	0.15	SUV150FP	15	0.88	TF100	67	0.35
RC150-100	77	0.2	SUV200FP	15	1.45	TF100AV	68	0.44
RC150-125	77	0.206	SW100	81	0.16	TF100SS	67	2.85
RC200-050	77	0.28	SW150	81	0.36	TF125	67	0.35
RC200-100	77	0.26	SW220	81	0.52	TF125AV	68	0.386
RC200-125	77	0.26	TA283	64	0.2	TF125SS	67	1.92
RC200-150	77	0.26	TA283QD	64	0.3	TF138GV	67	0.1
RC300-200	77	0.624	TC120	76	0.1	TF150	67	0.63
RN050-038	77	0.018	TC130	76	0.1	TF150AV	68	0.68
RN075-050	77	0.03	TC150	76	0.11	TF150SS	67	4.88
RN100-050	77	0.06	TC162	76	0.12	TF200	67	0.55
RN100-075	77	0.06	TC181	76	0.14	TF200AV	68	0.596
RN125-075	77	0.086	TC193	76	0.12	TF200SS	67	3.6
RN125-100	77	0.08	TC206	76	0.14	TF200V	67	0.56
RN150-100	77	0.122	TC218	76	0.13	TF220	67	0.82
RN150-125	77	0.14	TC224	76	0.14	TF220G	67	0.038
RN200-125	77	0.16	TC231	76	0.15	TF220SS	67	5.27
RN200-150	77	0.17	TC250	76	0.16	TF300	67	2
RN300-200	77	0.365	TC287	76	0.17	TF300G	67	0.094
RS21	81	0.756	TC312	76	0.16	TF300SS	67	7.9
RSTB	81	0.704	TC331	76	0.17	TF400	67	4.5
SL025-90	79	0.02	TC343	76	0.17	TF400G	67	0.7
SL038-90	79	0.03	TC425	76	0.18	TF400GV	67	0.752
SL050-90	79	0.06	TC438	76	0.36	TL600C	63	0.46
SL075-45	79	0.07	TC456	76	0.38	TL650S	63	0.5
SL075-90	79	0.08	TEE025	78	0.02	TL651S	63	0.7

PART NO	PAGE NO(S)	WEIGHT	PART NO	PAGE NO(S)	WEIGHT	PART NO	PAGE NO(S)	WEIGHT
TL652E	63	0.64	V200	7	1.88	VSFMT300FP	12	4.29
TL652S	63	0.63	V20018	101, 103, 113, 123, 125, 129, 131, 133, 135, 137, 143, 147, 149, 151	0.004	VSFMT300HSFP	12	6.63
TL6531	64	0.084	V20019	129, 131, 133, 135, 151	0.016	VSMT200	10, 12	1.35
TLVA10	63	2.25	V200BL	13	2.8	VSMT200CF	30	1.432
TM075/050	81	0.16	V200FP	8	3.25	VSMT204FP	11	1.874
UB100	41	0.24	V200SL	13	2.75	VSMT300	12	3.27
UB202	41	0.26	V20153138	7	0.176	VSS025	16	0.634
UB220	41	0.32	V20207	64, 73	0.006	VSS038	16	0.59
UV050FP	15	0.25	V204FP	9	2.74	VSS050	16	0.7
UV075FP	15	0.25	V25153138	7	0.16	VSS075	16	1.298
UV100FP	15	0.37	V25270	7, 8	0.194	VSS100	16	2.094
UV125FP	15	1	V25271	7, 8	0.356	VSS150	16	3.996
UV150FP	15	1	V300	8	3.75	VSS200	16	6.808
UV15163	47, 85, 89, 97, 99, 101, 103, 107, 115, 117, 119, 121, 123, 125, 131, 133, 135, 139, 141	0.002	V300FP	8	5.67	VSS300	16	18.43
UV15163V	89, 97, 101, 115, 145, 147, 149, 151	0.002	V400	8	8.5	W230237	61	1.07
UV200FP	15	1.5	VA150	14	2.592	W230238	61	1.17
UV204FPPFD	62	1.58	VA200	14	2.8	W230239	61	1.07
V050	7	0.75	VA200FP	14	3.958	W230240	61	1.1
V07018	97, 99, 101, 103, 105, 107, 109, 111, 113, 115, 117	0.1	VC200	68	0.219	WSF210FSA	61	1.2
V07019	97, 99, 101, 103, 105, 107, 109, 111, 113, 115, 117	0.008	VC230	68	0.26	WSF210FSAV	61	1
V075	7	0.75	VC300	68	0.54	WSMT210FSA	61	1.07
V075BL	13	1.35	VC330	68	0.68	WSMT210FSAV	61	1
V075SL	13	1.35	VFMT200FP	8	3.368			
V100	7	0.682	VFMT204FP	9	3.33			
V100BL	13	1.25	VL20153	7	0.35			
V100FP	7	1.16	VL25153	8	0.41			
V100SL	13	1.31	VN100	14	0.712			
V10117	141	0.1	VS204FP	11	1.834			
V10118	119, 121, 123, 125, 127, 129, 139, 141, 145, 147, 149, 151	0.004	VSBB204FP	5	2.675			
V10119	101, 119, 121, 123, 125, 127, 139, 145, 147, 149, 151	0.1	VSBB205FP	5	2.965			
V10153138	7	0.07	VSBB304FP	5	5.1			
V10161	14	0.176	VSBB305FP	5	5.52			
V10264	143	0.002	VSF200	10	1.25			
V10270	7	0.138	VSF200CF	30	1.49			
V10271	7	0.14	VSF200PPAF	9	3.05			
V125	7	1.25	VSF204FP	11	1.82			
V125BL	13	2.126	VSF300	12	3.424			
V125FP	7	1.91	VSFHB200	10	1.52			
V125SL	13	2.07	VSFMT200	10, 12	1.562			
V150	7	1.87	VSFMT204FP	11	1.862			
V150BL	13	2	VSFMT204HSFP	11	2.95			
V150SL	13	2	VSFMT300	12	3.374			



BANJO CORPORATION
A Unit of IDEX Corporation
150 Banjo Drive
Crawfordsville, IN 47933 U.S.A.
Telephone: (765) 362-7367
Fax: (765) 362-0744
banjocorp.com
#yellowhandle

Follow us on:



Scan to visit
BanjoCorp.com

