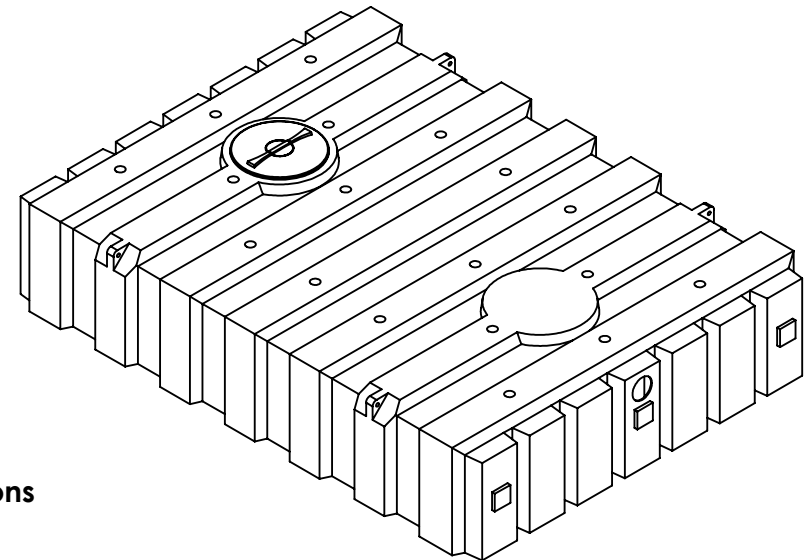
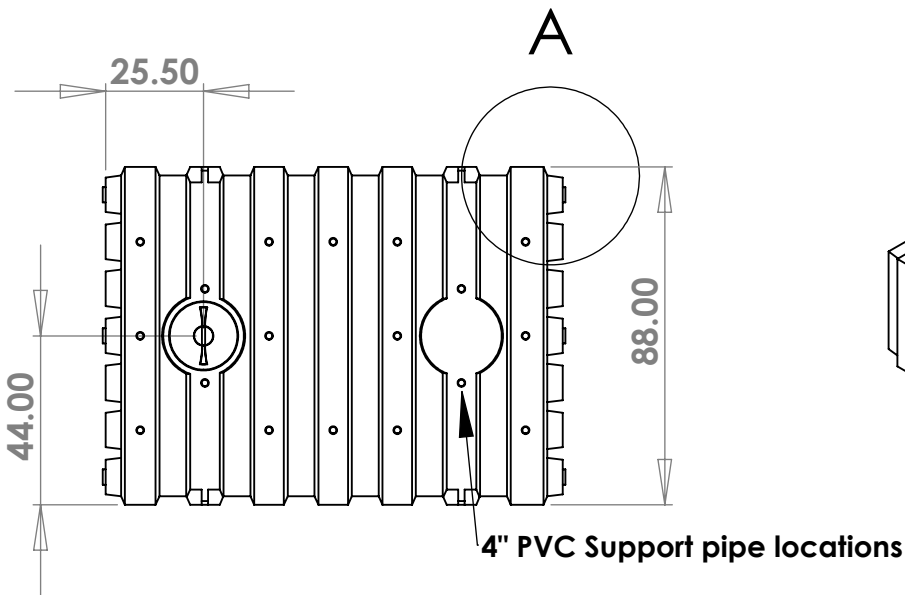


DETAIL A
SCALE 1 : 25



Tank wall thickness is 0.200" nominal.
The inlet fitting may be placed at either end of the tank.
Not for burial applications.
780 imperial gallon working capacity.

PROPRIETARY AND CONFIDENTIAL
THE INFORMATION CONTAINED IN THIS DRAWING IS THE SOLE PROPERTY OF WESTLAND PLASTICS LTD. ANY REPRODUCTION IN PART OR AS A WHOLE WITHOUT THE WRITTEN PERMISSION OF WESTLAND PLASTICS LTD. IS PROHIBITED.

		UNLESS OTHERWISE SPECIFIED:		NAME	DATE
		DIMENSIONS ARE IN INCHES TOLERANCES: FRACTIONAL ± ANGULAR: MACH ± BEND ± TWO PLACE DECIMAL ± THREE PLACE DECIMAL ±	DRAWN	JPP	090420
		INTERPRET GEOMETRIC TOLERANCING PER:	CHECKED	JPP	090420
		MATERIAL HD Polyethylene	ENG APPR.		
NEXT ASSY	USED ON	FINISH	MFG APPR.		
		APPLICATION	REVISION	JPP	111212
		DO NOT SCALE DRAWING	COMMENTS: All dimensions are for reference only.		



TITLE: LF780		
SIZE A	DWG. NO. LF780	REV 3
SCALE: 1:50	WEIGHT:	SHEET 1 OF 1