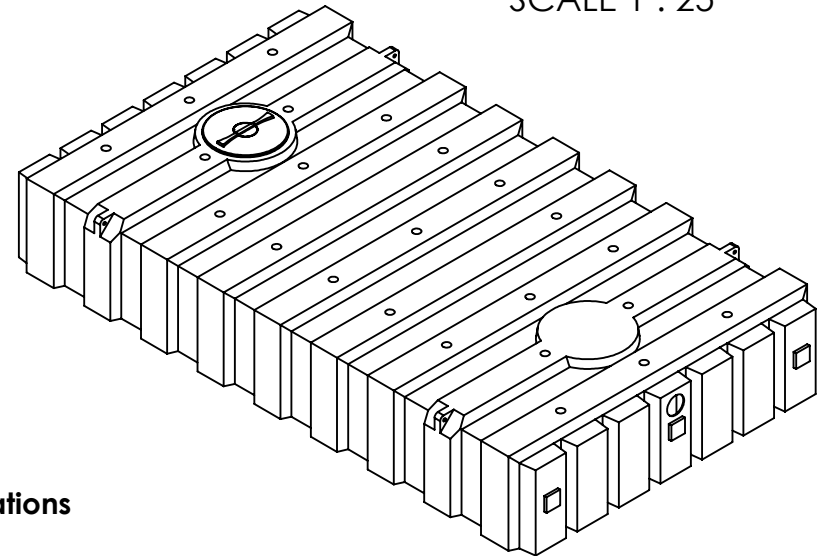
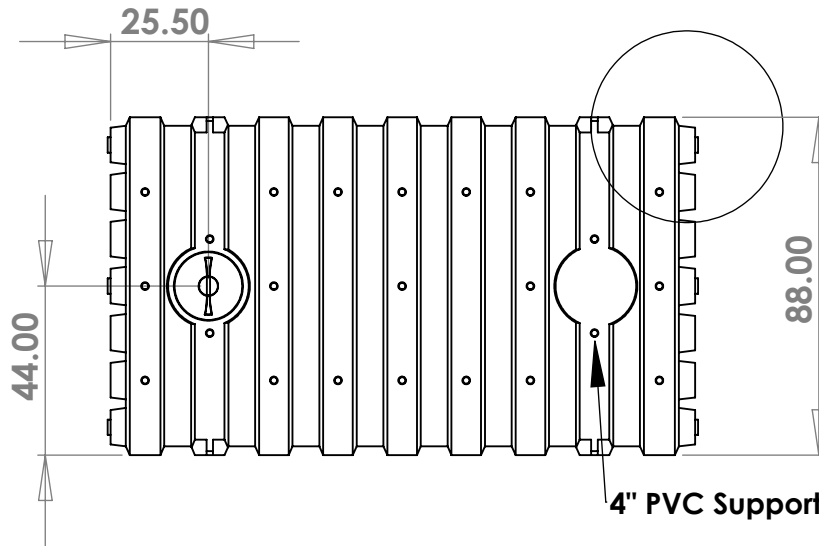


DETAIL A
SCALE 1 : 25



Tank wall thickness is 0.200" nominal.
The inlet fitting may be placed at either end of the tank.
Not for burial applications.
1000 imperial gallon working capacity.

PROPRIETARY AND CONFIDENTIAL
THE INFORMATION CONTAINED IN THIS DRAWING IS THE SOLE PROPERTY OF WESTLAND PLASTICS LTD. ANY REPRODUCTION IN PART OR AS A WHOLE WITHOUT THE WRITTEN PERMISSION OF WESTLAND PLASTICS LTD. IS PROHIBITED.

		UNLESS OTHERWISE SPECIFIED:		NAME	DATE
		DIMENSIONS ARE IN INCHES	DRAWN	JPP	090420
		TOLERANCES:	CHECKED	JPP	090420
		FRACTIONAL ±	ENG APPR.		
		ANGULAR: MACH ± BEND ±	MFG APPR.		
		TWO PLACE DECIMAL ±	REVISION	JPP	111212
		THREE PLACE DECIMAL ±	COMMENTS:		
		INTERPRET GEOMETRIC TOLERANCING PER:	All dimensions are for reference only.		
		MATERIAL			
		HD Polyethylene			
NEXT ASSY	USED ON	FINISH			
APPLICATION		DO NOT SCALE DRAWING			



TITLE:		
LF1000		
SIZE	DWG. NO.	REV
A	LF1000	3
SCALE: 1:50	WEIGHT:	SHEET 1 OF 1