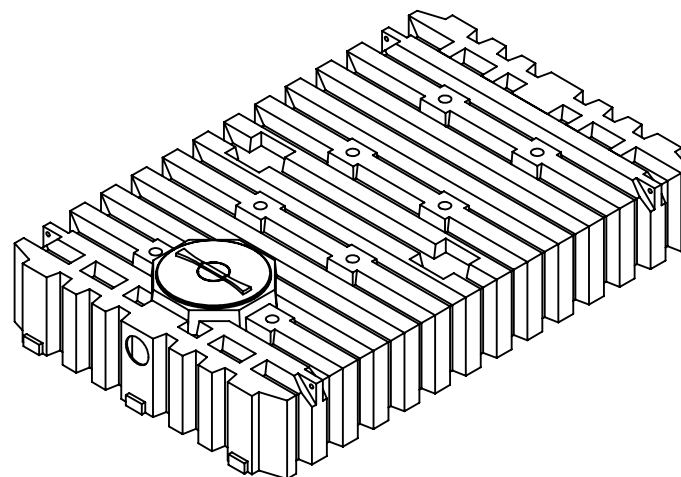
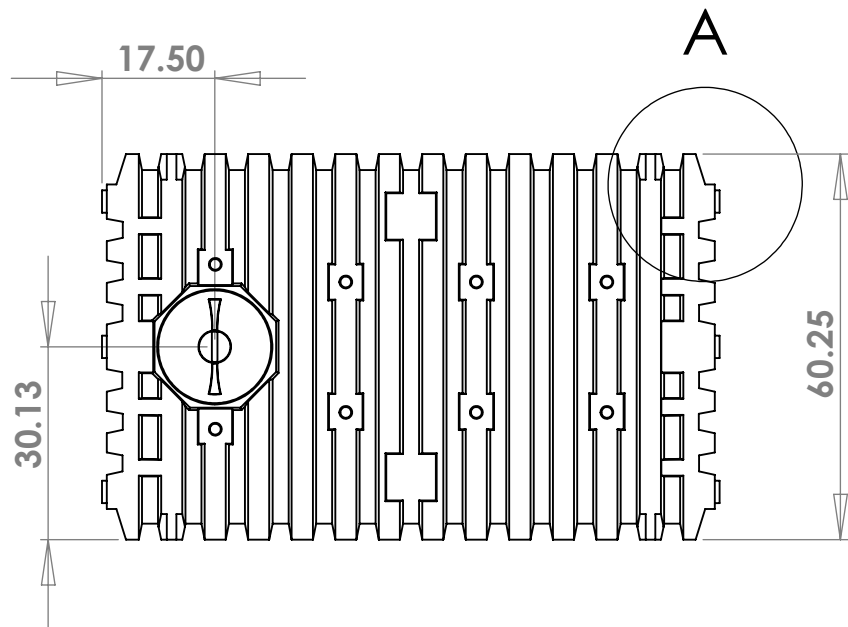


DETAIL A  
SCALE 1 : 15



Tank wall thickness is 0.200" nominal.  
The inlet fitting may be placed at either end of the tank.  
Not for burial applications.  
250 imperial gallon working capacity.

**PROPRIETARY AND CONFIDENTIAL**  
THE INFORMATION CONTAINED IN THIS DRAWING IS THE SOLE PROPERTY OF WESTLAND PLASTICS LTD. ANY REPRODUCTION IN PART OR AS A WHOLE WITHOUT THE WRITTEN PERMISSION OF WESTLAND PLASTICS LTD. IS PROHIBITED.

		UNLESS OTHERWISE SPECIFIED:		NAME	DATE
		DIMENSIONS ARE IN INCHES	DRAWN	JPP	110907
		TOLERANCES:	CHECKED	JPP	110907
		FRACTIONAL ±	ENG APPR.		
		ANGULAR: MACH ± BEND ±	MFG APPR.		
		TWO PLACE DECIMAL ±	REVISION	JPP	111212
		THREE PLACE DECIMAL ±	COMMENTS:		
		INTERPRET GEOMETRIC TOLERANCING PER:	All dimensions are for reference only.		
		MATERIAL			
		HD Polyethylene			
NEXT ASSY	USED ON	FINISH			
APPLICATION		DO NOT SCALE DRAWING			



TITLE:		
<b>LF250</b>		
SIZE	DWG. NO.	REV
<b>A</b>	LF250	<b>2</b>
SCALE: 1:50	WEIGHT:	SHEET 1 OF 1