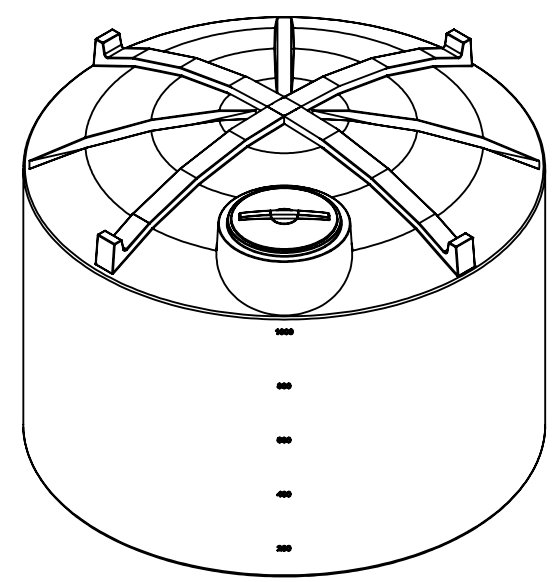
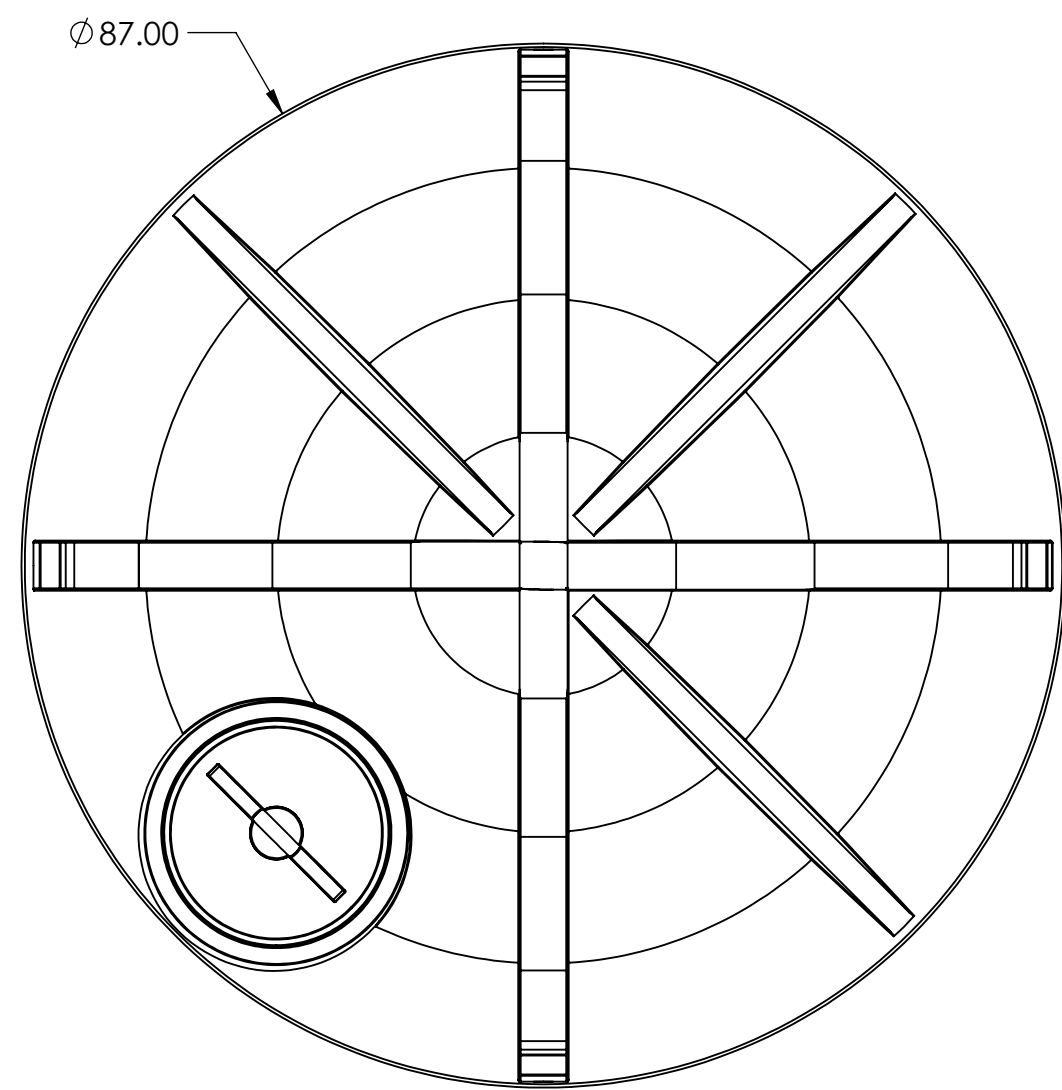
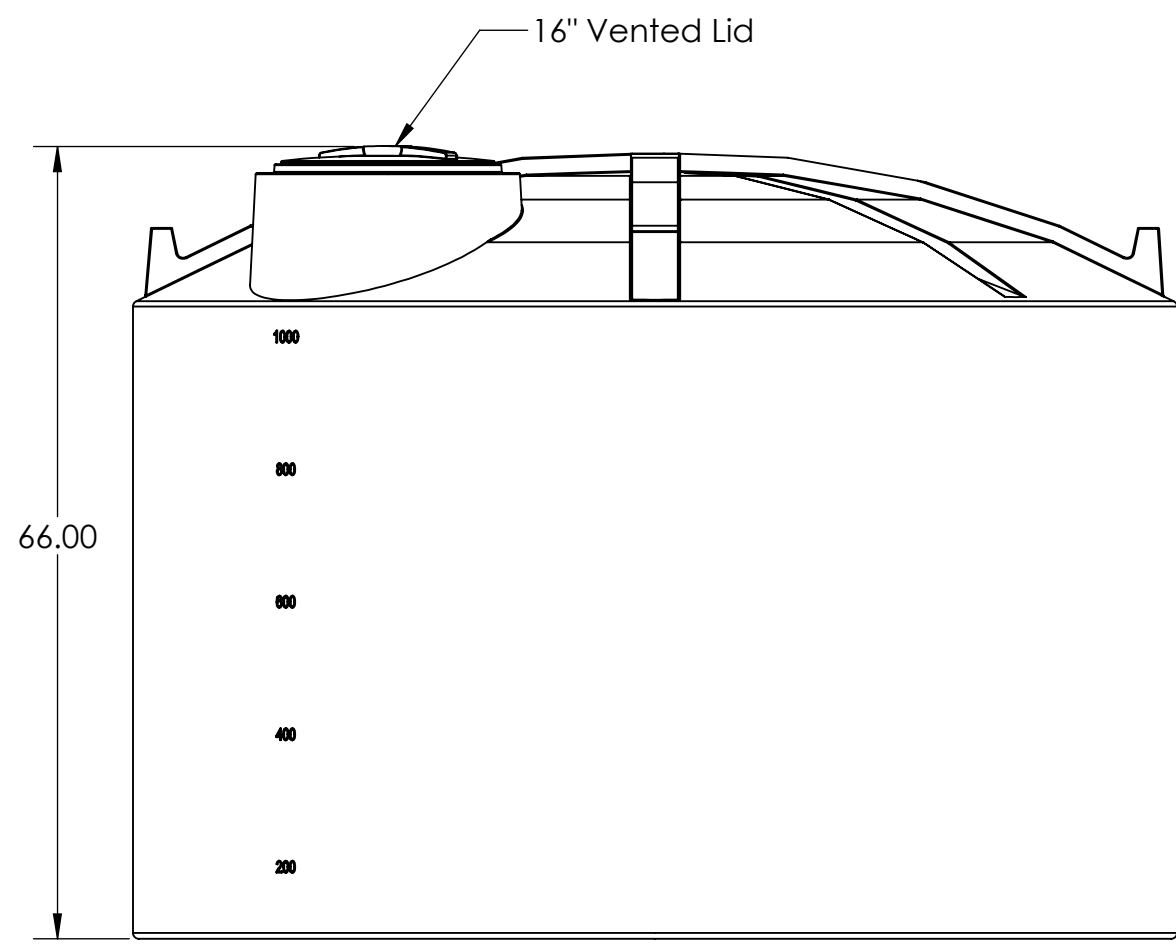




8 7 6 5 4 3 2 1

D  
C  
B  
A



**NOTES:**  
1) MATERIAL: Polyethylene

UNLESS OTHERWISE SPECIFIED ALL DIMENSIONS ARE IN INCHES	BY	MM/DD/YY	 <b>POLYWEST</b> <sup>®</sup> <i>liquid handling products</i>		
	DRAWN	JP 05/04/2020			
	CHECKED	JP 05/04/2020	TITLE: Vertical Tank 1250 Imperial Gallon		
	ENG APPR.				
DO NOT SCALE DRAWING	PROPRIETARY AND CONFIDENTIAL  THE INFORMATION CONTAINED IN THIS DRAWING IS THE SOLE PROPERTY OF POLYWEST. ANY REPRODUCTION IN PART OR AS A WHOLE WITHOUT THE WRITTEN PERMISSION OF POLYWEST IS PROHIBITED.		SIZE	PART NO.	REV
 THIRD ANGLE PROJECTION			<b>B</b>	<b>VT1250</b>	<b>A</b>
		SCALE: 1:16	SOLIDWORKS	SHEET 1 OF 1	

8 7 6 5 4 3 2 1