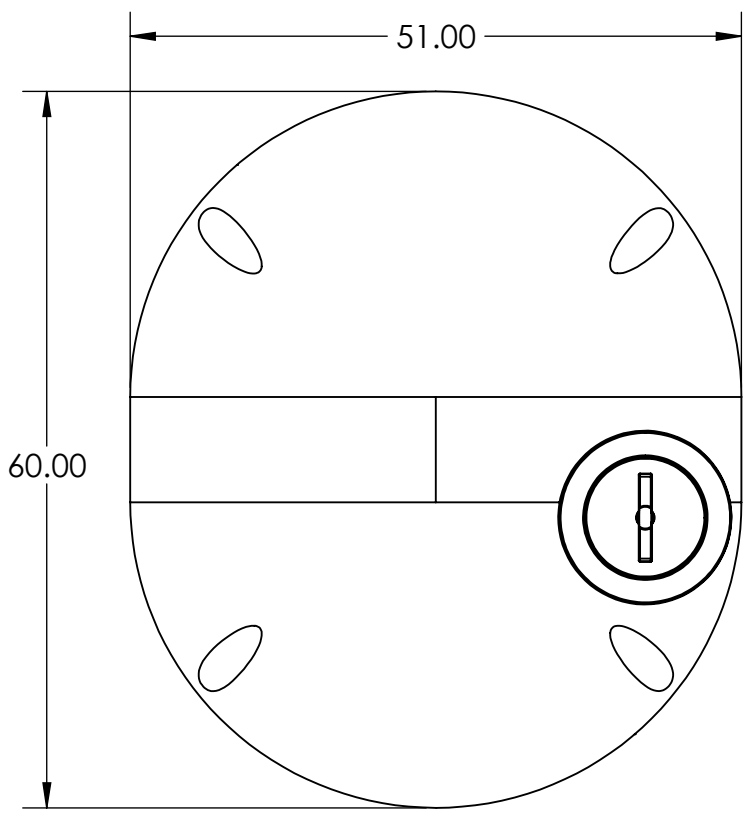
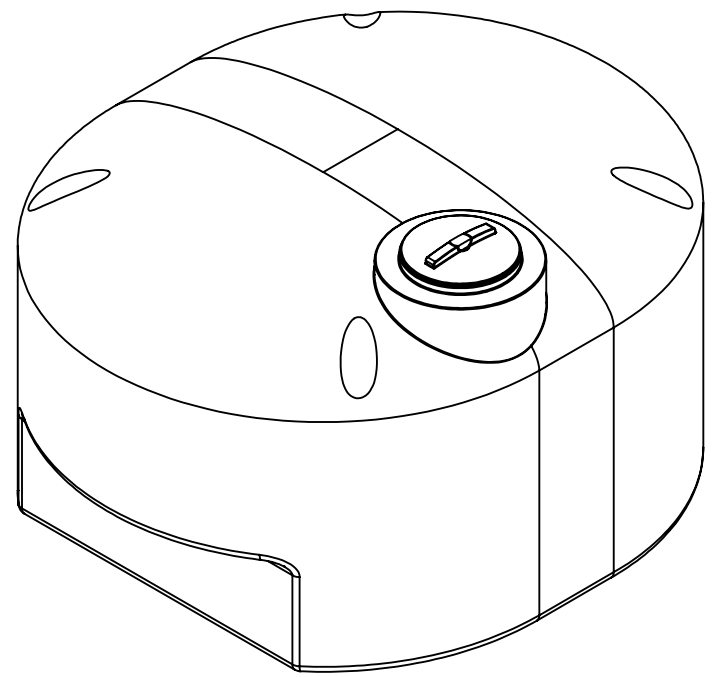


8 7 6 5 4 3 2 1

D



D

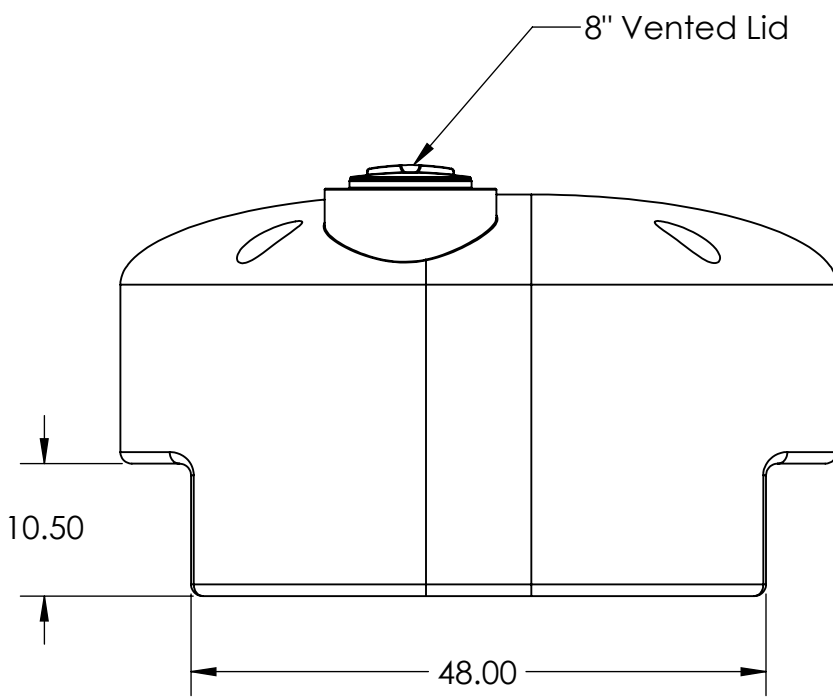
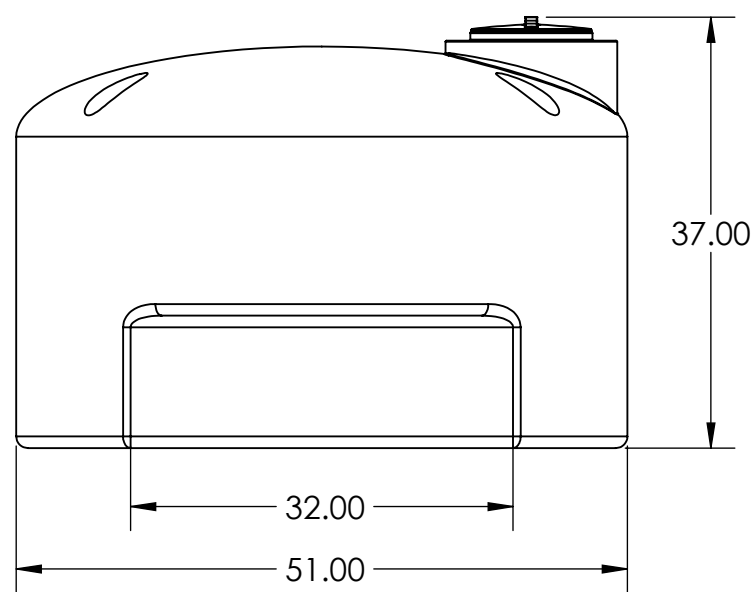


C

C

B

B



A

A

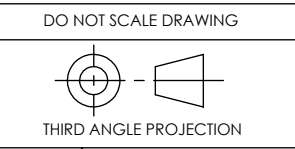
**NOTES:**  
1) MATERIAL: Polyethylene

UNLESS OTHERWISE SPECIFIED  
ALL DIMENSIONS ARE IN INCHES

	BY	MM/DD/YY
DRAWN	JP	05/01/2020
CHECKED	JP	05/08/2020
ENG APPR.		

**POLYWEST**<sup>®</sup>  
*liquid handling products*

TITLE:  
Pickup Truck Tank 250 Imperial Gallon



**PROPRIETARY AND CONFIDENTIAL**

THE INFORMATION CONTAINED IN THIS DRAWING IS THE SOLE PROPERTY OF POLYWEST. ANY REPRODUCTION IN PART OR AS A WHOLE WITHOUT THE WRITTEN PERMISSION OF POLYWEST IS PROHIBITED.

SIZE	PART NO.	REV
<b>B</b>	<b>TT250</b>	<b>A</b>

SCALE: 1:16      SOLIDWORKS      SHEET 1 OF 1

8 7 6 5 4 3 2 1