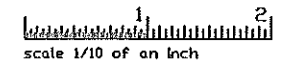
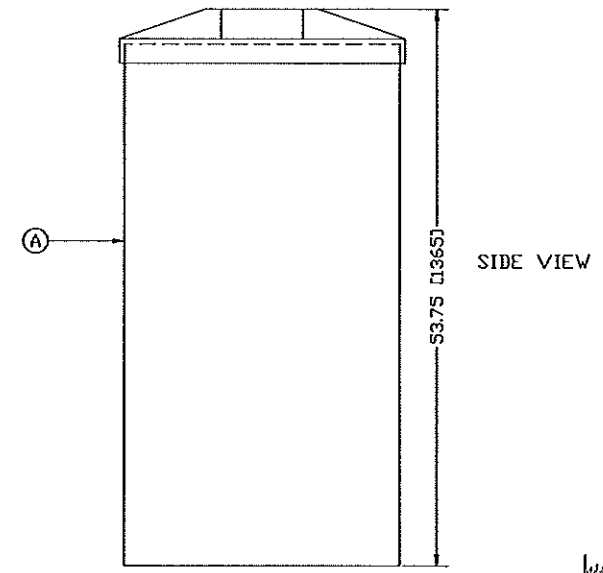
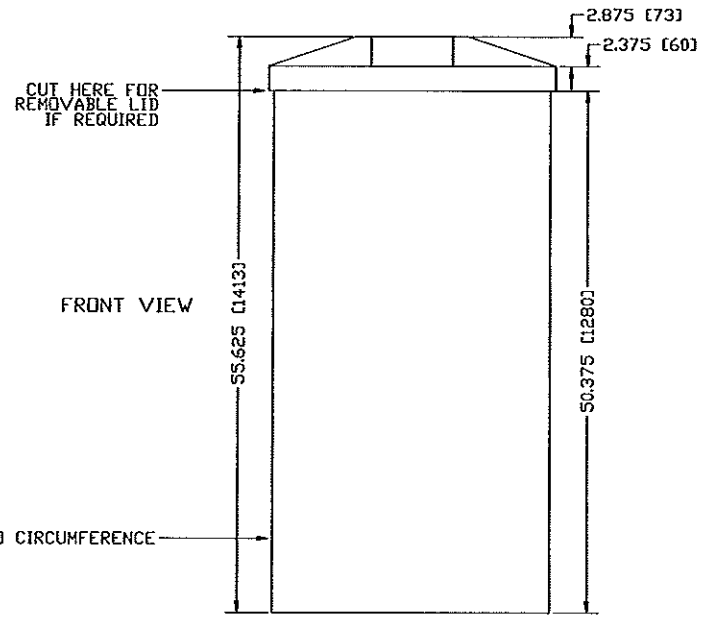


ITEM	CRITICAL DIMENSIONS	MAX.	MIN.
A	WALL THICKNESS	.27"	.20"
B	PRODUCT WEIGHT	38.25 lbs.	37.75 lbs.



NOTE: 1. ALL DIMENSIONS ARE SHOWN IN INCHES AND (MILLIMETERS).

REV.	DESCRIPTION	DRWN	CK'D	APP'D	DATE
A	REV. TOL. ADDED CRIT. DIM. PREVIOUS DVG# W000101A				

ALL TOLERANCES = ± .0025 in. OR ± 1.6micr	<b>WESTLAND</b> PLASTICS LIMITED	PRODUCT NAME: MC100GAL
UNLESS OTHERWISE NOTED		DRAWING NO. W0101A
DRWN BY: CJP	DATE: OCT 6/93	B
CK'D BY: JPP	DATE: OCT 6/93	
APP'D BY: HS	DATE: OCT 6/93	
SCALE: 1 = 12	PAGE: 1 OF 1	