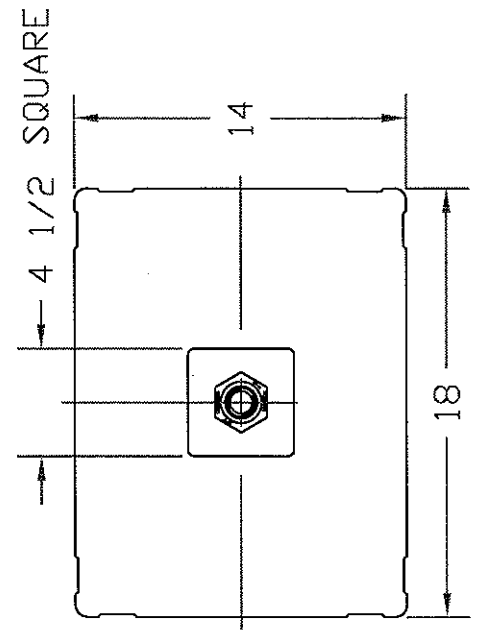
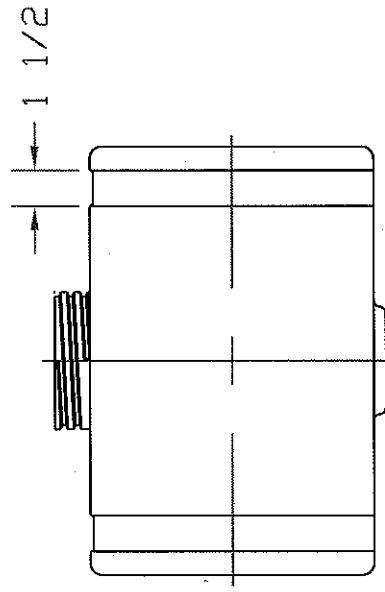
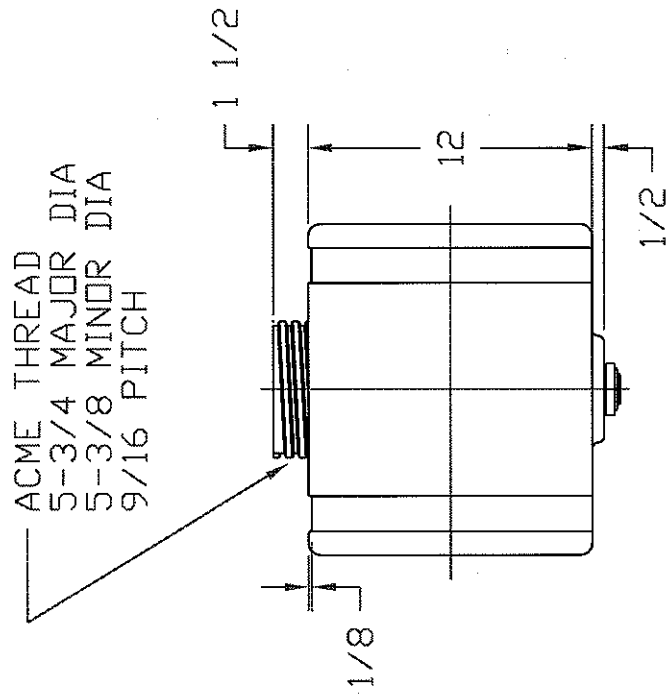
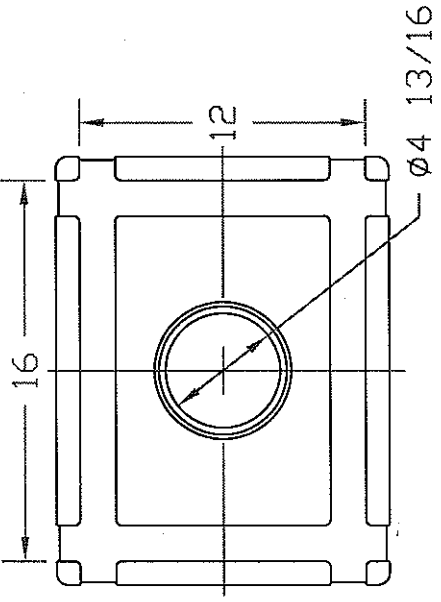


REVISIONS

ZONE	REV	DESCRIPTION	DATE	APPROVED
	A	REDRAWN	25AUG97	
	B	LID THREAD REVISED	09FEB00	



NORWESCO
ST. BONIFACIUS, MN

12 GALLON APPLICATOR
TANK

JTP	25AUG97	SIZE	FSCM NO.	DWG NO.	REV
		A			B
SCALE 1/8				SHEET	