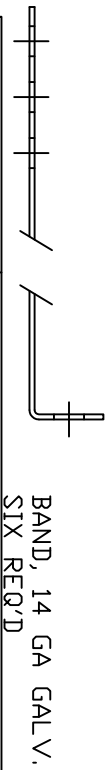
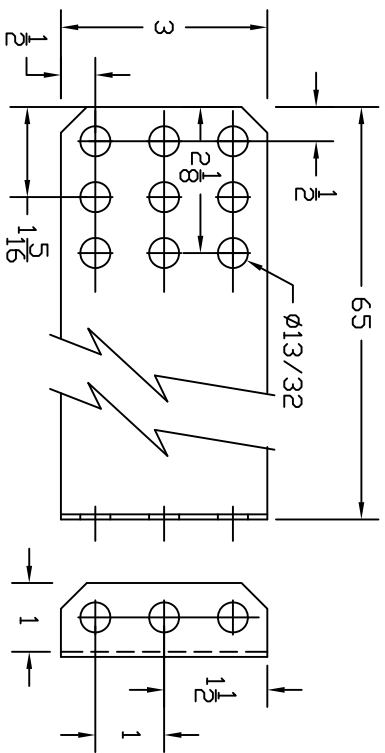
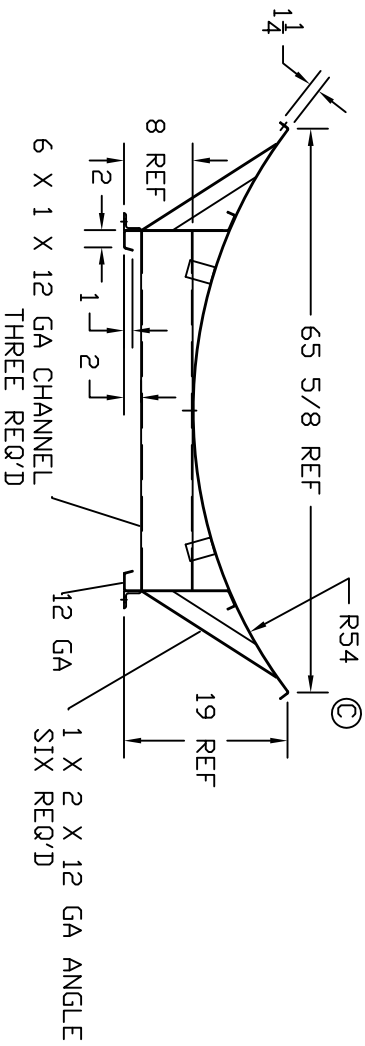
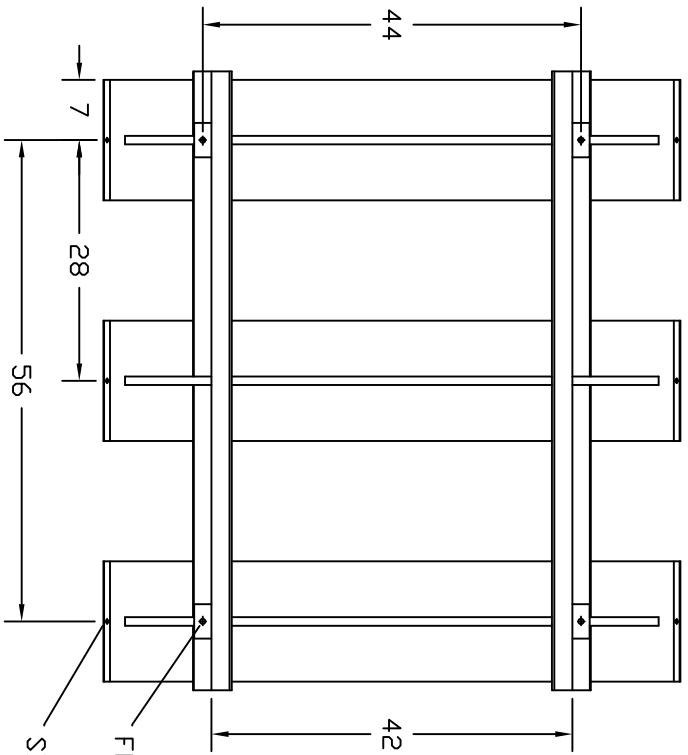
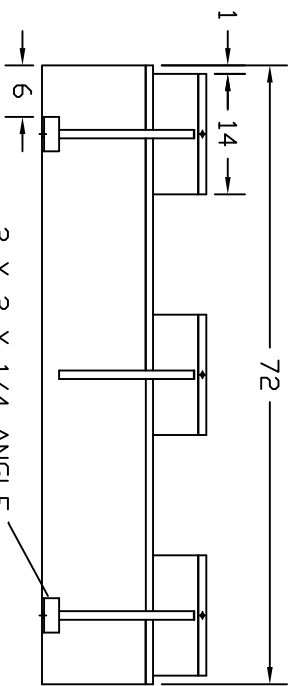


PAINT SKID WELDMENT BLACK

REVISIONS

ZONE	REV	DESCRIPTION	DATE	APPROVED
	C	REDRAWN, R WAS 61	18MAR02	
		29/32		
D		BAND REVISED & REDRAWN	09APR09	



FOUR HOLES, 5/8 DIA
SIX HOLES, 7/16 DIA

norwesco
ST. BONIFACIUS, MN
1000 ELLIPTICAL SKID

JTP	18MAR02	SIZE	FSOM NO.	DWG NO.	REV
		B			D
SCALE 1/16				SHEET	