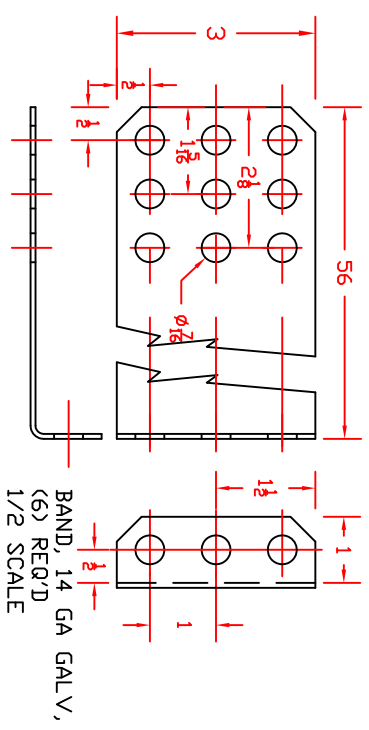
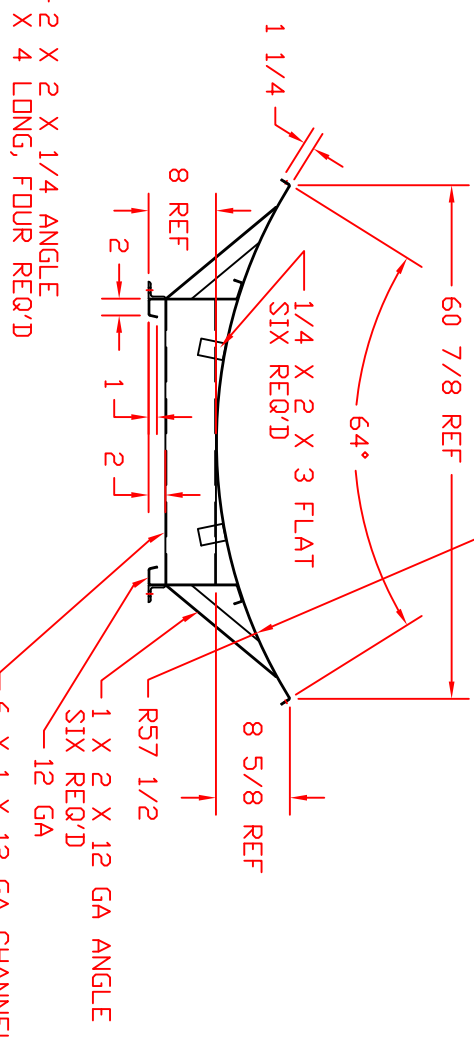
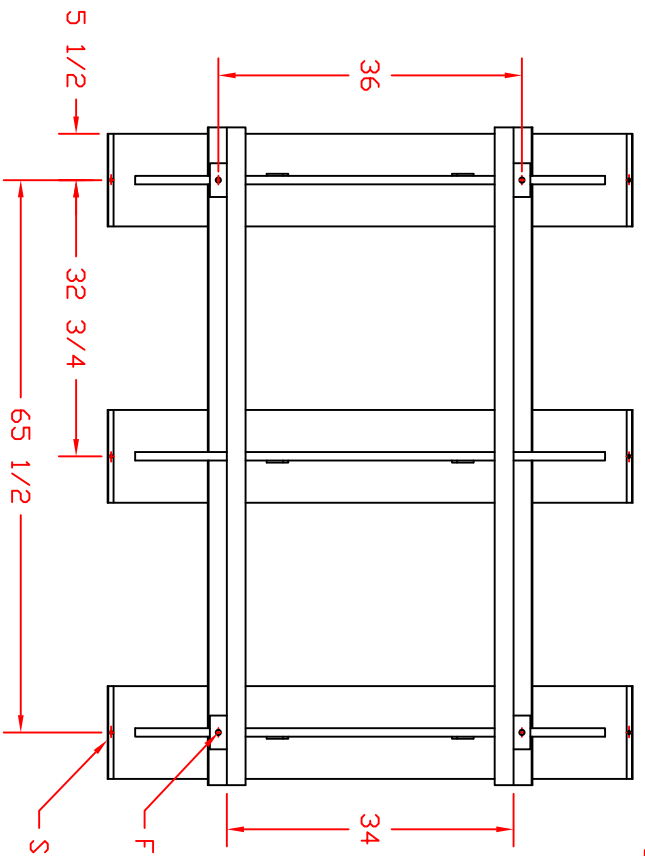
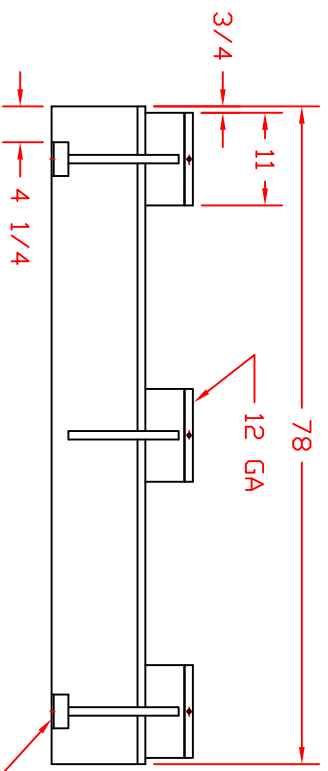


PAINT SKID WELDMENT BLACK

REVISIONS				
ZONE	REV	DESCRIPTION	DATE	APPROVED
C	BAND WAS 1-PC, (3) REQ	26APR02		A REDRAWN
D	BAND REVISED & REDRAWN	09APR09		B WAS BLUE



FOUR HOLES, 5/8 DIA
SIX HOLES, 7/16 DIA

NORWESCO
ST. BONIFACIUS, MN

750 ELLIPTICAL SKID

JTP 18SEP97
SCALE 1/16

SIZE B
FSCM NO.
DWG NO.
SHEET

REV D