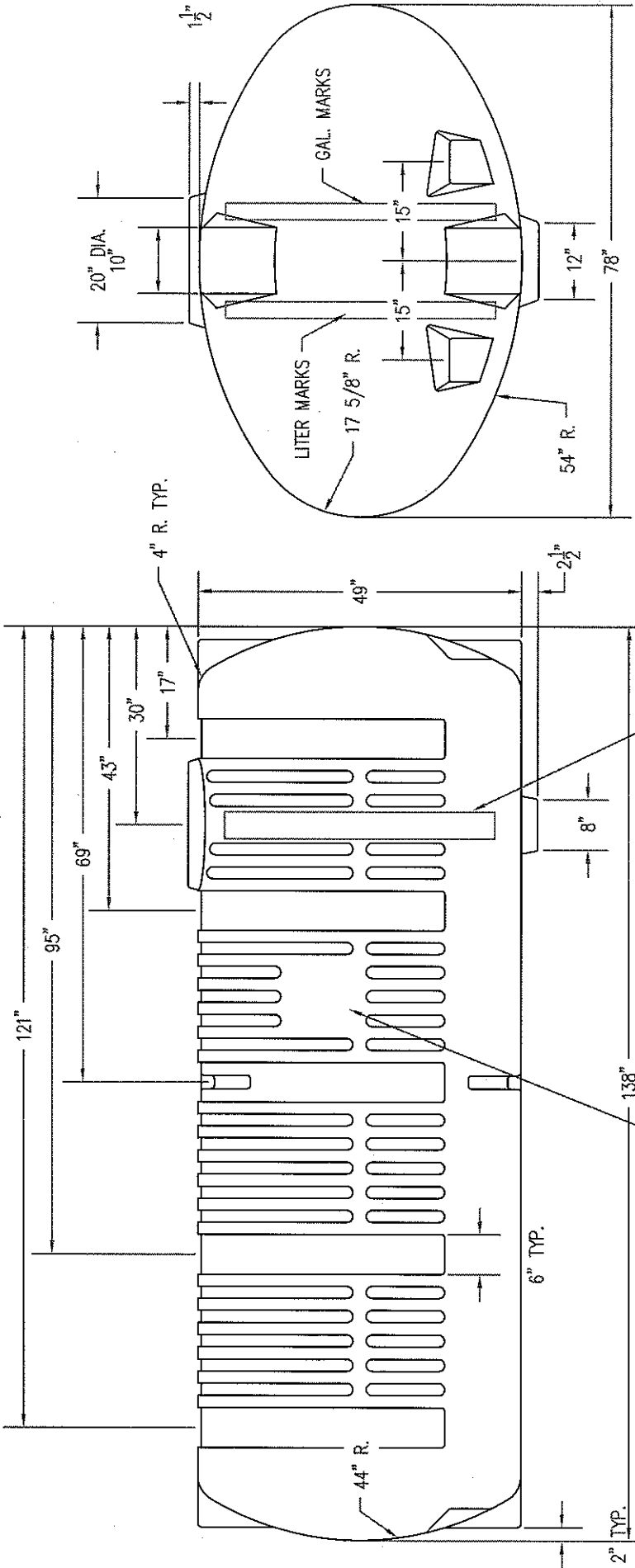


REVISIONS		DESCRIPTION	DATE	APPROVED
ZONE	REV			



NORWESCO
ST. BONIFACIUS, MN

1600 GALLON
ELLIPTICAL TANK

JTP 14JUL03

SIZE A
FSCM NO.

DWG NO.

REV

SCALE 1/24

SHEET