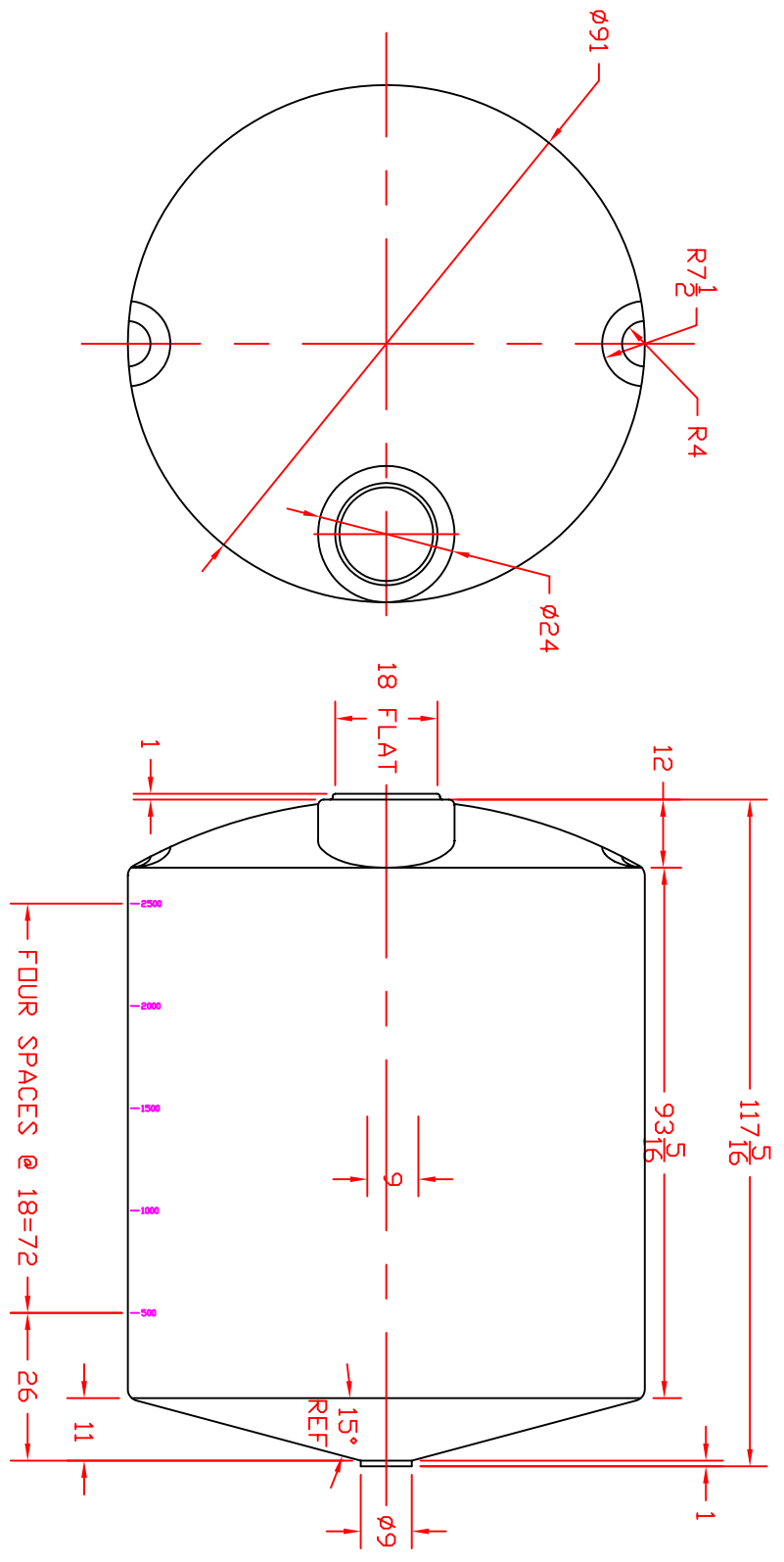


REVISIONS				
ZONE	REV	DESCRIPTION	DATE	APPROVED



		ST. BONIFACIUS, MN	
		3000 GAL CONE BOTTOM TANK X 15DEG	
JTP	21SEP98	SCALE 1/24	SHEET
SIZE	FSOM NO.	DWG NO.	REV
B			