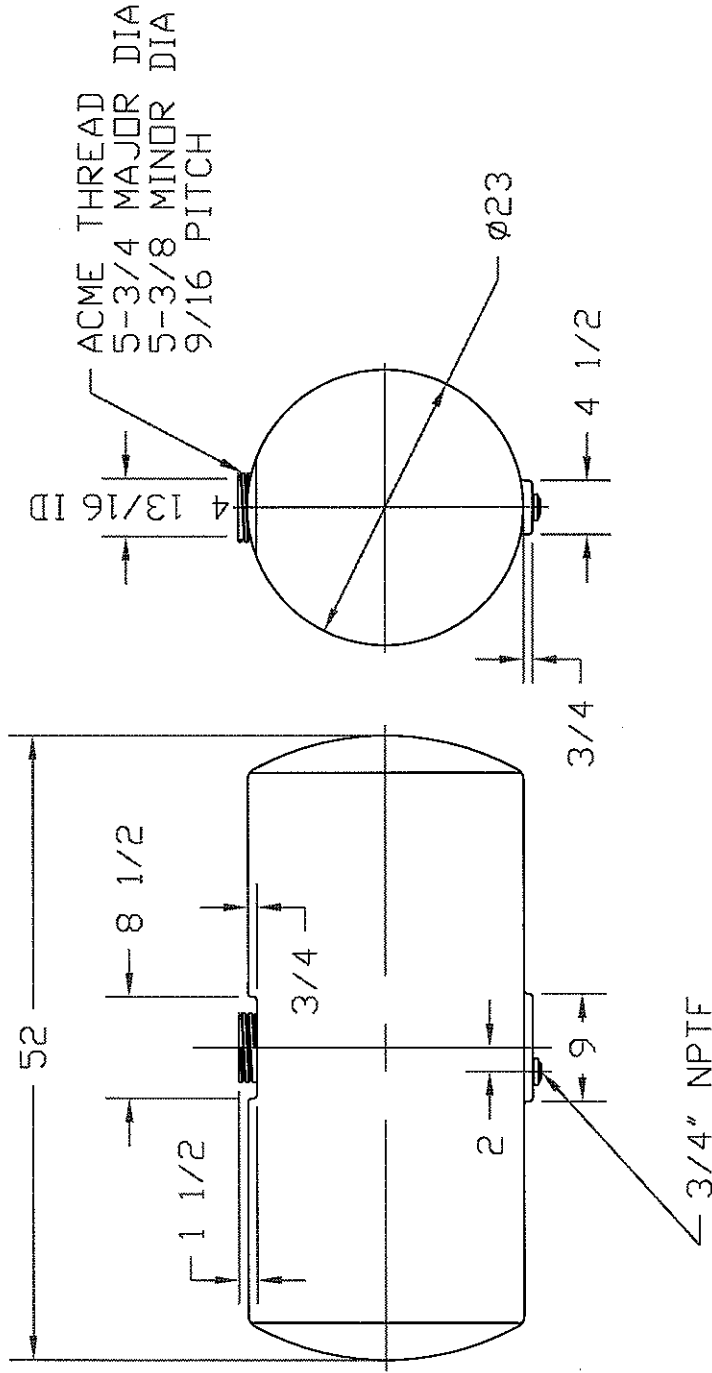


REVISIONS

ZONE	REV	DESCRIPTION	DATE	APPROVED
	A	LID THREAD REVISED	23FEB00	



NORWESCO
ST. BONIFACIUS, MN

85 GALLON
APPLICATOR TANK

JTP 200CT97	SIZE A	FSCM NO.	DWG NO.	REV
			SCALE 1/16	SHEET