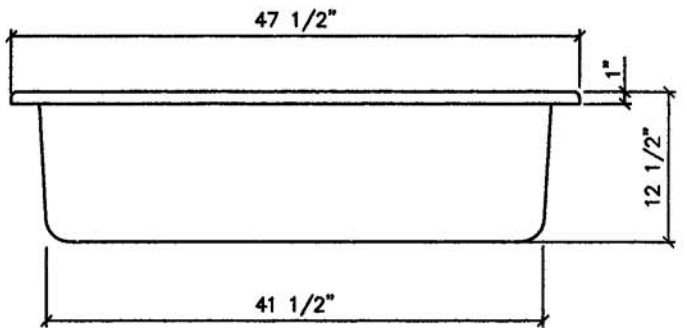
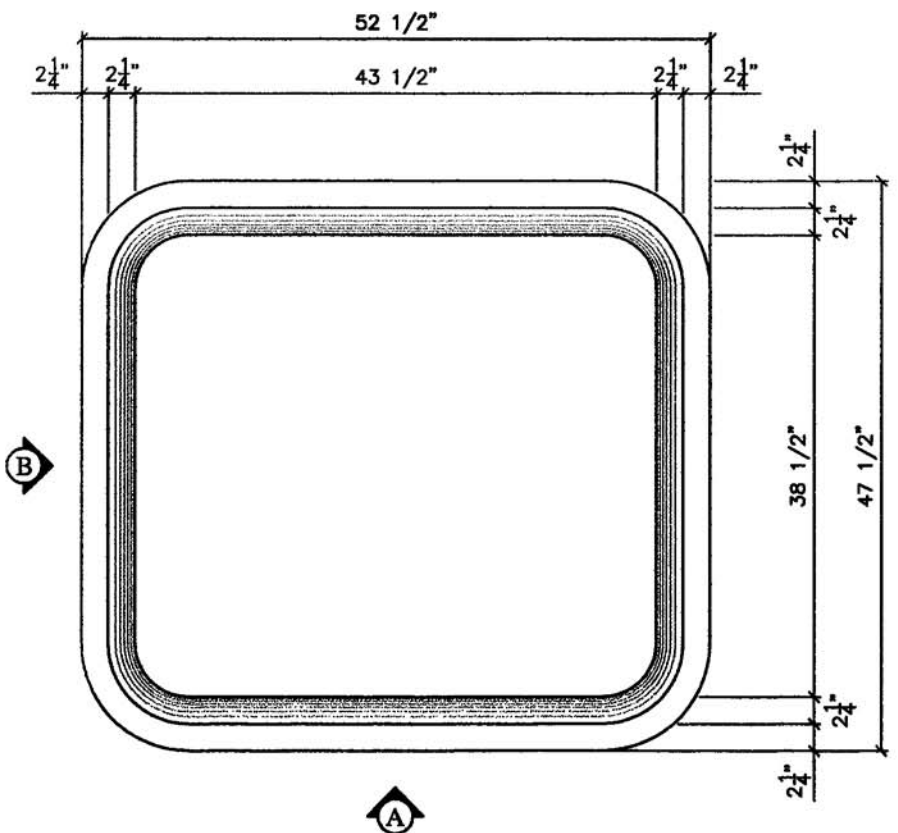


VIEW A



VIEW B



NOTE:
ALL DIMENSIONS ARE IN INCHES UNLESS OTHERWISE SPECIFIED

100 IMPERIAL GALLON CONTAINMENT BASIN		
DWG NO:		REV
SCALE:	1:16	