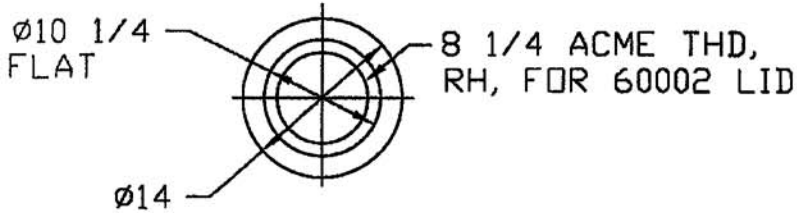
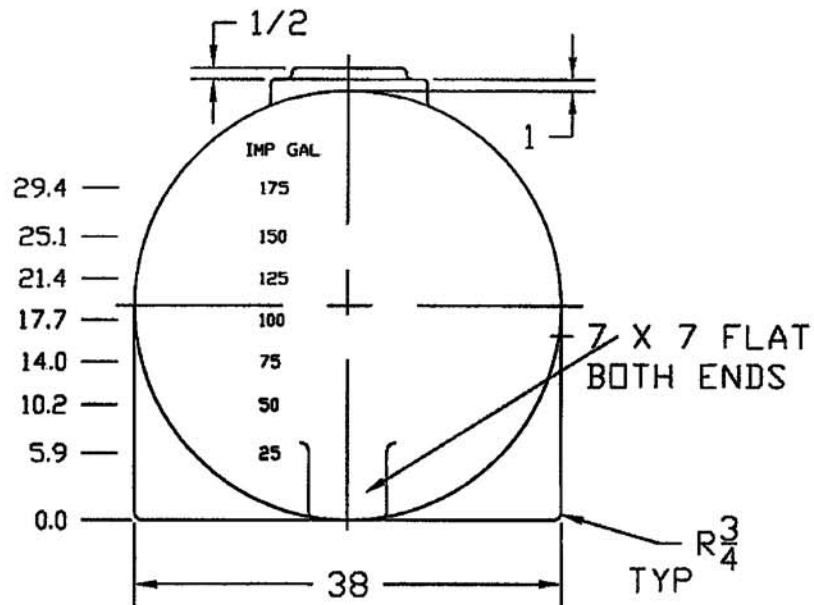
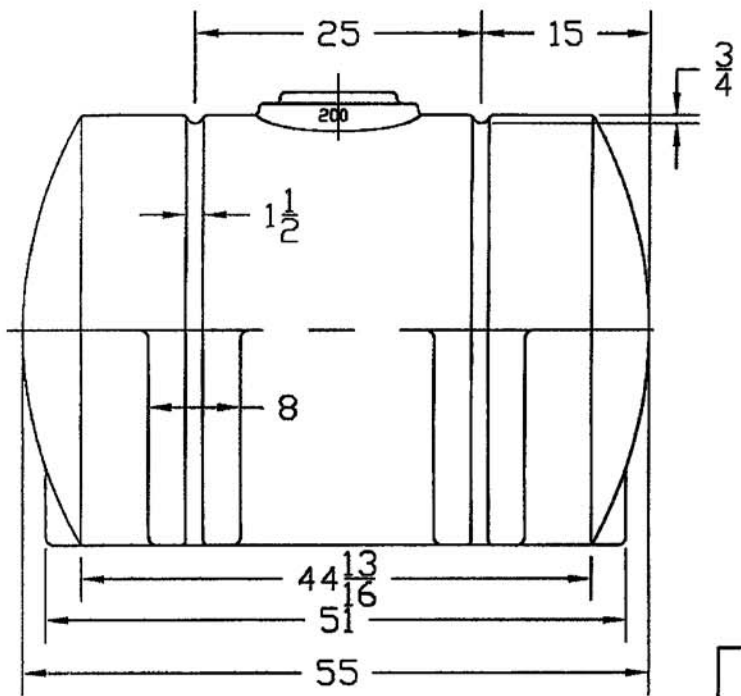


REVISIONS				
ZONE	REV	DESCRIPTION	DATE	APPROVED



NOTE: GALLONAGE MARKS ON ONE END ONLY



		NORWESCO CANADA		
		200 IMPERIAL GALLON HORIZONTAL LEG TANK		
JTP	18FEB02	SIZE A	FSCM NO.	DWG NO. 41943
		SCALE 1/16		REV
				SHEET