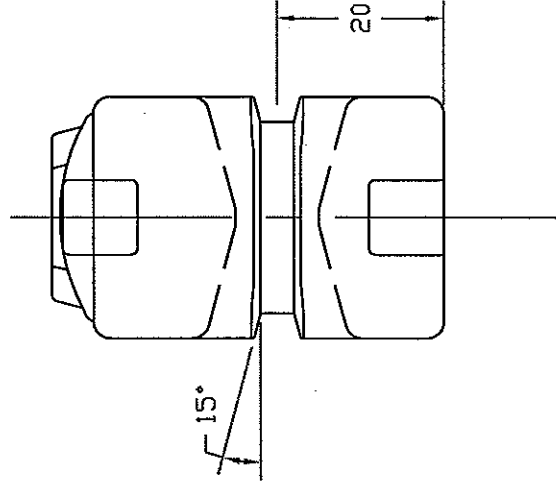
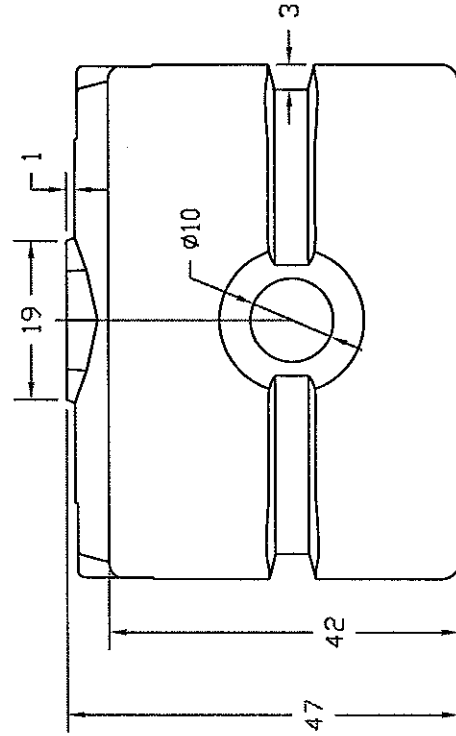
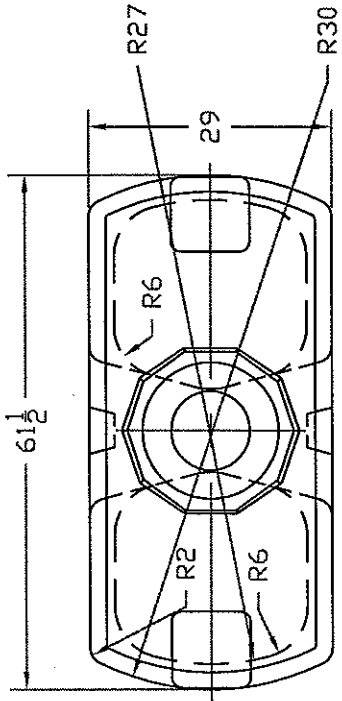


REVISIONS				
ZONE	REV	DESCRIPTION	DATE	APPROVED



NORWESCO
ST. BONIFACIUS, MN

300 GALLON

FREESTANDING WATER TANK

SIZE	FSCM NO.	DWG NO.	REV
B			

JTP 11JUL03

SCALE 1/16

SHEET