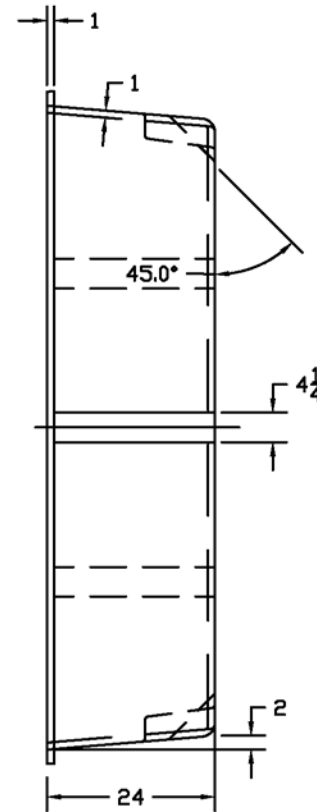
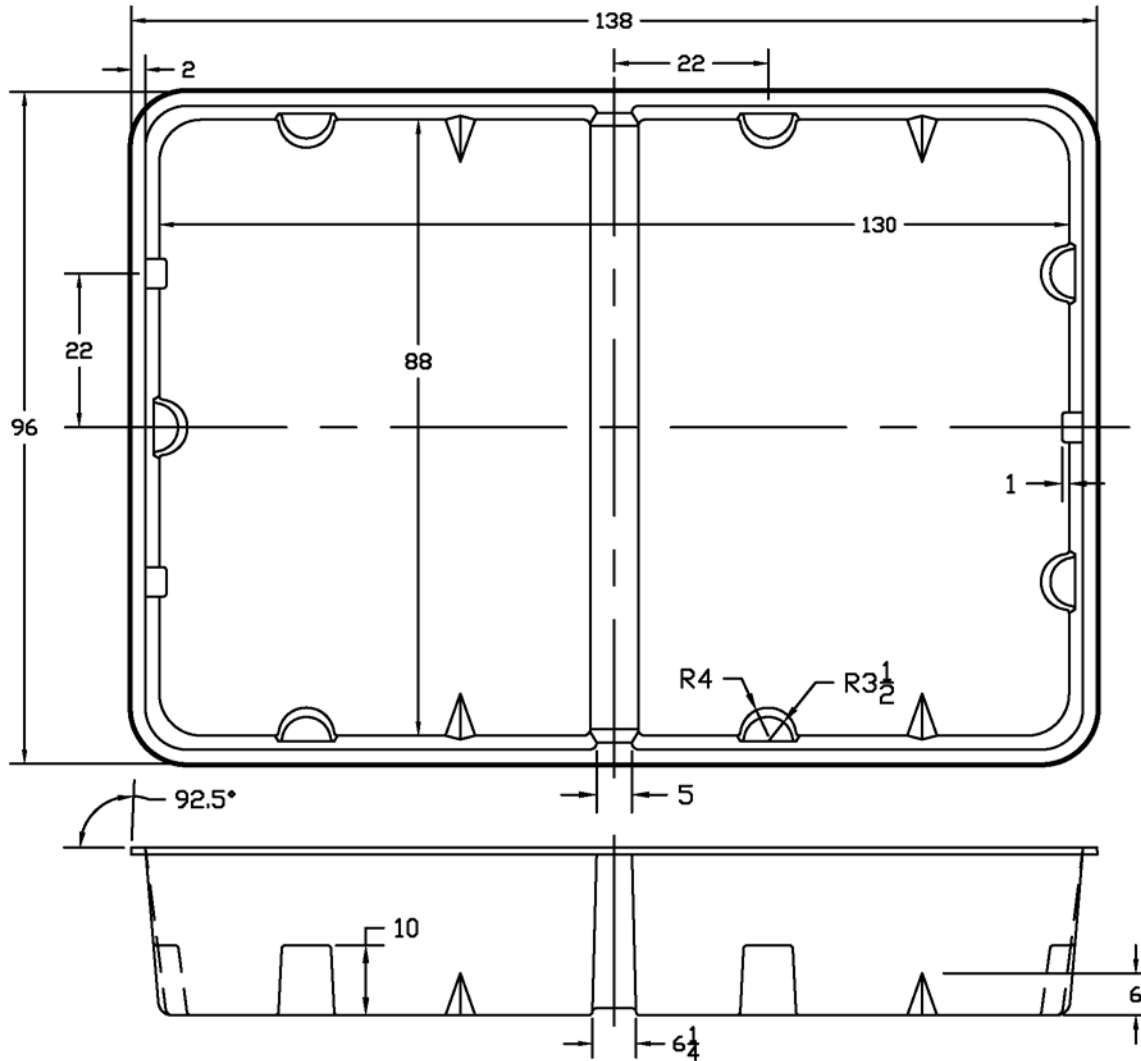


REVISIONS				
ZONE	REV	DESCRIPTION	DATE	APPROVED
	A	REVISED & REDRAWN	01JUN04	



1100 IMPERIAL GALLON BASIN					
JTP	01NOV02	SIZE B	FSCM NO.	DWG NO. 41835	REV A
SCALE 1/20				SHEET	