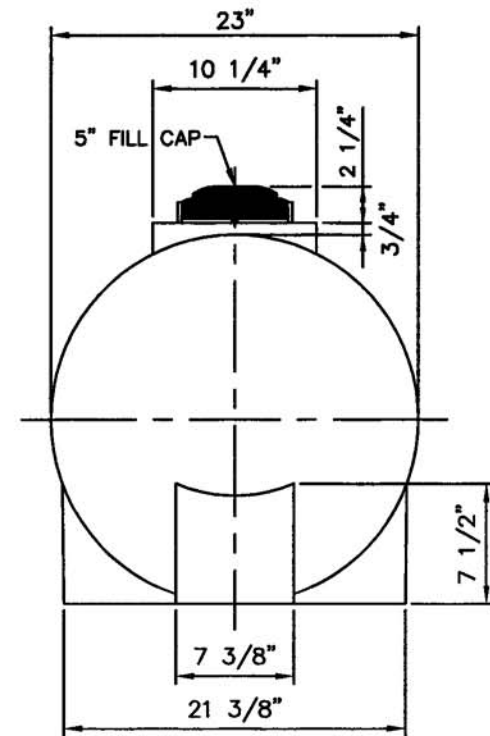
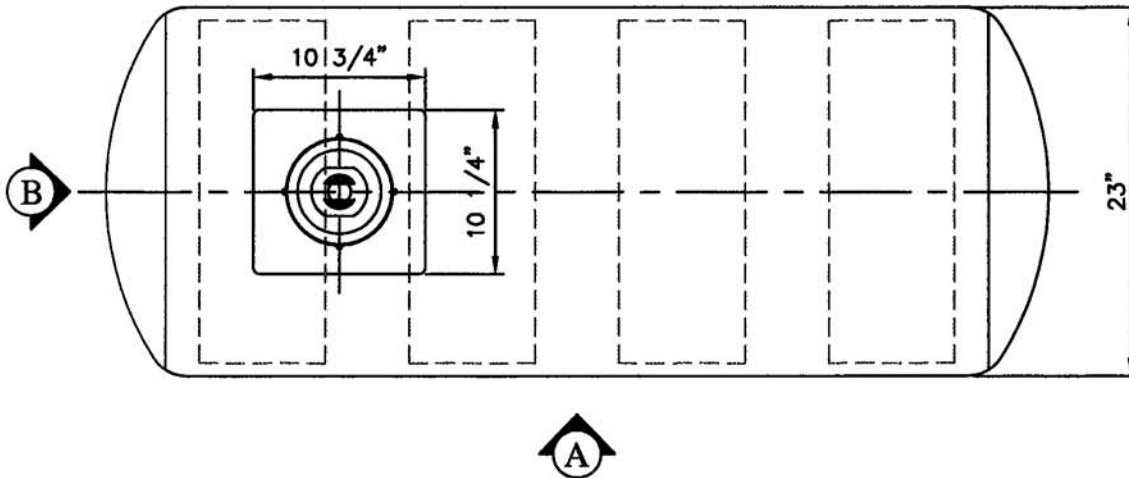



VIEW A



VIEW B



NOTE:
ALL DIMENSIONS ARE IN INCHES UNLESS OTHERWISE SPECIFIED

		
80 IMPERIAL GALLON LEG TANK		
DWG NO:		REV
SCALE:	1:12	