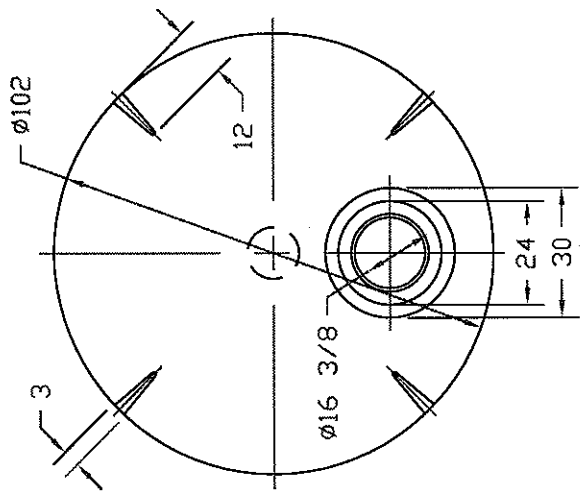
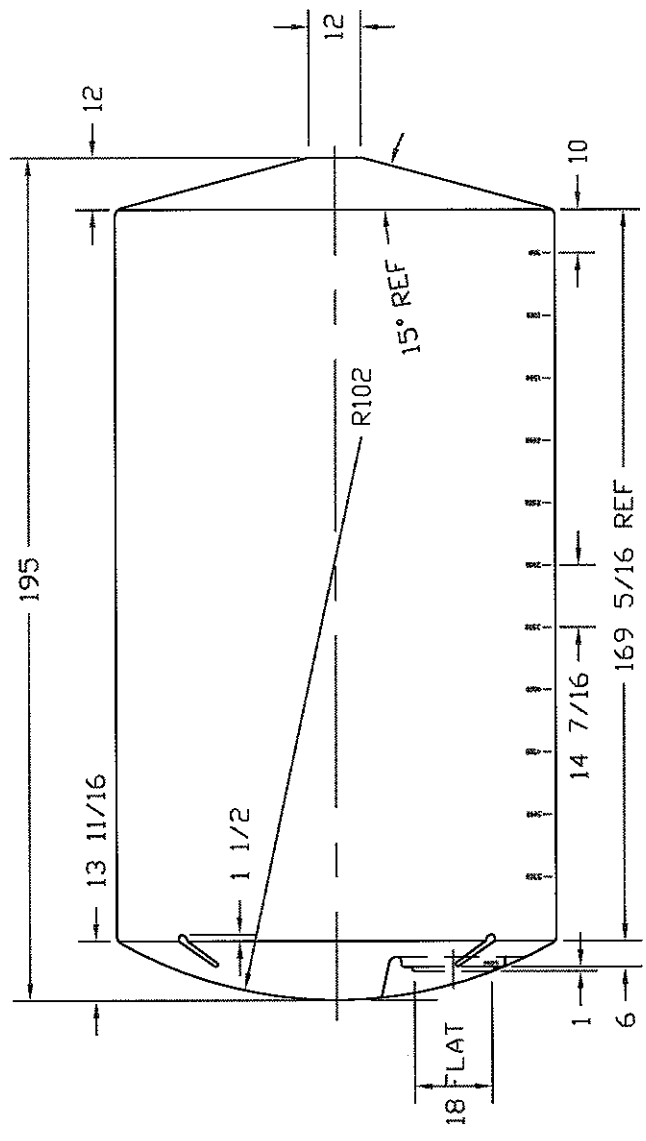


REVISIONS		DATE	APPROVED
ZONE	REV		
DESCRIPTION			



NORWESCO		ST. BONIFACIUS, MN	
6000 GALLON CONE		BOTTOM STORAGE TANK	
JTP	17NOV98	FSCM NO.	DWG NO.
B			
SCALE 1/32		SHEET	