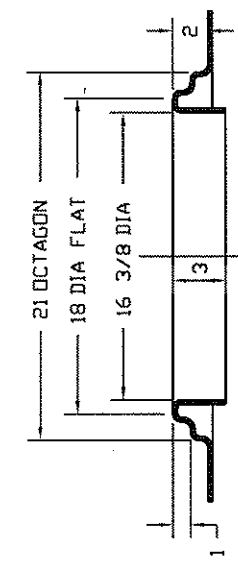
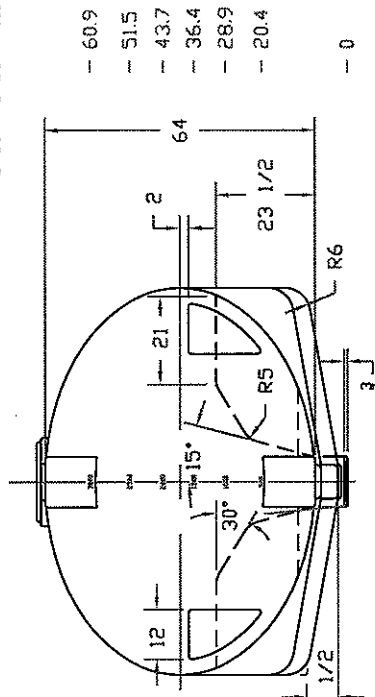
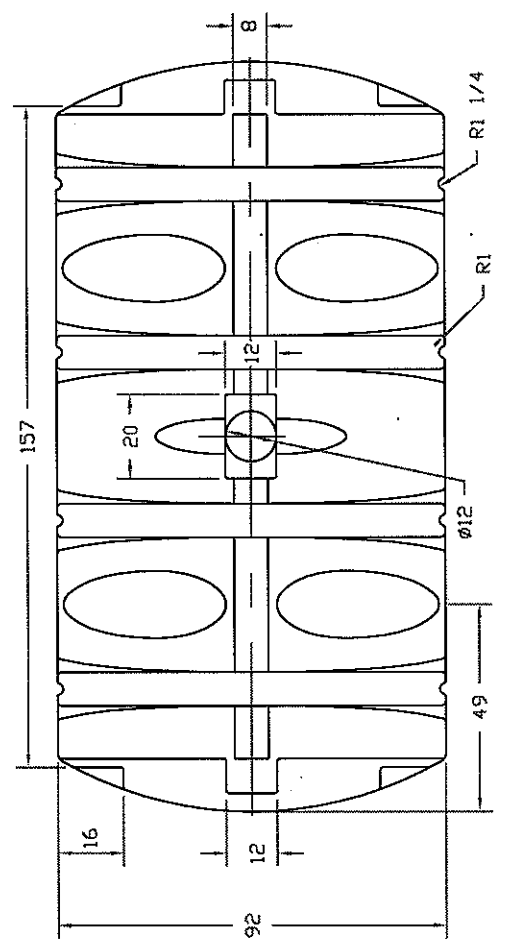
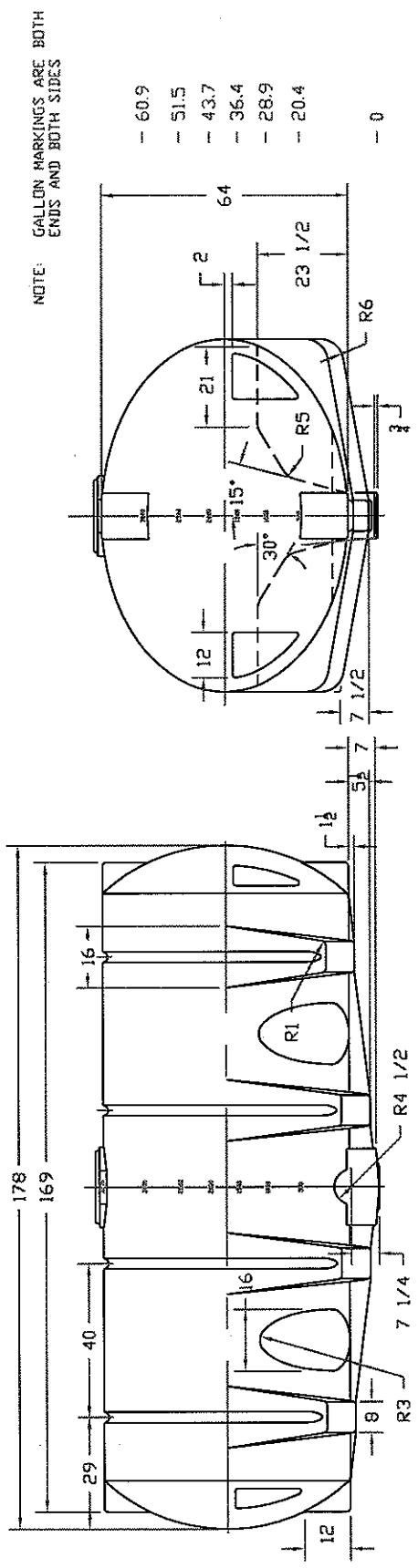


REVISED		DATE		APPROVED	
ZONE	REV	DESCRIPTION	DATE	DATE	APPROVED



FILL OPENING DETAILS
1/8 SCALE

NORWESCO
ST. BONIFACIUS, MN

3210 GALLON ELLIPTICAL DRAINABLE LEG TANK

JTP	07MAY99	SIZE	FSCM NO.	DWG NO.	REV
		B			

SCALE 1/32 SHEET