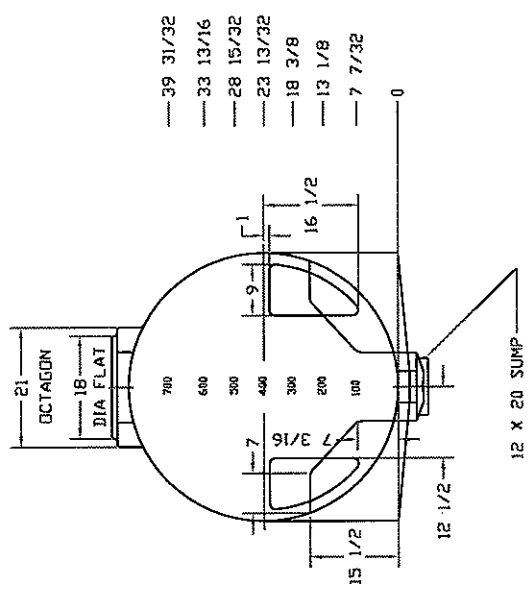
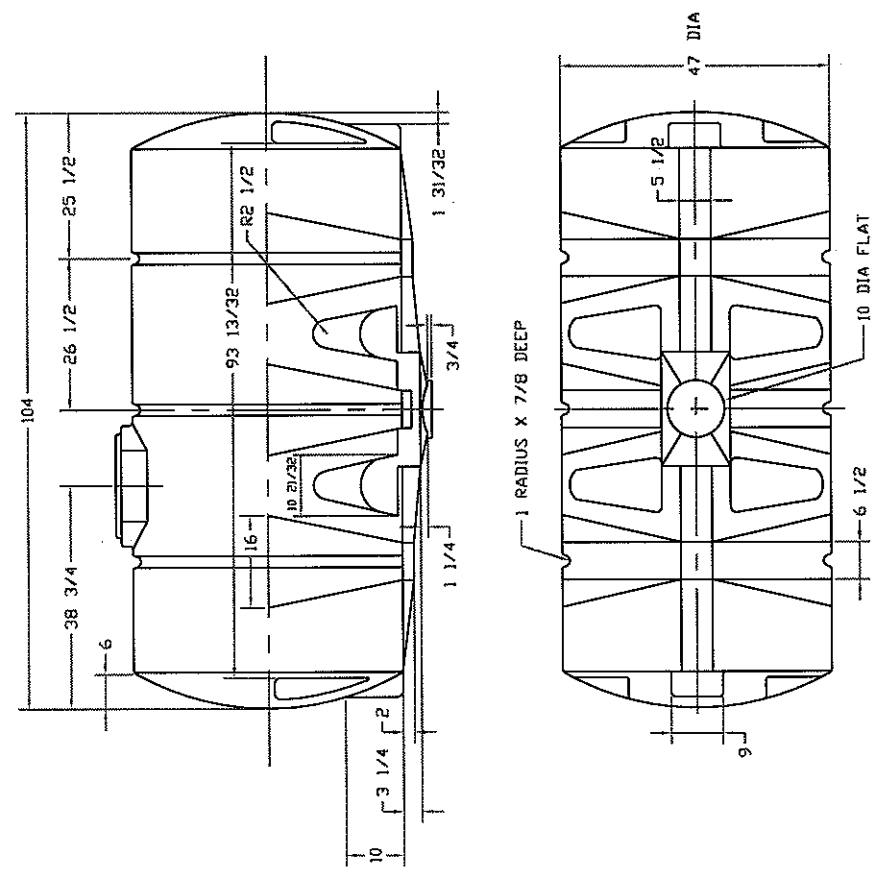
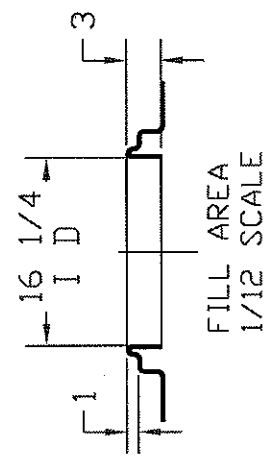


REVISIONS		
ZONE	REV	DESCRIPTION

DATE	APPROVED



- 39 31/32
- 33 13/16
- 28 15/32
- 23 13/32
- 18 3/8
- 13 1/8
- 7 7/32
- 0



NORWESCO
 ST. BONIFACIUS, MN
 710 GAL. HORIZONTAL
 DRAINABLE TANK

SIZE	FSCM NO.	DWG NO.	REV
B			

JTP 2MAY95

SCALE 1/24

SHEET