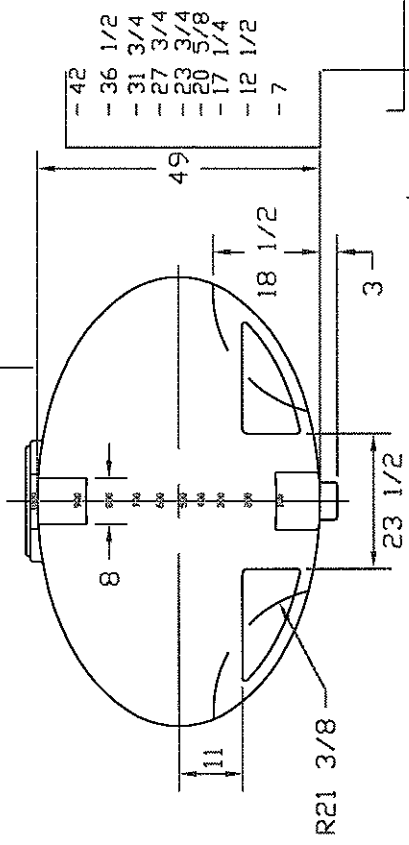
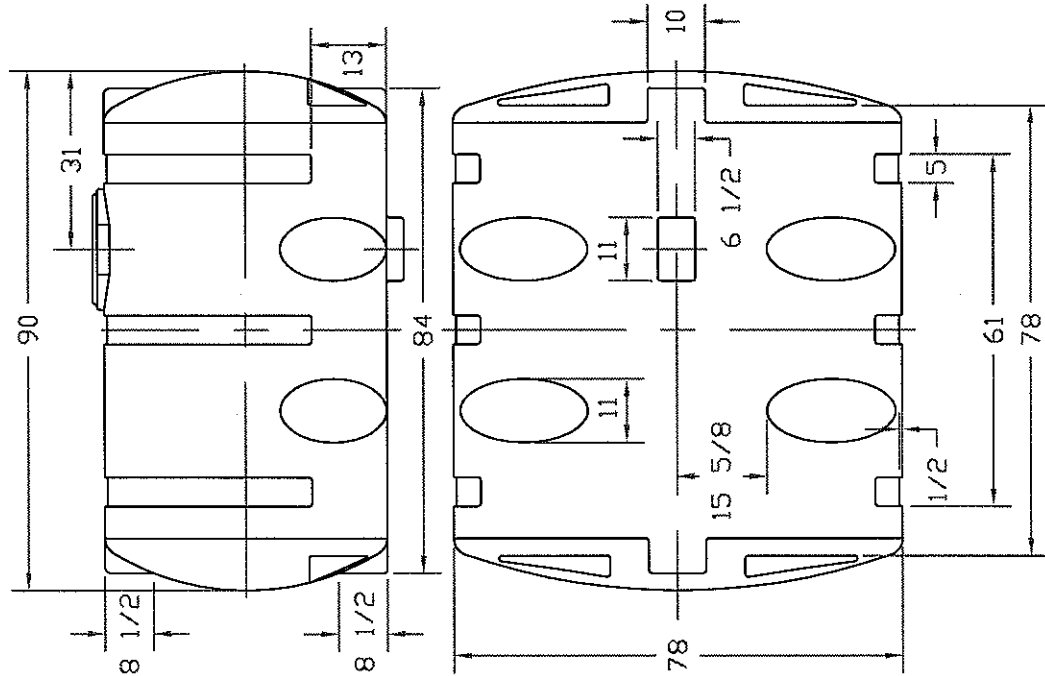
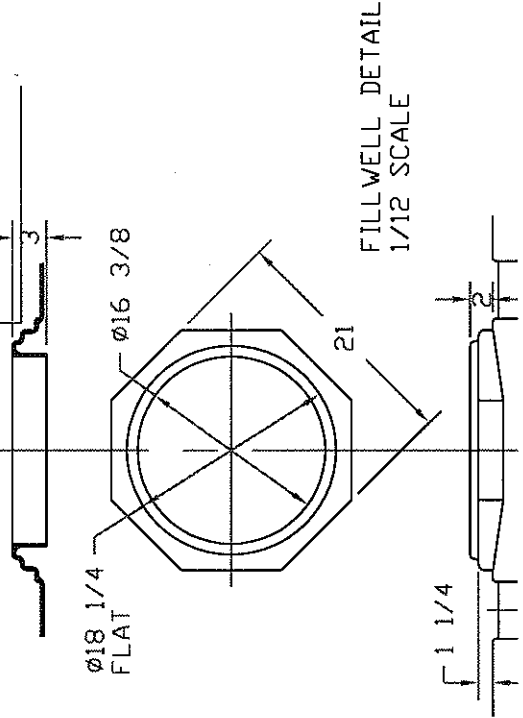


| REVISIONS | | DATE | APPROVED |
|-----------|-----|-------------|----------|
| ZONE | REV | DESCRIPTION | |
| | A | REDRAWN | 22OCT97 |



- 42
- 36 1/2
- 31 3/4
- 27 3/4
- 23 3/4
- 20 5/8
- 17 1/4
- 12 1/2
- 7



NORWESCO
 ST. BONIFACIUS, MN
 1000 GALLON
 ELLIPTICAL TANK

JTP 22OCT97 SCALE 1/24 SHEET

SIZE B FSCM NO. DWG NO.