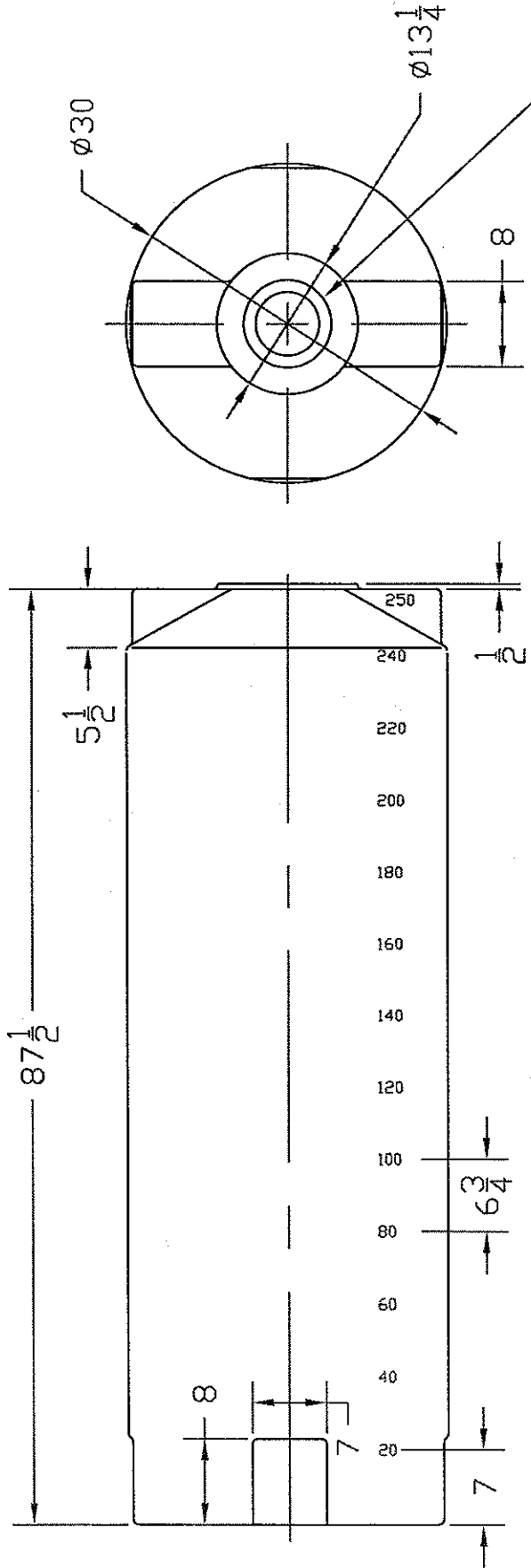


REVISIONS

ZONE	REV	DESCRIPTION	DATE	APPROVED



8 1/4 ACME THREAD, RH →

**NORWESCO**  
ST. BONIFACIUS, MN

250 GALLON VERTICAL  
TANK X 30 DIA

JTP 07AUG03	SIZE A	FSCM NO.	DWG NO.	REV
SCALE 1/16			SHEET	