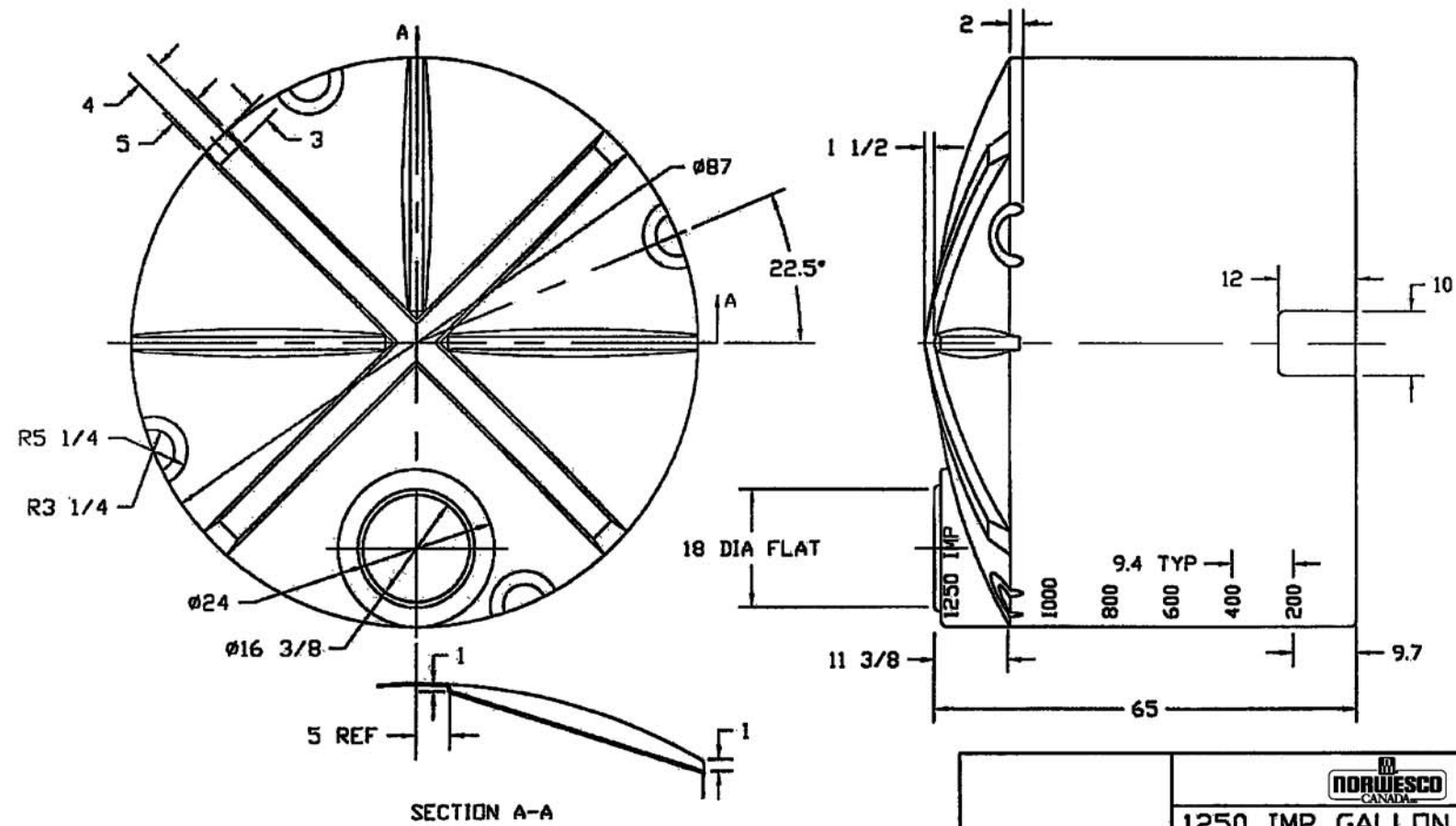


REVISIONS				
ZONE	REV	DESCRIPTION	DATE	APPROVED
	A	REDRAWN W/ RIBBED TOP	20CT96	



		NORWESCO CANADA	
1250 IMP GALLON VERTICAL TANK			
JTP	020CT96	SIZE B	REV
		FORM NO.	ORIG NO.
		41221	41223/41225
		SCALE 1/16	SHEET
		41219	