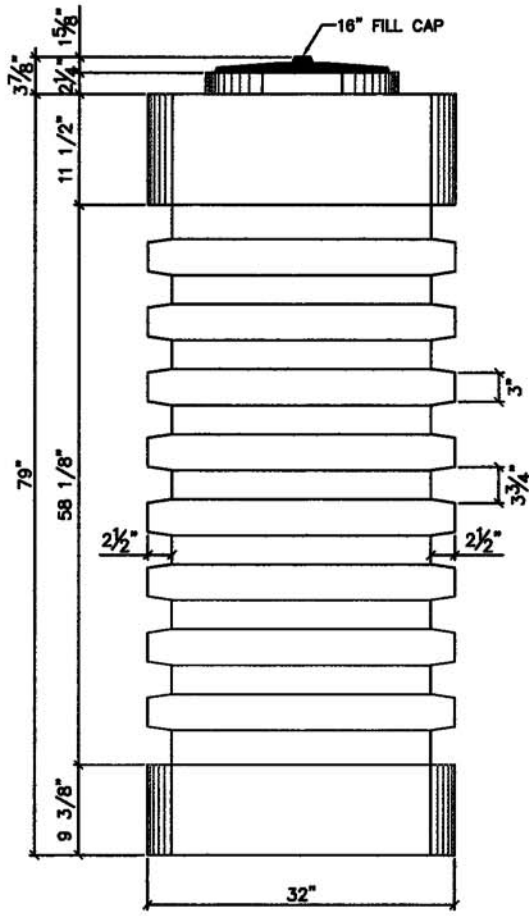
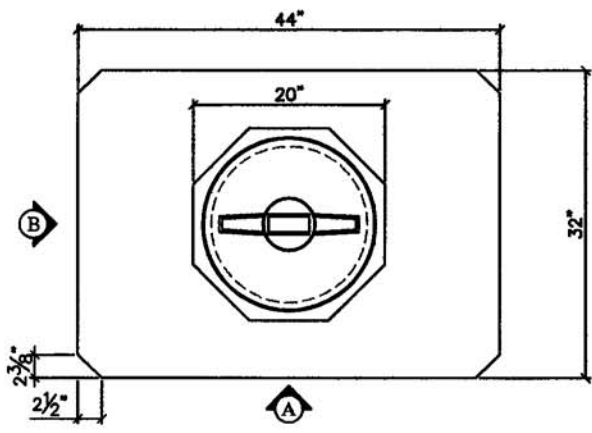



VIEW A



VIEW B



**NOTE:**  
ALL DIMENSIONS ARE IN INCHES UNLESS OTHERWISE SPECIFIED

|   |      |     |
|---|------|-----|
|  |      |     |
| 330 IMPERIAL GALLON<br>(RG 400)   |      |     |
| DWG NO:   |      | REV |
| SCALE:  | 1:20 |     |