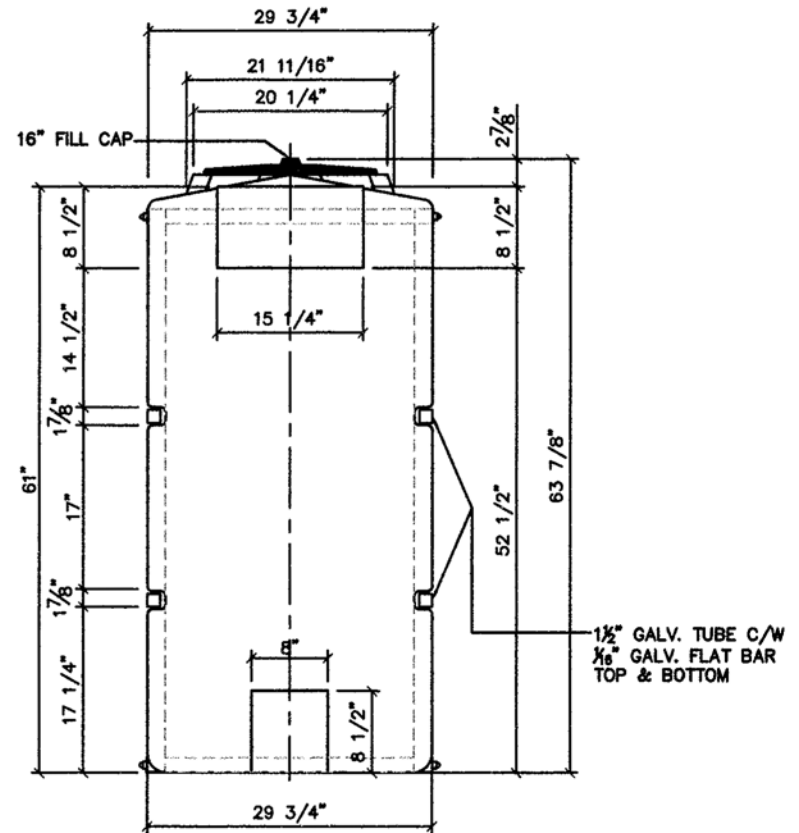
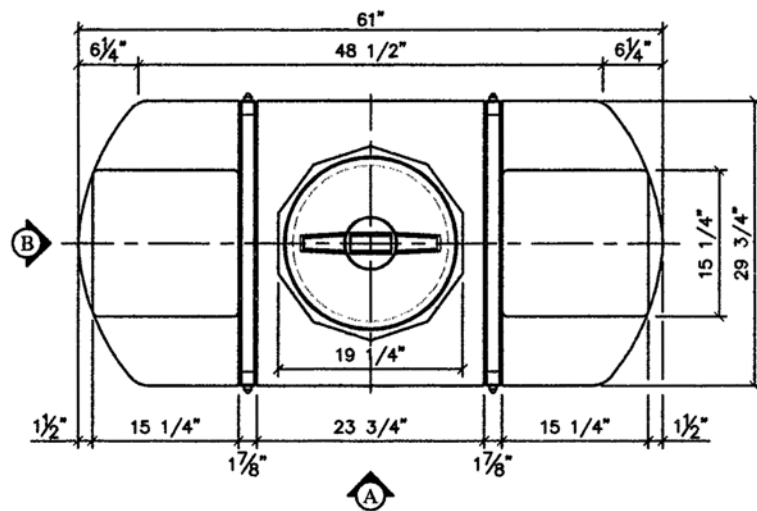


VIEW A



VIEW B



VIEW A

NOTE:
ALL DIMENSIONS ARE IN INCHES UNLESS
OTHERWISE SPECIFIED



**350 IMPERIAL GALLON
STORAGE TANK**

DWG NO:		REV
SCALE:	1:20	