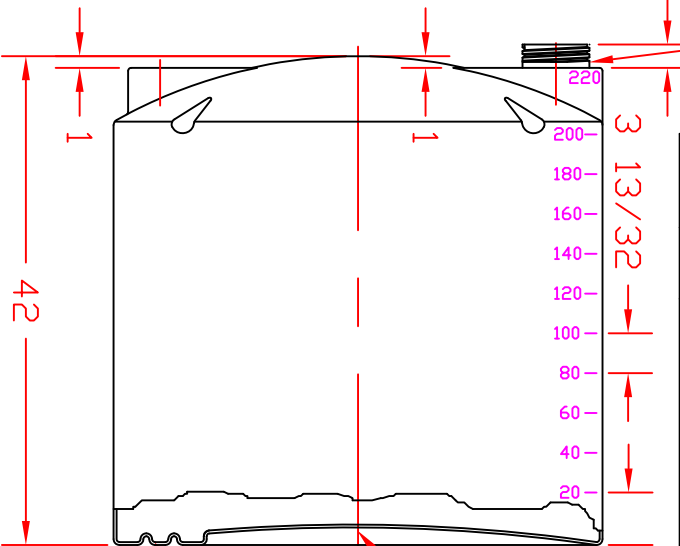
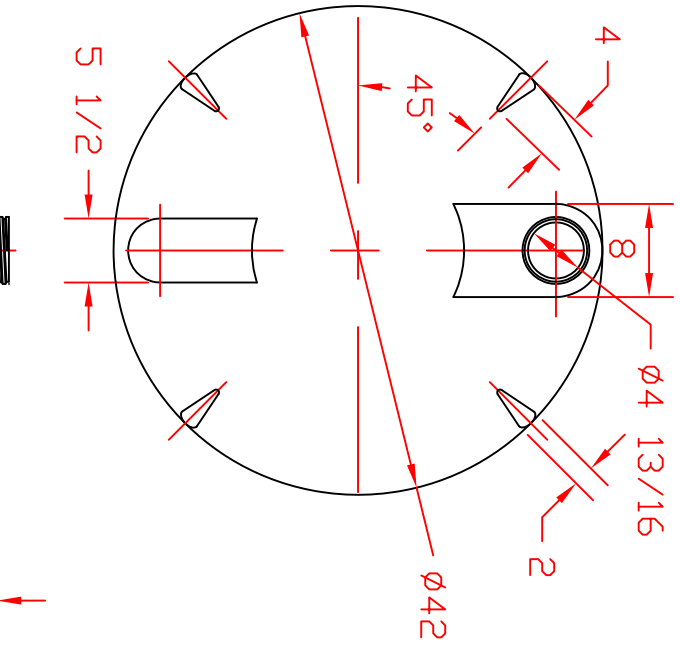
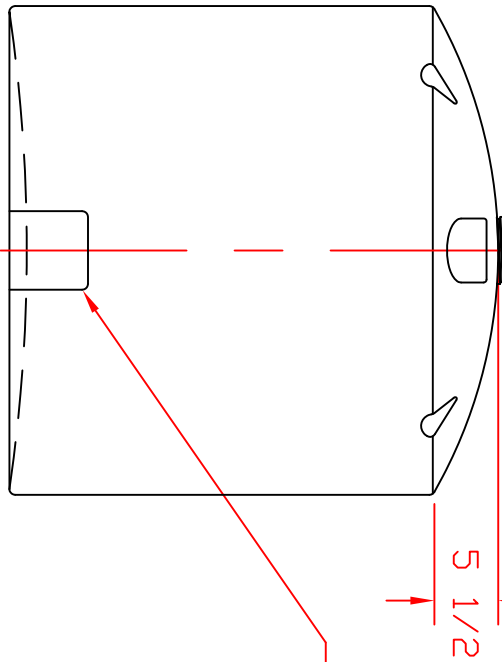


REVISIONS				
ZONE	REV	DESCRIPTION	DATE	APPROVED
	B	REDRAWN	13JAN97	
	C	LID THREAD REVISED	09FEB00	
	D	WAS MINI BULK	15AUG11	

ACME THREAD
 5-3/4 MAJOR DIA
 5-3/8 MINOR DIA
 9/16 PITCH



6 3/4 X 6 3/4 FLAT



NORWESCO
 ST. BONIFACIUS, MN

220 GALLON VERTICAL TANK

JTP 13JAN97

SCALE 1/16

SHEET

REV D