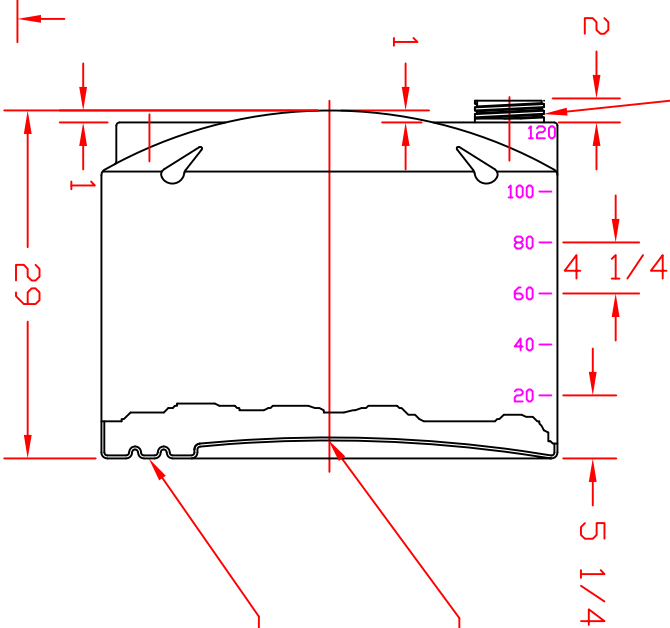
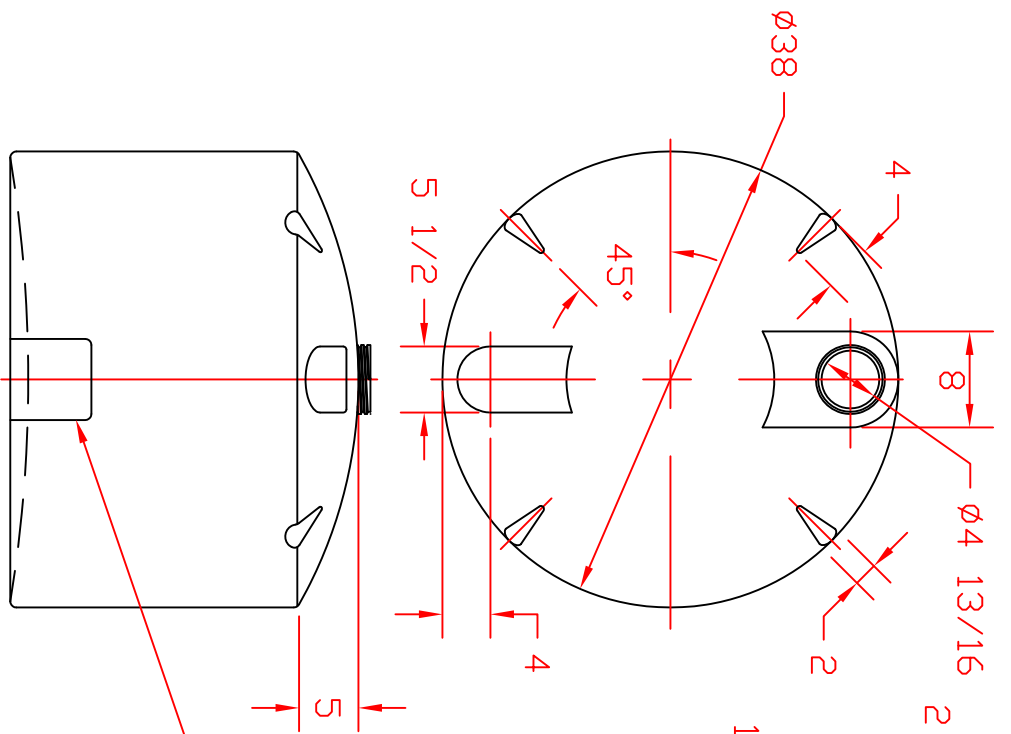


ACME THREAD  
 5-3/4 MAJOR DIA  
 5-3/8 MINOR DIA  
 9/16 PITCH



6 3/4 X 6 3/4 FLAT

1 1/2 CONCAVE  
 SUMP WITH 4-SEGMENT  
 LOCATOR FOR STANDPIPE

REVISIONS

ZONE	REV	DESCRIPTION	DATE	APPROVED
	B	REDRAWN	13JAN97	
	C	LID THREAD REVISED	09FEB00	
	D	WAS MINI BULK TANK	15AUG11	

**NORWESCO**  
 ST. BONIFACIUS, MN

120 GALLON VERTICAL TANK

JTP 13JAN97

SCALE 1/16

SHEET

REV D