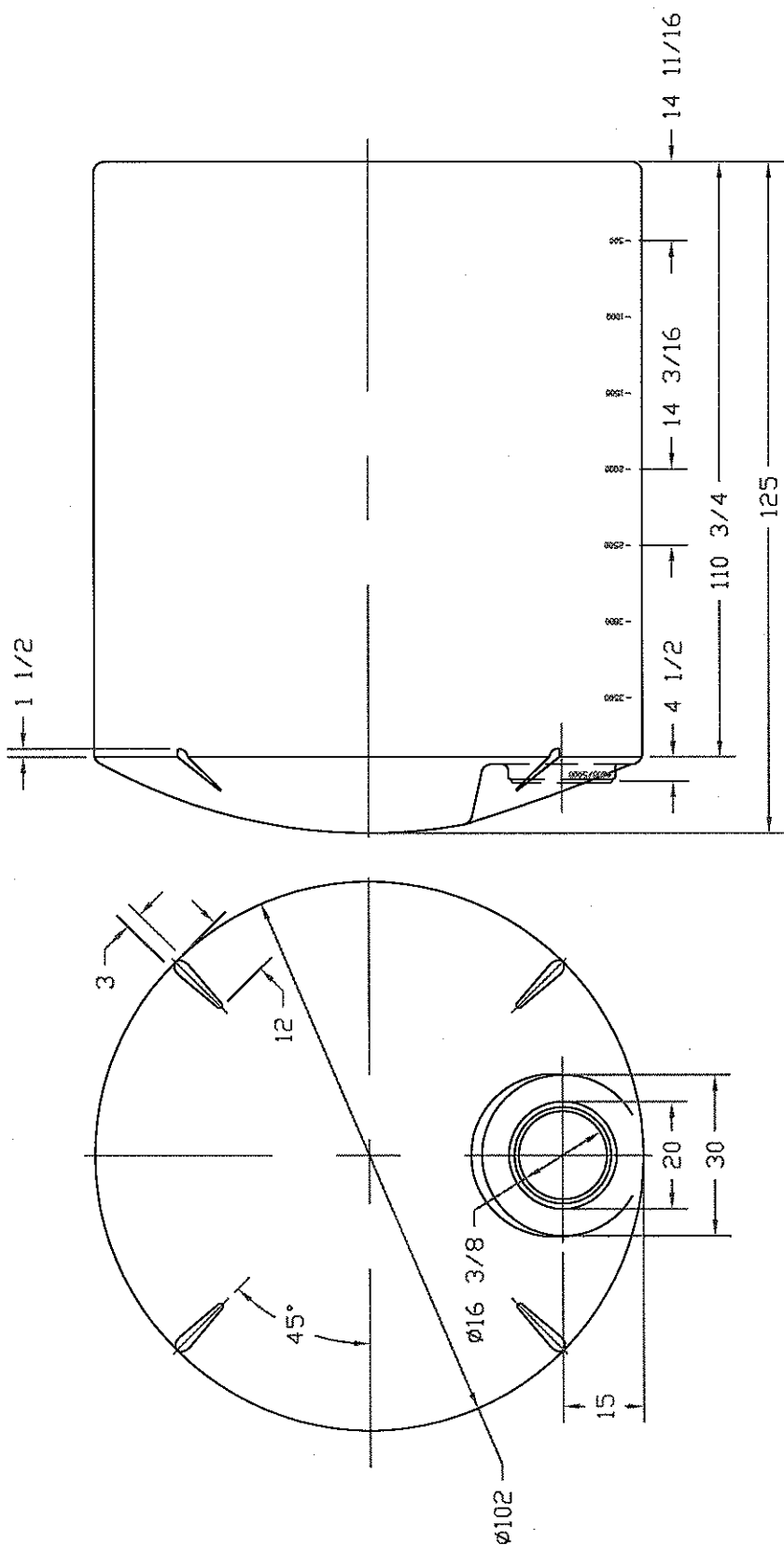


REVISIONS			
ZONE	REV	DESCRIPTION	DATE
	A	REDRAWN	14AUG97
			APPROVED



NORWESCO		ST. BONIFACIUS, MN	
4000 GALLON VERTICAL		STORAGE TANK	
JTP	14AUG97	FSCM NO.	DWG NO.
		B	A
SCALE 1/24		SHEET	