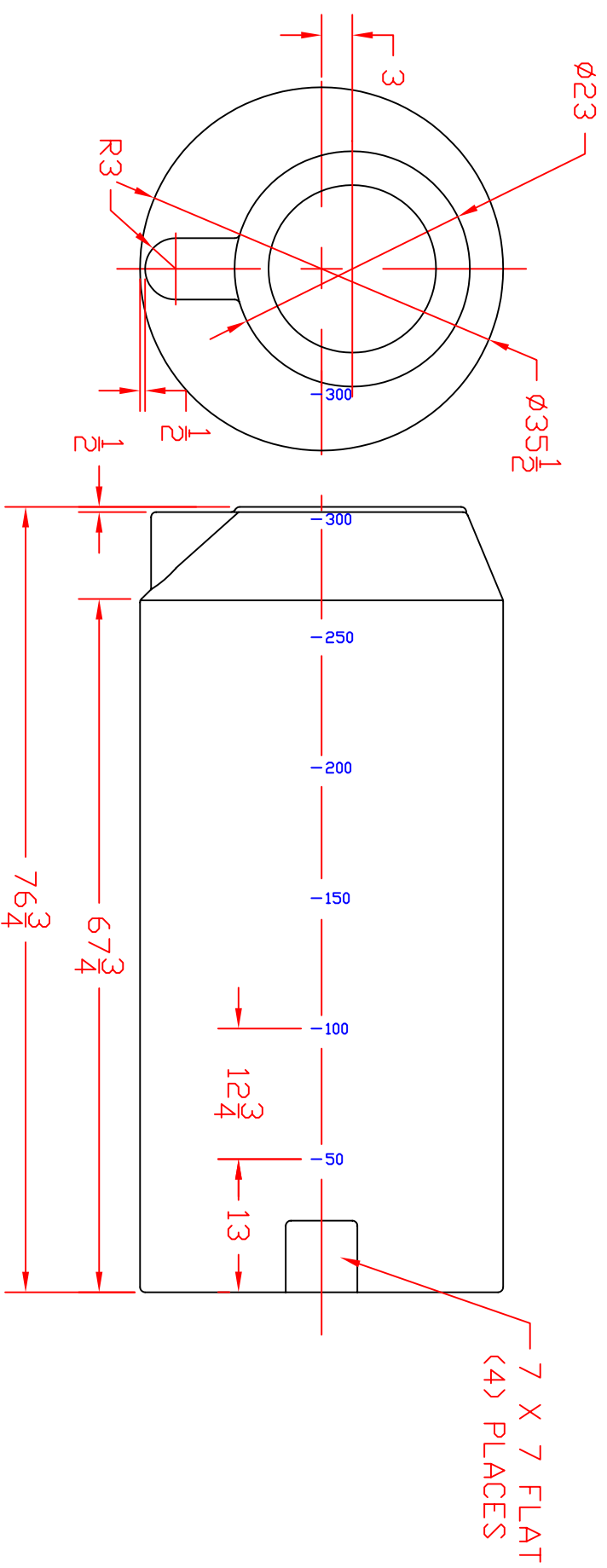


REVISIONS				
ZONE	REV	DESCRIPTION	DATE	APPROVED
	B	REVISED & REDRAWN	31MAR06	



NORWESCO
 ST. BONIFACIUS, MN
 300 GALLON VERTICAL
 TANK

JTP	31MAR06	SIZE	FSCM NO.	DWG NO.	REV
		A			A
SCALE 1/16		SHEET			

FDB MN, IA & FAIRFIELD, TX