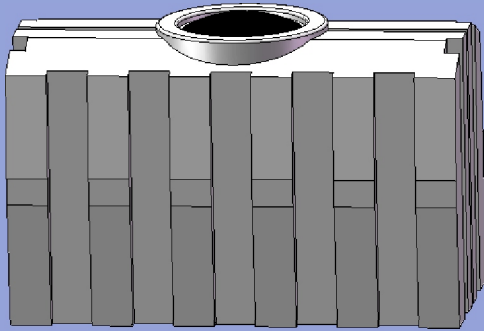
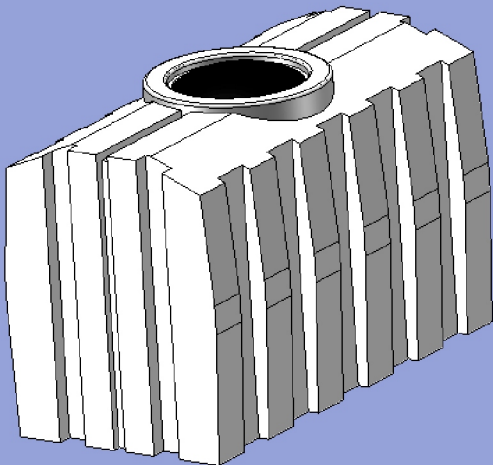


MNP190 WATER AND HAULING TANK



MNP190 Water and Hauling Tank



This 190 Imperial Gallon tank fits all sizes of truck boxes and with a 15 1/2" screw lid filler opening it can be filled rapidly from any water station.

Strong, corrosion resistant, food grade polyethylene tank.

Model	Capacity (Imp. Gal./Ltrs.)	Length (Ins.)	Width (Ins.)	Height (Ins.)	Weight (Lbs.)
MNP190	190/863	58	29	36	86

12 Rothwell Road | Winnipeg, MB, Canada | R3P 2H7

Phone: (204) 488-6075 | Fax: (204) 488-2376