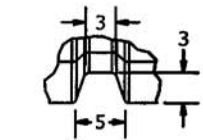
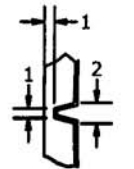
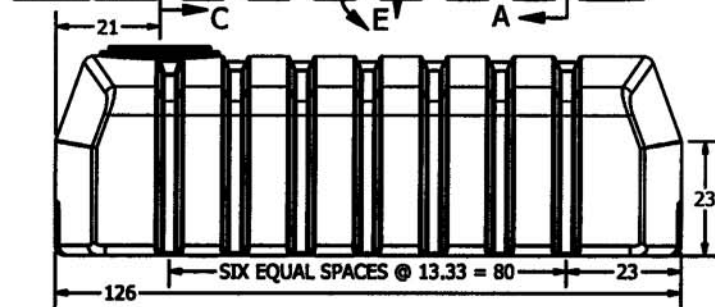


SECTION A-A  
SCALE 1:24

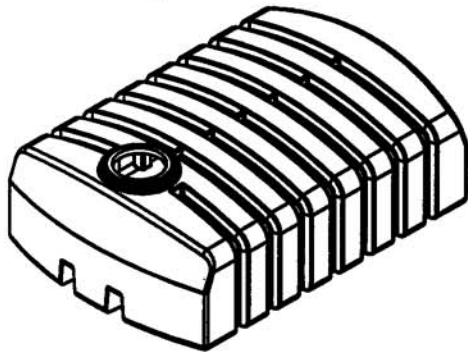


DETAIL E  
SCALE 1 / 12

SECTION F-F  
SCALE 1:24



DETAIL B  
SCALE 1 / 12



DRAWN Jerry Paulson	3/20/2009			
CHECKED				
QA		<b>1325 IMPERIAL GALLON LOW PROFILE WATER TANK</b>		
MFG				
APPROVED		SIZE B	DWG NO 42891	REV
		SCALE: 1/24	SHEET 1 OF 1	