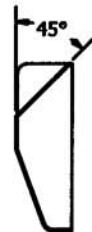
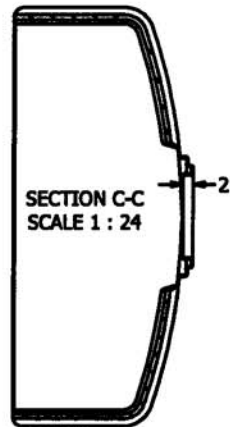
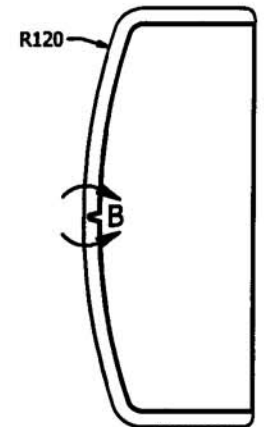
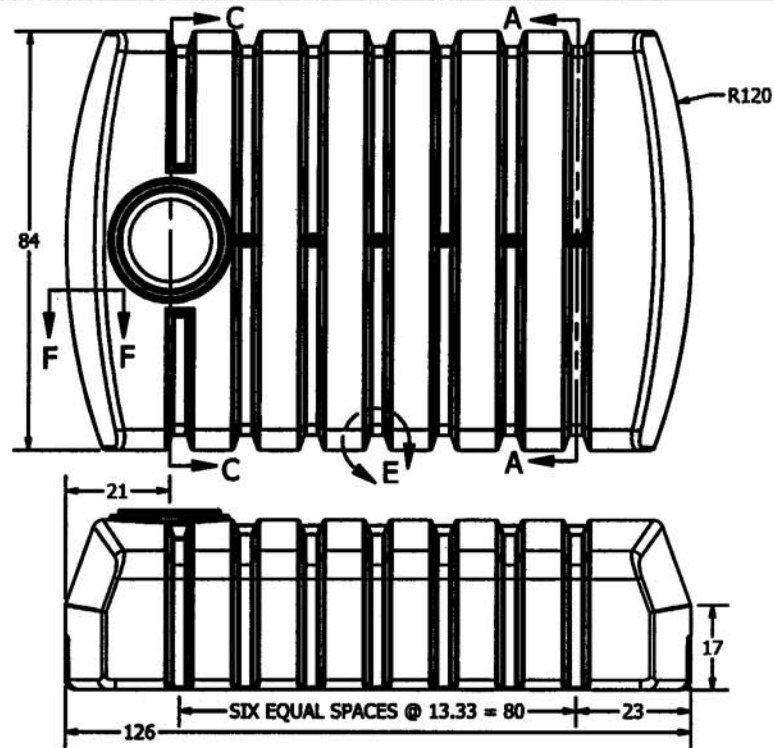


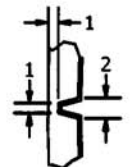
DETAIL E
SCALE 1 / 12



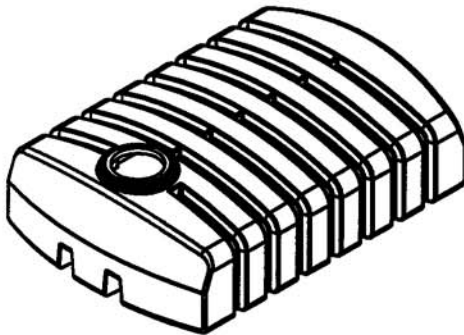
SECTION F-F
SCALE 1 : 24



SECTION A-A
SCALE 1 : 24



DETAIL B
SCALE 1 / 12



DRAWN Jerry Paulson	3/23/2009			
CHECKED				
QA		1075 IMPERIAL GALLON LOW PROFILE WATER TANK		
MFG				
APPROVED		SIZE B	DWG NO 42890	REV
SCALE: 1/24		SHEET 1 OF 1		