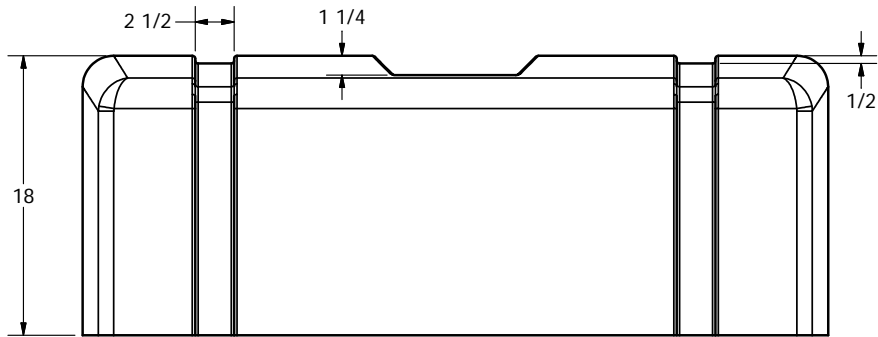
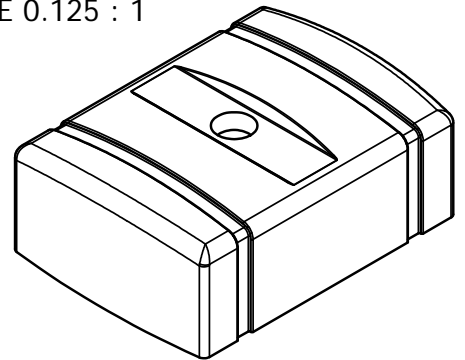



SECTION A-A
SCALE 0.125 : 1



DRAWN Jerry Paulson	11/21/2008		
CHECKED		NORWESCO, INC., ST. BONIFACIUS, MN	
QA		TITLE	
MFG		110 GALLON LOW PROFILE UTILITY TANK	
APPROVED		SIZE B	DWG NO
		SCALE: 1/8	REV
			SHEET 1 OF 1